

APACHE-ARROW

WINNER APRIL 1979
 DESIGN OF THE MONTH CONTEST
 By: MILES CONKLIN, Highland, MI

SKILL LEVEL 2

PARTS LIST

A	2	Body Tube (BT-5)	3070
B	1	Nose Cone (BNC-5W)	8003
C	1	Fin Stock (BFS-20)	3164
D	2	Launch Lugs (LL-2A)	2321
E	1	Screw Eye (SE-3)	2281
F	1	Shock Cord (SC-3)	85744
G	2	Stage Coupler (JT-5C)	3050
H	1	Parachute (PK-8)	2261

ADDITIONAL MATERIALS

White glue, sanding sealer, spray paint, sandpaper, hobby knife, ruler, sharp pencil.

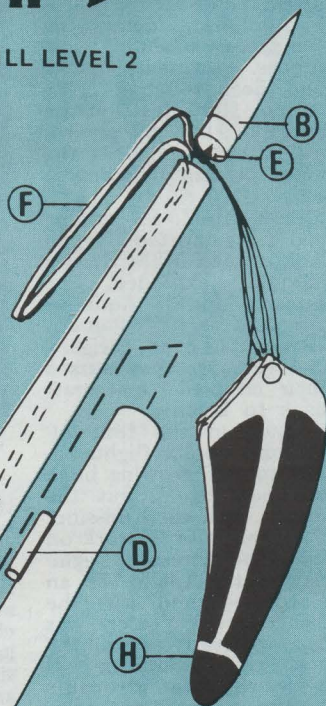
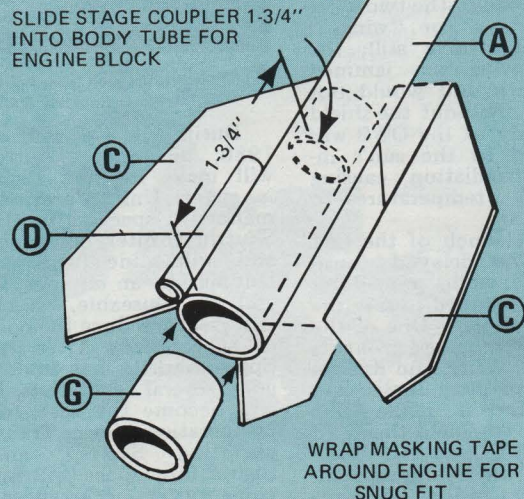
RECOMMENDED ENGINES

A3-4T (First Flight) A10-3T

PAINTING

Nose cone - Black
 Body Tubes - Yellow
 Multi-colored stripes
 around body tube
 above fins.

SLIDE STAGE COUPLER 1-3/4"
 INTO BODY TUBE FOR
 ENGINE BLOCK



MOUNT SHOCK CORD AT REAR
 OF BODY TUBE TO PREVENT
 PARACHUTE BLOCKAGE

FIN PATTERN SHOWN
 ACTUAL SIZE

