

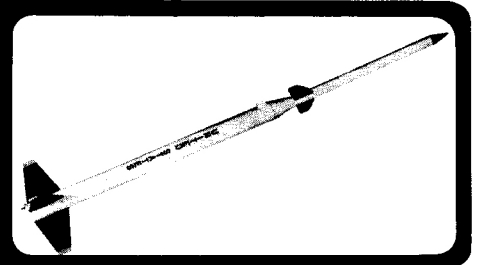
# Estes Industries Rocket Plan No. 62

## MARK - IV

### DESIGN OF THE MONTH WINNER

#### JANUARY '69

Pete Eri Ridgewood, N.J.

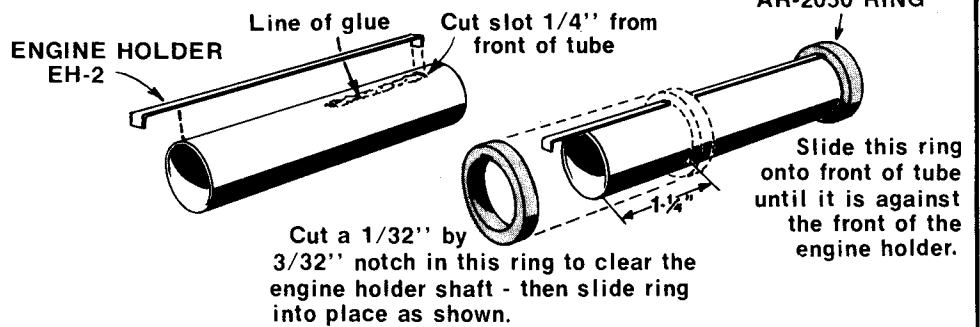


PUBLISHED AS A SERVICE TO ITS CUSTOMERS BY ESTES INDUSTRIES, INC., BOX 227, PENROSE, CO. 81240 ESTES INDUSTRIES 1969

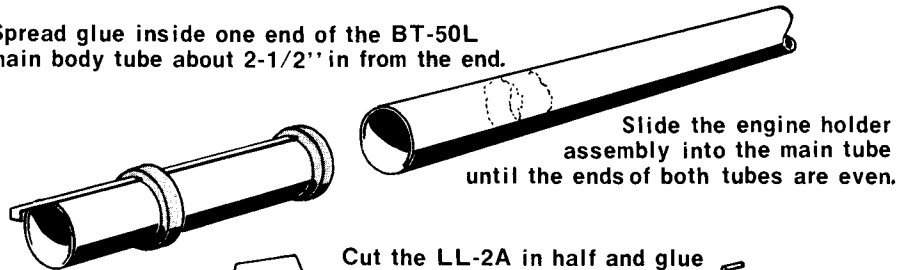
## PARTS LIST

|   |                       |         |
|---|-----------------------|---------|
| 1 | Balsa nose cone       | BNC-5S  |
| 1 | Body tube             | BT-50L  |
| 1 | Body tube (8')        | BT-5    |
| 1 | Body tube             | BT-20J  |
| 1 | Sheet balsa fin stock | BFS-20L |
| 2 | Centering rings       | AR-2050 |
| 1 | Engine holder         | EH-2    |
| 1 | Launching lug         | LL-2A   |
| 1 | Screw eye             | SE-2    |
| 1 | Shock cord            | SC-1    |
| 1 | 12'' Parachute kit    | PK-12   |

## ASSEMBLY OF LOWER BODY UNIT

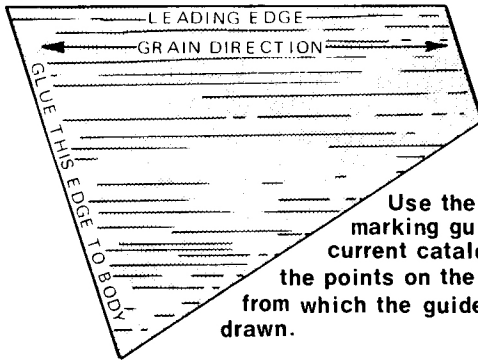


Spread glue inside one end of the BT-50L main body tube about 2-1/2" in from the end.



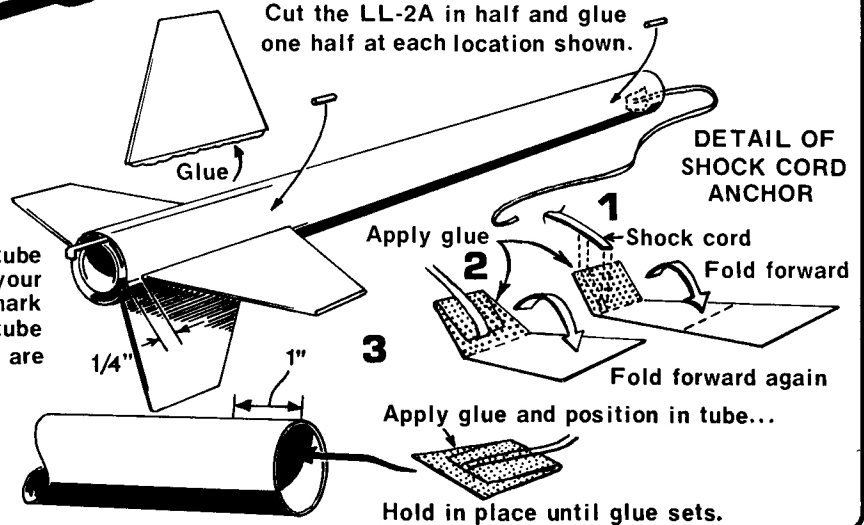
Trace this pattern onto heavy paper and cut out the tracing. Lay out four fins on the balsa fin stock and cut them out.

Sand fin leading and trailing edges round. Tip and root edges are sanded flat.



Use the body tube marking guide in your current catalog to mark the points on the body tube from which the guide lines are drawn.

Cut the LL-2A in half and glue one half at each location shown.



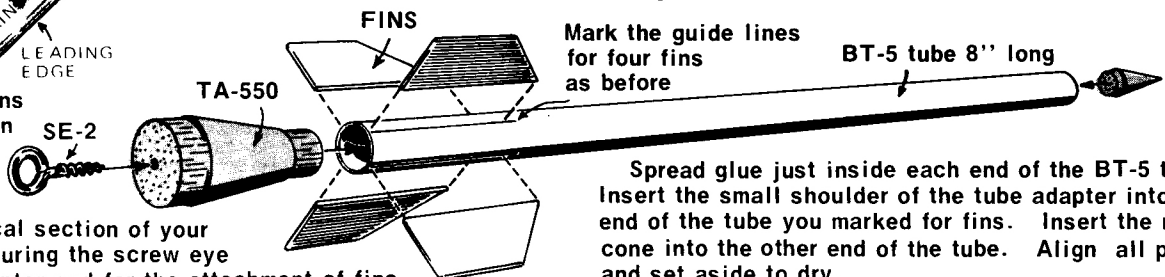
Trace this pattern onto heavy paper and cut out



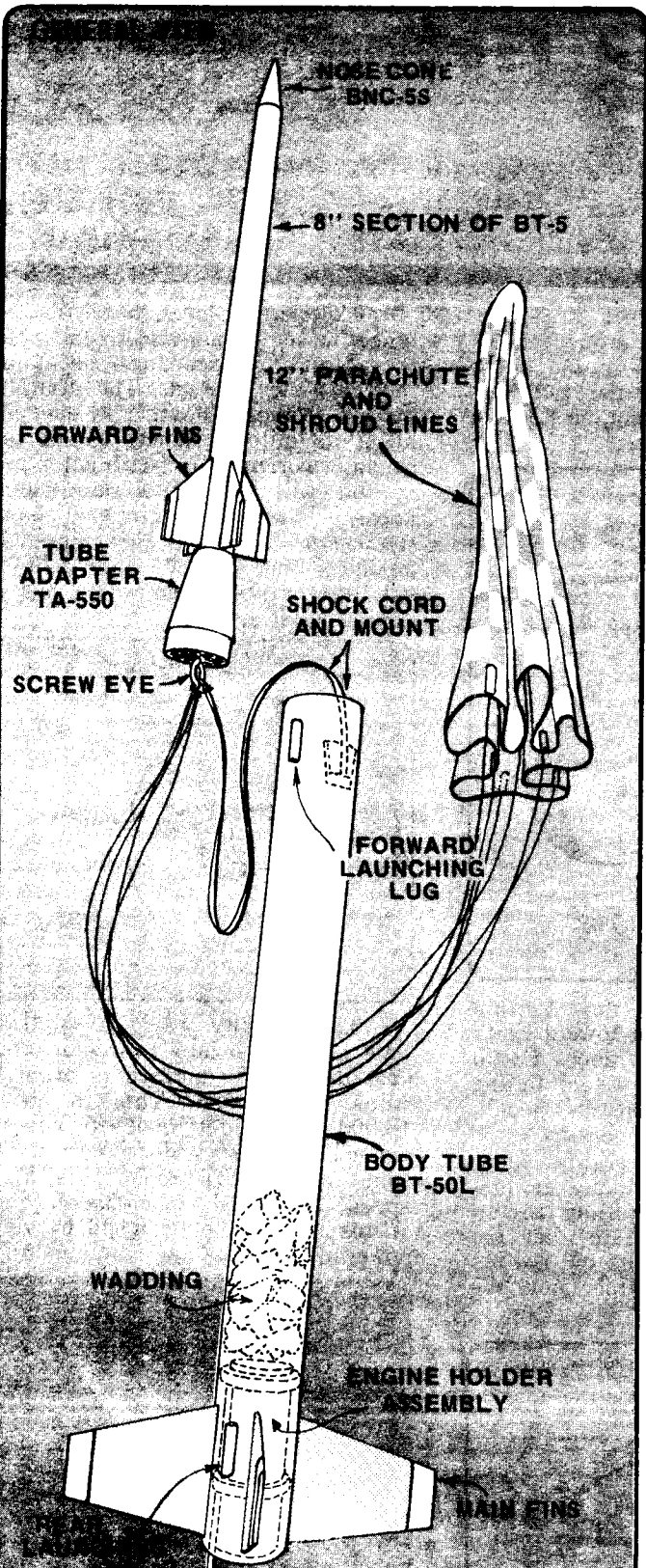
Lay out four fins on the balsa fin stock and cut them out

See the technical section of your catalog for securing the screw eye in the tube adapter and for the attachment of fins

Sand these fins same as you did the lower body fins.

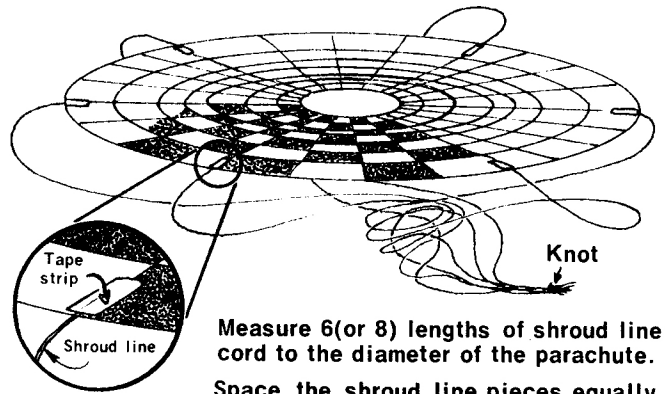


Spread glue just inside each end of the BT-5 tube. Insert the small shoulder of the tube adapter into the end of the tube you marked for fins. Insert the nose cone into the other end of the tube. Align all parts and set aside to dry.



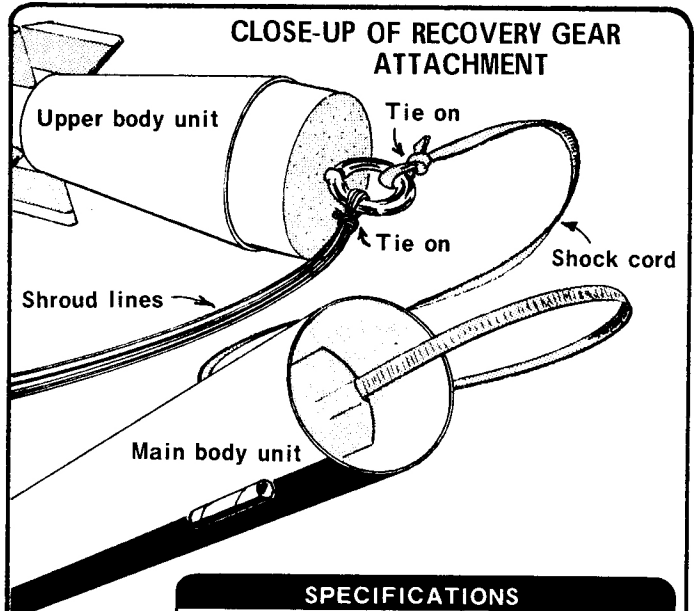
| PERFORMANCE CROSS-SECTION OF THE MARK IV |                  |
|--|------------------|
| RECOMMENDED ENGINE                       | AVERAGE ALTITUDE |
| 1/2A6-2                                  | 100 feet         |
| A8-3                                     | 250 feet         |
| B6-4                                     | 538 feet         |
| C6-5                                     | 940 feet         |

### PARACHUTE ASSEMBLY



Measure 6 (or 8) lengths of shroud line cord to the diameter of the parachute. Space the shroud line pieces equally around the edge of the parachute holding each line in place with a tape strip. Gather the free ends of the lines and tie together.

### CLOSE-UP OF RECOVERY GEAR ATTACHMENT



### SPECIFICATIONS

|                |                 |
|----------------|-----------------|
| LENGTH:        | 23.25"          |
| FIN SPAN:      | 5.30"           |
| BODY DIAMETER: | 0.976"          |
| WEIGHT:        | 1.125 Oz.       |
| RECOVERY GEAR: |                 |
| STANDARD;      | 12" PARACHUTE   |
| OPTION;        | 3-FOOT STREAMER |

### PAINTING DETAIL

