

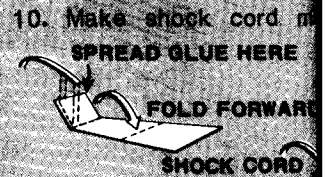
GIGANTIROC 2-A

7ft. 3in. tall

by Jimmy J. Johnson, N.A.R. #11060
 Member of Robert Goddard Model Rocket
 Research Society
 Prince Fredrick, Maryland

November 1970 Design of the Month
 Honorable Mention

ESTES INDUSTRIES ROCKET PLAN NO. 74



Construct this model with Estes High Performance Model Rocketry Supplies

PARTS LIST

- A. 1 Body Tube 18"BT-60
- B. 1 Body Tube 18"BT-55
- C. 1 Body Tube 18"BT-20
- D. 3 Body Tube 18"BT-5
- E. 1 Nose BlockNB-60
- F. 1 Nose ConeBNC-5W
- G. 1 Balsa AdapterTA-5560
- H. 1 Balsa AdapterTA-2055
- I. 2 Fin Stock (2 Sheets)BFS-40L
- J. 2 Launch LugsLL-2B
- K. 3 Parachute KitPK-24
- L. 1 Screw EyeSE-1
- M. 1 Shock CordSC-3
- N. 1 Multi-Purpose Paper Adapter SetTA-1
- O. 1 Engine MountEM-5063

In addition to the parts listed above, you will also need a modeling knife, scissors, sandpaper, a brush and paints, sanding sealer, and white glue.

SPECIFICATIONS

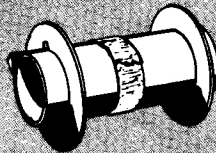
Length.....87"
 Body Diameter.....1.637"
 Weight.....4 ozs.

RECOMMENDED ENGINES

D12-3 D12-5

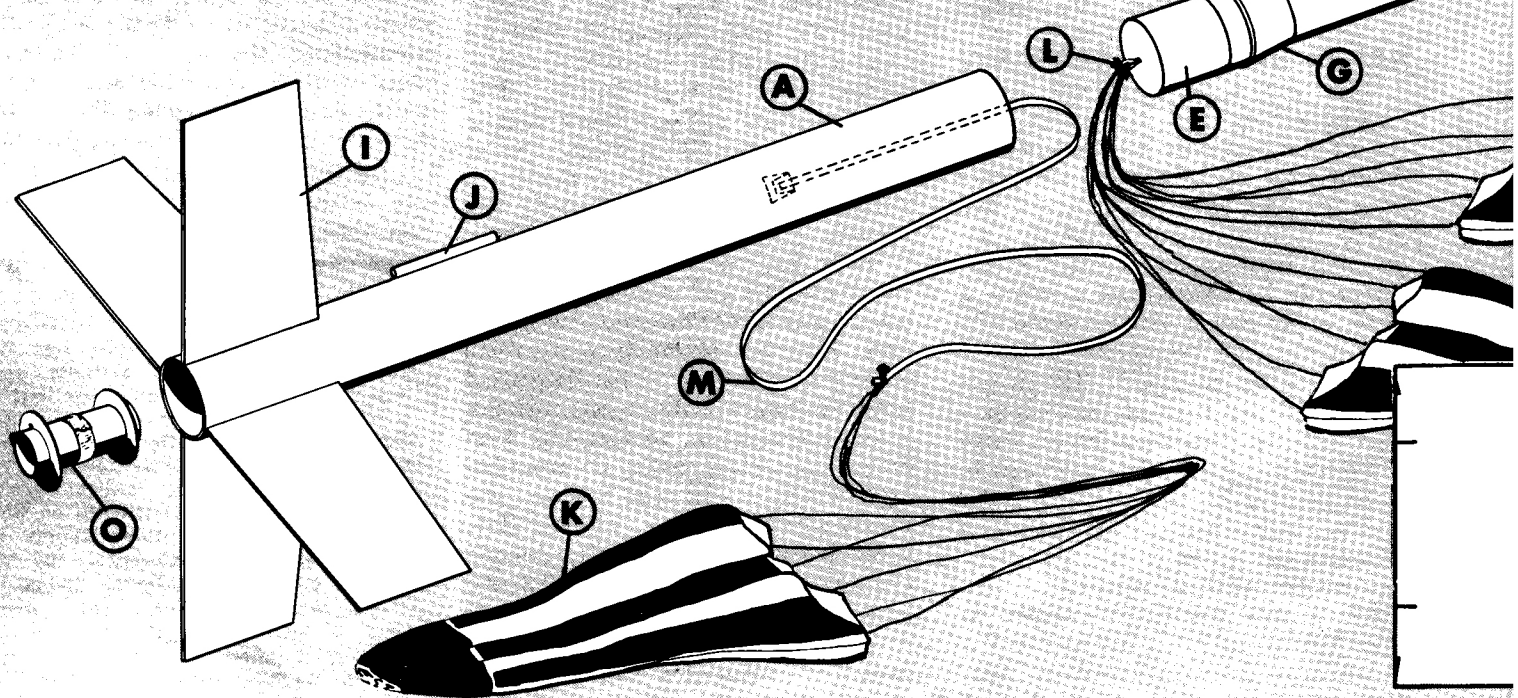
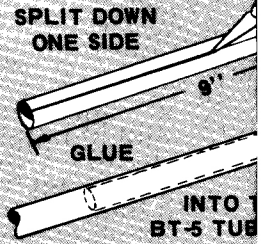
ASSEMBLY INSTRUCTIONS

1. Assemble engine mount EM-5063 as per instructions with one exception: omit BT-60J. BT-60J will not be used in the construction of this model.
2. Glue engine mount in BT-60, leaving engine hook flush with the bottom of the tube.
3. Mark BT-60 for four fins, using fin marking guide.
4. Using fin pattern, cut out four fins from two sheets of BFS-40L. Sand, shape, and glue on BT-60.
5. Glue launch lug on BT-60 five inches from the end of the tube.
6. Install and glue screw eye in NB-60.
7. Glue TA-5560 straight on to NB-60.
8. Glue BT-55 to TA-5560, glue TA-2055 to BT-55, and glue BT-20 to TA-2055.
9. Using standoff pattern, cut out launch lug standoff from scrap balsa. Glue launch lug to standoff and glue this assembly to BT-55 five inches from the end of the tube.



OMIT BT-60J

10. Make shock cord m...
11. Assemble the part directions. Attach of shock cord and ty screw eye.
12. For internal bracing BT-5 in half. Split completely down on 9" BT-5 section in glue it between two. While glue is drying, a straight flat sur alignment and a good which is left will nstruction of this mod



cut from the pattern.

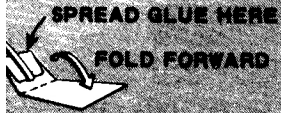
13. Glue one 520 ring from TA-1 Multi-Purpose Paper Adapter Set onto BT-5, 8" from the bottom of the tube. Glue another 520 ring flush to the bottom of BT-5. Install and glue this assembly into the BT-20 so the top ring is 1/2 inch from the end of the BT-20. Make a 520 paper adapter according to directions in the Multi-Purpose Paper Adapter Set. Install between BT-5 and BT-20.

PAINTING

Paint pattern for the Gigantiroc-2A is left totally up to the creative imagination of the Estes rocketeers.

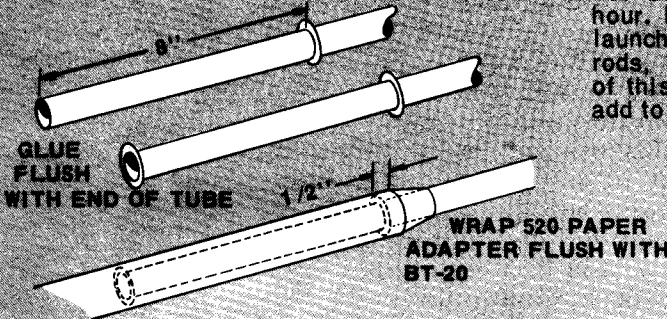
LAUNCHING

The designer advises that Gigantiroc-2A should not be launched in winds over 10 miles per hour. In addition to a standard Estes two-piece launch rod, we recommend one or two add-on rods, RLR-3, be used when launching a model of this size. A larger launch rod will definitely add to the reliability of your flight.

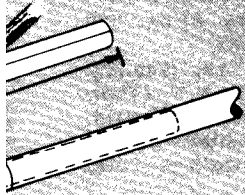


chutes according to the parachute to end of the parachutes to the

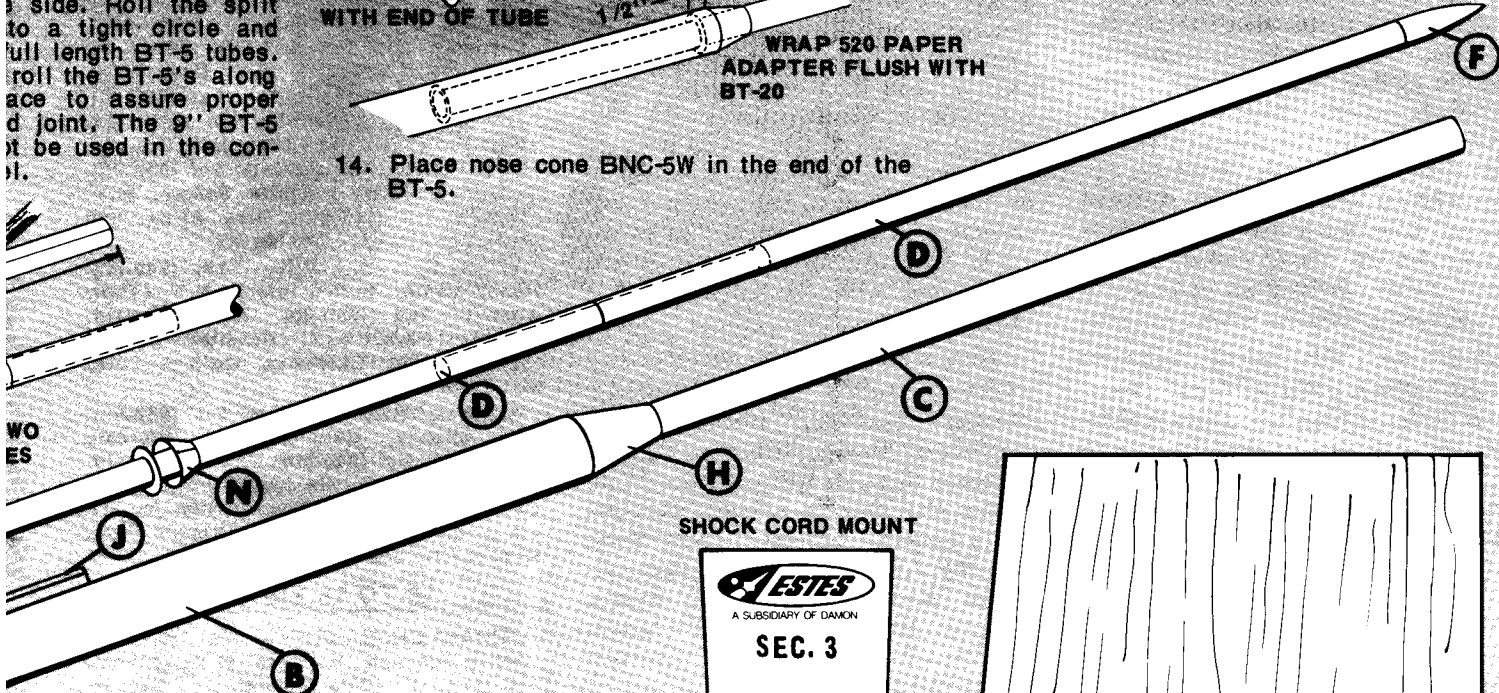
of BT-5's, cut one one 9" BT-5 section a side. Roll the split to a tight circle and full length BT-5 tubes. roll the BT-5's along face to assure proper joint. The 9" BT-5 it be used in the con- ol.



14. Place nose cone BNC-5W in the end of the BT-5.



WO ES



SHOCK CORD MOUNT

