



www.estesrockets.com

Estes Industries
1295 H Street
Penrose, CO 81240
Printed in U.S.A.



FLYING MODEL ROCKET KIT
KEEP FOR FUTURE REFERENCE

EST 1407

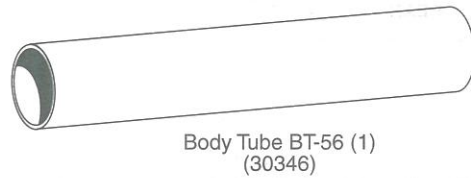
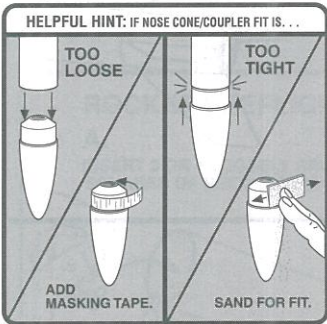
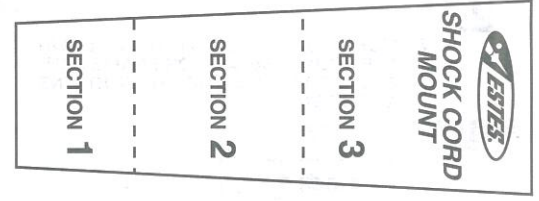
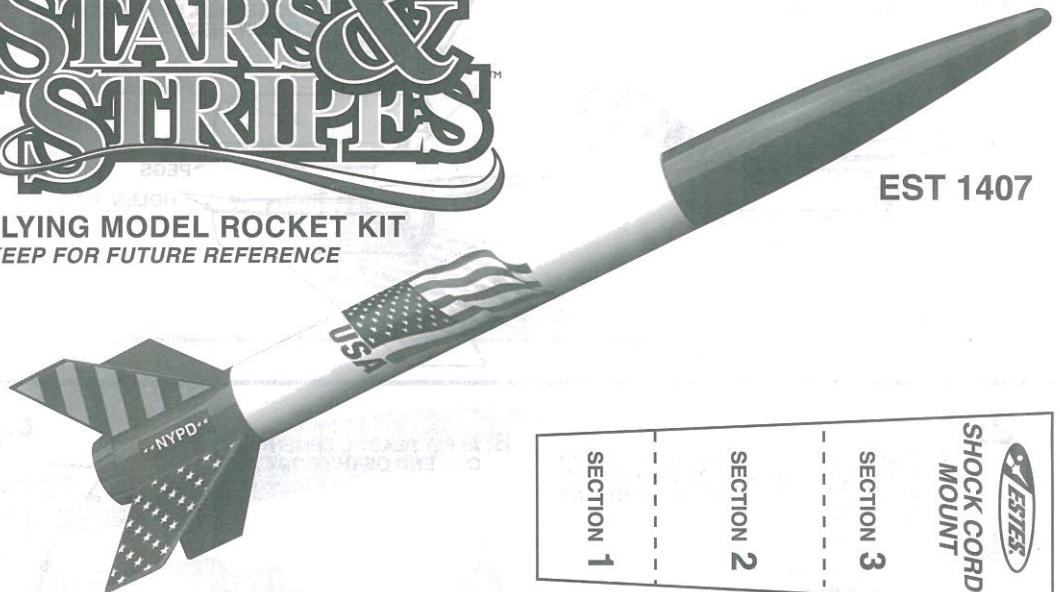
ASSEMBLY TIP

Read all instructions before beginning work on your model. Make sure you have all parts and supplies.

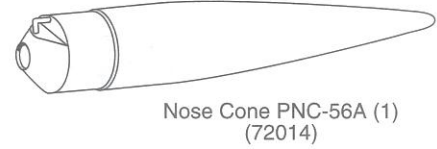
TEST-FIT ALL PARTS TOGETHER BEFORE APPLYING ANY GLUE. If any parts don't fit properly, sand as required for precision assembly.

PARTS

Locate the parts shown below and lay them out on the table in front of you. DO NOT USE THIS DRAWING TO ASSEMBLE YOUR ROCKET.



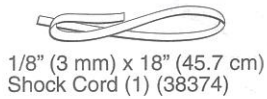
Body Tube BT-56 (1)
(30346)



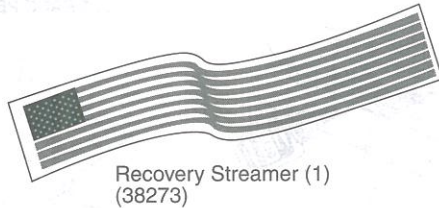
Nose Cone PNC-56A (1)
(72014)



Launch Lug (1)
(38175)



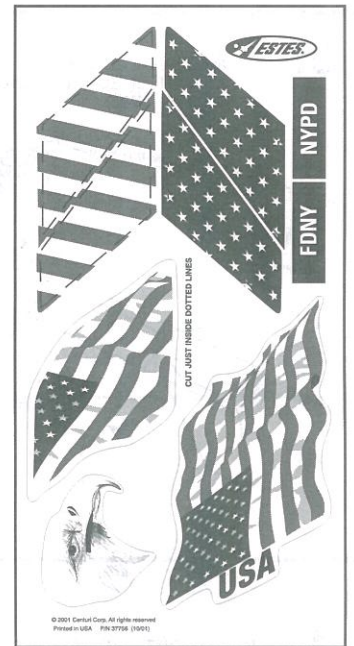
1/8" (3 mm) x 18" (45.7 cm)
Shock Cord (1) (38374)



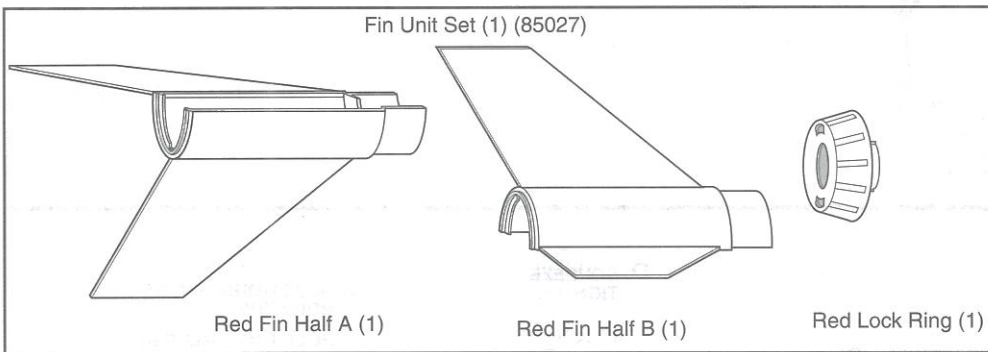
Recovery Streamer (1)
(38273)



Stars & Stripes™ Window
Sticker (1) (37758)



Stars & Stripes™ Rocket Decal (1)
(37756)



Fin Unit Set (1) (85027)

Red Fin Half A (1)

Red Fin Half B (1)

Red Lock Ring (1)

SUPPLIES

 In addition to the parts included in the kit you will also need:

SCISSORS



PENCIL



RULER



FINE SAND PAPER
(#400-600 GRIT)



CARPENTER'S
GLUE



MODELING
KNIFE



PLASTIC
CEMENT



MASKING
TAPE

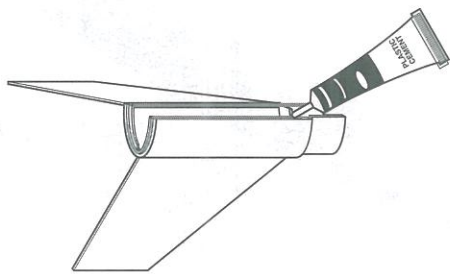


SPRAY
CLEAR
COAT

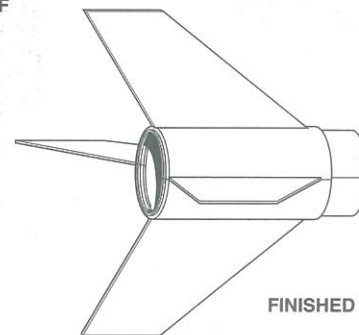
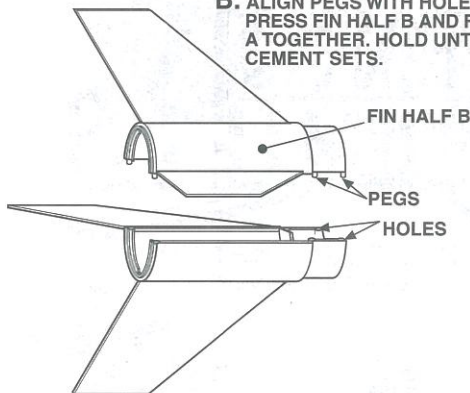


CLEAR
TAPE

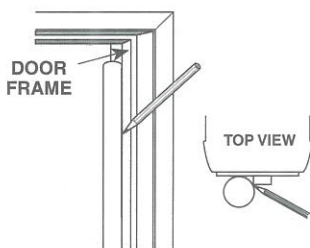
1. A. APPLY PLASTIC CEMENT TO FIN HALF A.



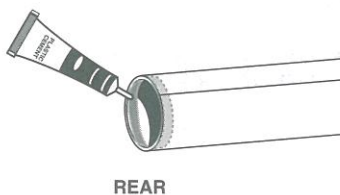
B. ALIGN PEGS WITH HOLES AND PRESS FIN HALF B AND FIN HALF A TOGETHER. HOLD UNTIL CEMENT SETS.



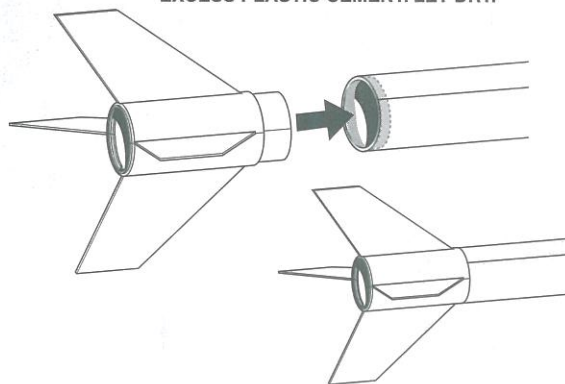
2. A. LIGHTLY DRAW A STRAIGHT LINE DOWN THE BODY TUBE. A DOOR FRAME CAN BE USED TO MAKE THE STRAIGHT LINE AS SHOWN.



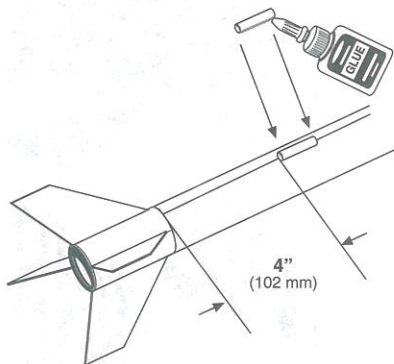
B. APPLY PLASTIC CEMENT INSIDE ONE END OF THE BODY TUBE.



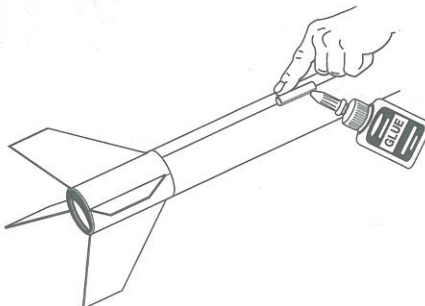
C. INSERT ASSEMBLED FIN UNIT. WIPE AWAY EXCESS PLASTIC CEMENT. LET DRY.



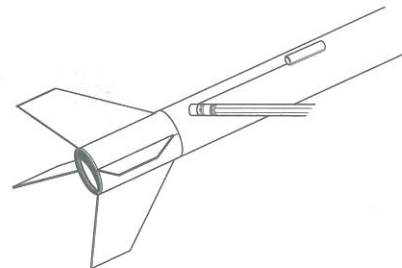
3. A. GLUE LAUNCH LUG CENTERED ON LAUNCH LUG LINE.



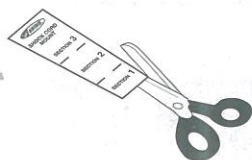
B. APPLY GLUE FILLETS TO LAUNCH LUG. THEN SMOOTH WITH FINGER TIP AND LET DRY.



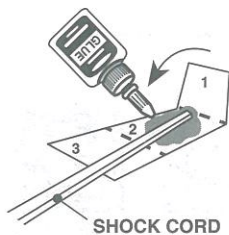
C. ERASE PENCIL MARK.



4. A. CUT OUT SHOCK CORD MOUNT FROM FRONT PAGE.



B. FOLD FORWARD.



C. FOLD FORWARD.



D. SQUEEZE TIGHTLY.



E. GLUE MOUNT INSIDE BODY TUBE. HOLD UNTIL GLUE SETS.



5. **A. REMOVE EXCESS FLASH AND CLEAN THE EYE OF THE NOSE CONE.** **B. TIE SHOCK CORD TO NOSE CONE.** **C. APPLY CLEAR TAPE TO FLAG STREAMER AND POSITION OVER SHOCK CORD AS SHOWN.** **D. FOLD TAPE OVER BACK OF STREAMER TRAPPING THE SHOCK CORD.**

CAUTION:
DO NOT CUT OFF EYE OF NOSE CONE

6. DECAL APPLICATION

VERSION 1

VERSION 2

*** CLEAR COAT ENTIRE ROCKET IF DESIRED.**

ROCKET PREFLIGHT

A. INSERT 3 OR 4 LOOSELY CRUMPLED SQUARES OF RECOVERY WADDING. **B. FOLD STREAMER.** **C. ROLL.** **D. WRAP SHOCK CORD LOOSELY, INSERT STREAMER, SHOCK CORD AND NOSE CONE.**

ENGINE PREP

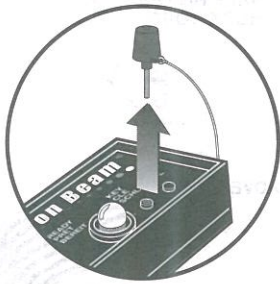
WARNING: FLAMMABLE
Before proceeding read instructions & NAR Safety Code included with engines.
PREPARE YOUR ENGINE ONLY WHEN YOU ARE OUTSIDE AT THE LAUNCH SITE PREPARING TO LAUNCH!
If you do not use your prepared engine, remove the igniter before storing your engine.

A. SLIDE ENGINE INTO REAR OF ROCKET AS SHOWN. **B. TWIST PLASTIC ENGINE LOCK RING INTO LOCKED POSITION TO HOLD ENGINE IN PLACE.** **C. SEPARATE IGNITER AND IGNITER PLUG.**

D. HOLD ROCKET UPRIGHT, DROP IN IGNITER. IGNITER MUST TOUCH PROPELLANT. **E. INSERT IGNITER PLUG.** **F. FIRMLY PUSH ALL THE WAY IN.** **G. BEND IGNITER WIRES AS SHOWN.**

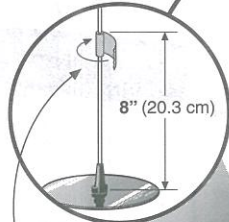
COUNTDOWN AND LAUNCH

Recommended Estes® Engines:
A8-3, B4-4, B6-4, C6-5



KEY ALWAYS OUT UNTIL FINAL COUNTDOWN!

1...

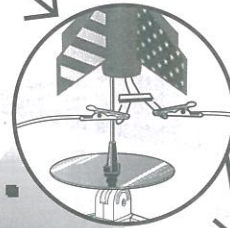


MASKING TAPE

2...



3...



4...



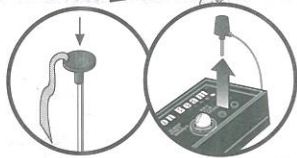
INSERT KEY. PUSH DOWN AND HOLD.

5...

4... 3... 2... 1...



HOLD KEY DOWN AND PRESS BUTTON UNTIL LIFT-OFF!



PRECAUTIONS

NAR Safety Code



NO DRY GRASS OR WEEDS

FLYING YOUR ROCKET

Choose a large field (500 ft. [152 m] square) free of dry weeds and brown grass. The larger the launch area, the better your chance of recovering your rocket. Football fields and playgrounds are great. Launch only with little or no wind and good visibility.

Always follow the National Association of Rocketry (NAR) SAFETY CODE.

MISFIRES

TAKE THE KEY OUT OF THE CONTROLLER. WAIT ONE MINUTE BEFORE GOING NEAR THE ROCKET! Take the plug and igniter out of the engine. If the igniter has burned, it worked but did not ignite the engine because it was not touching the propellant inside the engine. Put a new igniter all the way inside the engine without bending it. Push the plug in place. Repeat the steps under Countdown and Launch.