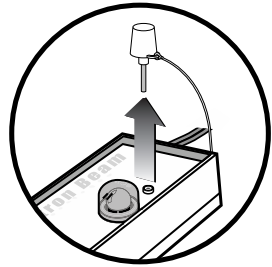


COUNTDOWN AND LAUNCH

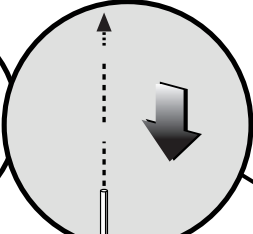


KEY ALWAYS OUT UNTIL FINAL COUNTDOWN!

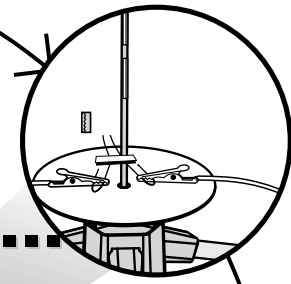


1...

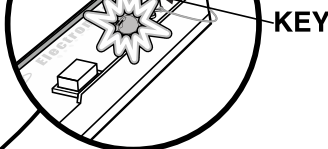
SLIDE ROCKET DOWN OVER LAUNCH ROD.



2...



3...



KEY

INSERT KEY. PUSH DOWN HARD. BULB WILL LIGHT.

4...

4... 3... 2... 1...

WHILE HOLDING KEY DOWN FIRMLY, PRESS LAUNCH BUTTON UNTIL LIFT-OFF!

LAUNCH BUTTON

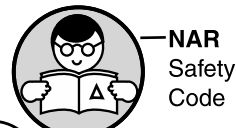
Estes Launch Supplies:

(Sold Separately)
Recommended Estes Engines:
1/2A3-2T (First Flight)
A3-4T, A10-3T
Igniters (with engines)
Igniter Plugs (with engines)
Recovery Wadding (Included with some engines)

(Included)
Mini Launch Pad
Electron Beam® Launch Controller

Use only Estes products to launch this rocket.

PRECAUTIONS



NAR Safety Code



NO DRY GRASS OR WEEDS

PRE-LAUNCH CHECK

For safety, never launch a damaged rocket. Check the rocket's body, nose cone and fins. Also, check the engine mount, recovery system and launch lug(s). Repair any damage before launching the rocket.

FLYING YOUR ROCKET

Choose a large field (500 ft. [152 m] square) free of dry weeds and brown grass. The larger the launch area, the better your chance of recovering your rocket. Football fields and playgrounds are great. Launch only with little or no wind and good visibility.

Always follow the National Association of Rocketry (NAR) SAFETY CODE.

MISFIRES

TAKE THE KEY OUT OF THE CONTROLLER. WAIT ONE MINUTE BEFORE GOING NEAR THE ROCKET! Disconnect the igniter clips and remove the engine. Take the plug and igniter out of the engine. If the igniter has burned, it worked but did not ignite the engine because it was not touching the propellant inside the engine. Put a new igniter all the way inside the engine without bending it. Push the plug in place. Repeat the steps under Countdown and Launch.



www.estesrockets.com

ESTES-COX CORP.
1295 H Street, PO Box 227
Penrose, CO 81240-0227
PRINTED IN CHINA

CUSTOMIZER™ MINI LAUNCH SET INSTRUCTION MANUAL #1497

PLEASE REVIEW ALL OF THE ASSEMBLY INFORMATION BEFORE STARTING ANY OF THE POSSIBLE ROCKET COMBINATIONS.

KEEP FOR FUTURE REFERENCE

ASSEMBLY TIP: Read all instructions before beginning work on your model. Make sure you have all parts and supplies.

TEST FIT ALL PARTS TOGETHER BEFORE APPLYING ANY GLUE! If any parts don't fit properly, sand as required for precision assembly.



Thank you for purchasing the Estes Customizer™ Mini Launch Set. This one-of-a-kind set lets you combine the various parts to create a single large rocket or two smaller rockets. To utilize everything this exciting rocket set has to offer, it is absolutely necessary that you read and review the **Parts Template**, **Exploded View Assembly Chart** and the **Customizer™ Mini Launch Set Instruction Manual** and to become totally familiar with all of the possible rocket combinations before you begin assembly.

After you have reviewed each and every rocket and made your customized rocket choice, refer to the **Exploded View Assembly Chart** for the required assembly steps found in the **Customizer™ Mini Launch Set Instruction Manual**. The manual has detailed drawings, measurements and instructions for each assembly required to complete your customized rocket. After completing your Customizer™ Mini rocket, you can create a more personalized custom rocket using the supplied self-stick decals.

How to use the Parts Template, Exploded View Assembly Chart and Customizer Mini™ Launch Set Instruction Manual.

1. First, match each of the parts with the **Parts Template**.
2. Check out each of the 12 rocket combinations in the **Exploded View Assembly Chart** and review each of the rockets and specifications (length, weight, engine used and maximum altitude prediction) in the column at the right to determine the best customized rocket for you.
3. Refer to the **Customizer™ Mini Launch Set Instruction Manual** for each detailed assembly step referred to in the **Exploded View Assembly Chart**.
4. **DRY ASSEMBLE** (no glue) each of the 12 rockets. Do this to see how the parts fit together, to gain some experience with the various assembly techniques before actually assembling and gluing your rocket. This process will also help you decide which rocket(s) you want to create with your Customizer™ Mini rocket parts.
5. Carefully following the instructions, charts and templates will ensure that your customized model rocket reflects the **creative rocket scientist** in you.

SUPPLIES In addition to the parts included in the kit you will also need:



SCISSORS



PENCIL



RULER



FINE SANDPAPER (#320-#400 GRIT)



CARPENTER'S GLUE



MODELING KNIFE



PLASTIC CEMENT



MASKING TAPE

Assembly Quiz;

Once you have familiarized yourself with the assembly sequences and decided on the rocket(s) of your choice, take this short quiz. If you answered 8 of 10 questions with Yes, you're ready to build your very own Customizer Mini™ rocket(s).

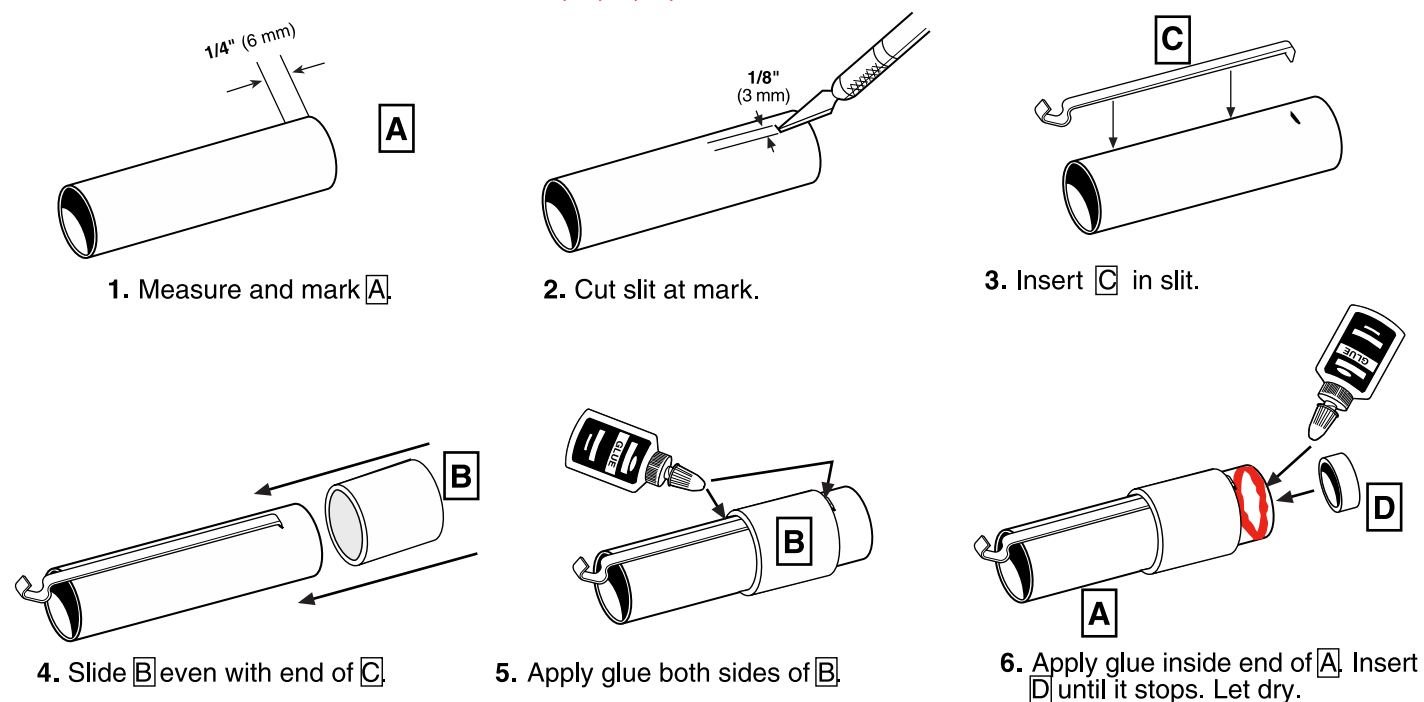
1. Have you read the entire Customizer Mini™ instruction manual and studied each of the sub assemblies? Yes ___ No ___
2. Have you used the Parts Template to identify each of the parts supplied? Yes ___ No ___
3. Do you understand the numbering sequence at the beginning of each step in the instruction manual and how those numbers relate to the various rocket combinations? Yes ___ No ___
4. Using the Exploded View Assembly Chart, have you reviewed the product specifications of each rocket and understand the performance capabilities of each? Yes ___ No ___
5. Have you **DRY ASSEMBLED** (no gluing) each of the rocket combinations that interest you to see how the various parts and sub assemblies fit together? Yes ___ No ___
6. Do you understand that certain rocket parts combinations can provide you with 2 rockets? Yes ___ No ___
7. Do you understand that certain rocket parts combinations will provide you with just one complete rocket with some parts left over? Yes ___ No ___
8. Have you read "Prepare Parachute", "Prepare Streamer", "Prepare Engine" and "Countdown & Launch" in the manual and understand how to load your parachute, model rocket engine and igniter? Yes ___ No ___
9. Have you read the launch assembly instructions and understand how to assemble your Mini Launch Pad? Yes ___ No ___
10. Have you read the launch assembly instructions and understand how to install the four AA alkaline batteries in the Electron-Beam® Launch Controller? Yes ___ No ___

Customizer™ Mini Instruction Manual

NOTE: ALL GLUED AREAS ARE SHOWN IN RED

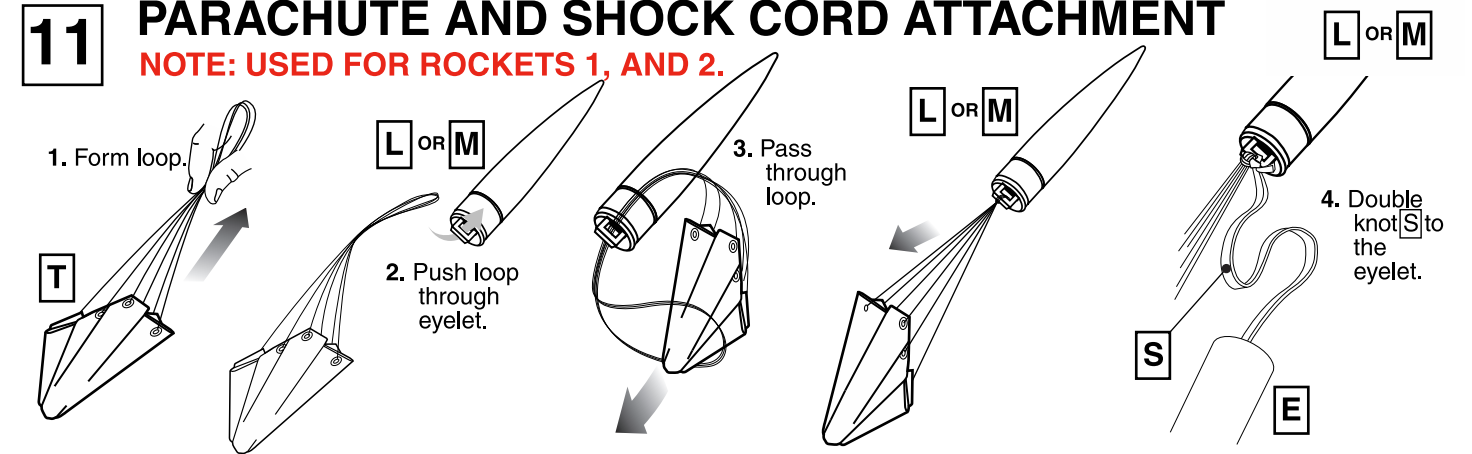
1 ENGINE MOUNT ASSEMBLY

NOTE: USED FOR ROCKETS 1, 2, 3, 4, 5 AND 6.



11 PARACHUTE AND SHOCK CORD ATTACHMENT

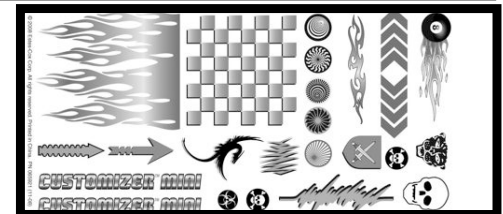
NOTE: USED FOR ROCKETS 1, AND 2.



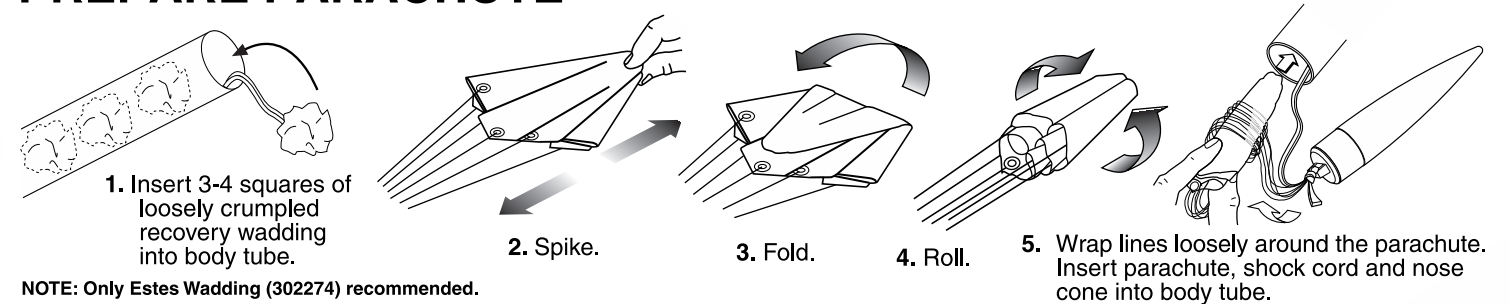
12 CUSTOMIZE YOUR ROCKET!

NOTE: USED FOR ALL ROCKETS.

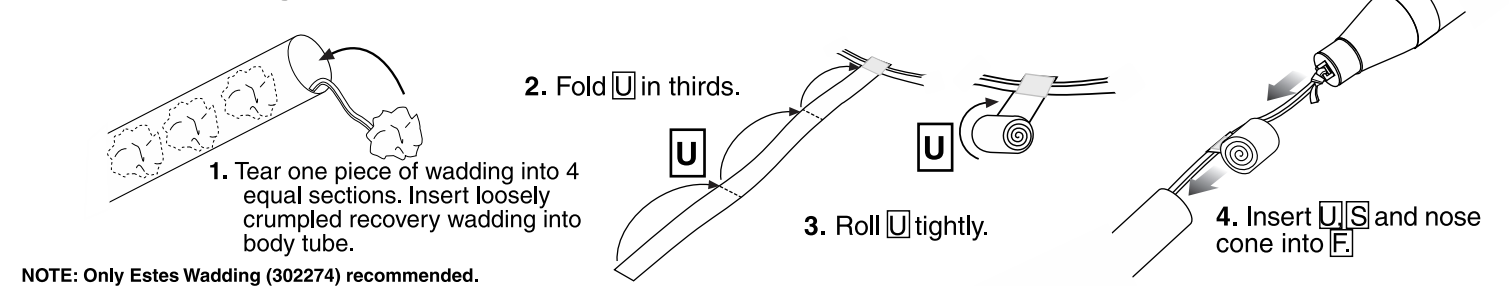
Create your own custom look! Now that you have completed final assembly of your Customizer Mini™ rocket, arrange any of the radical decals included in your set into your personal design. Mix and match the easy to apply decals and express yourself! Create your very own totally unique rockets.



PREPARE PARACHUTE **NOTE: USED FOR ROCKETS 1, 2, 3, 4, 5 AND 6.**

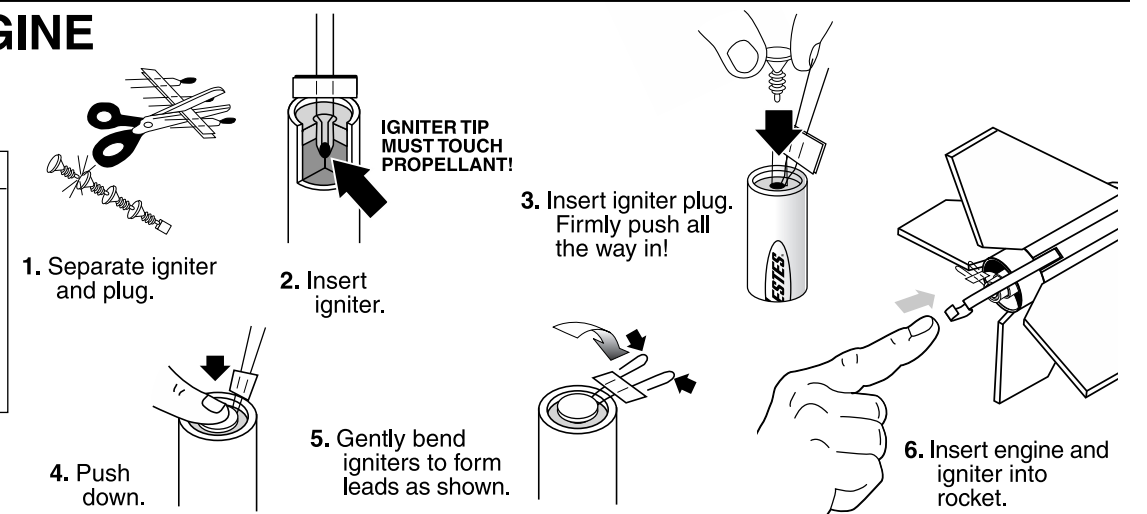


PREPARE STREAMER **NOTE: USED FOR ROCKETS 7, 8, 9, 10, 11 AND 12.**



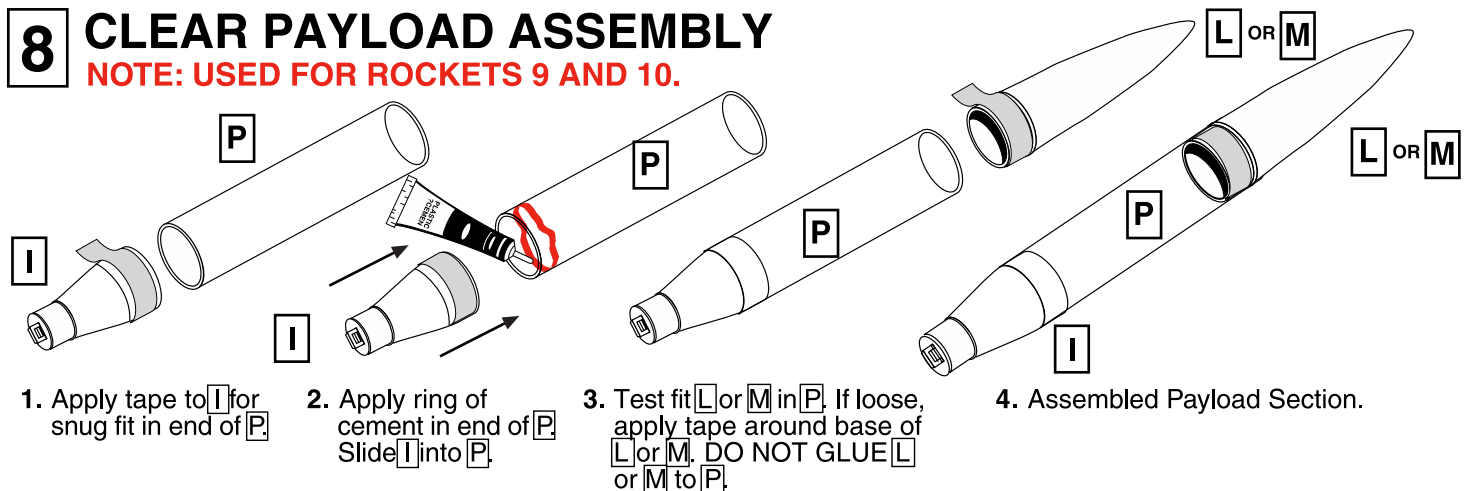
PREPARE ENGINE

WARNING: FLAMMABLE
To avoid serious injury, read instructions & NAR Safety Code included with engines.
PREPARE ENGINE ONLY WHEN YOU ARE OUTSIDE AT THE LAUNCH SITE PREPARING TO LAUNCH!
If you do not use your prepared engine, remove the igniter before storing engine.



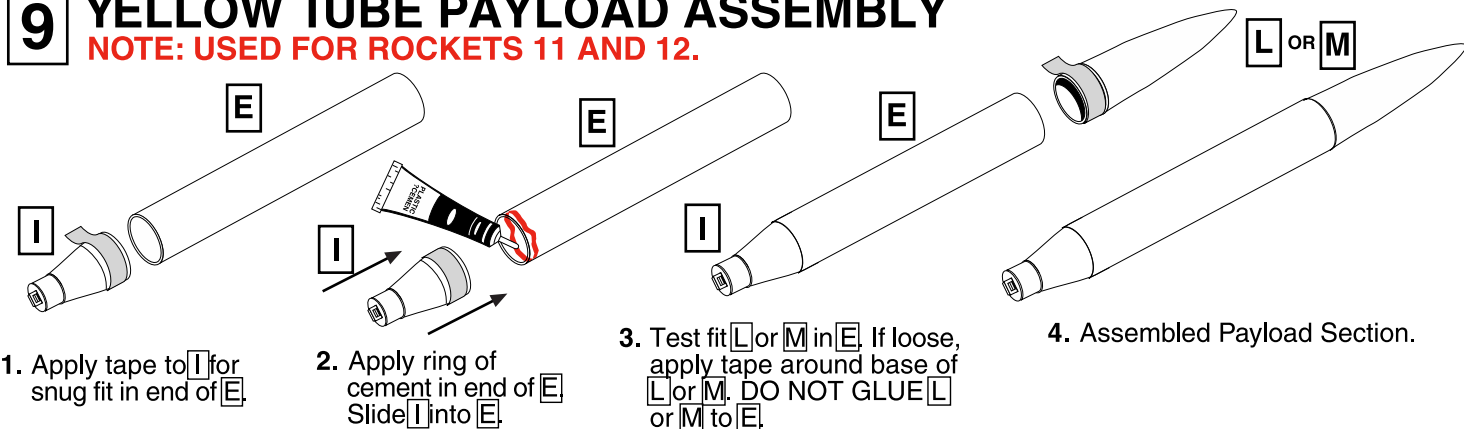
8 CLEAR PAYLOAD ASSEMBLY

NOTE: USED FOR ROCKETS 9 AND 10.



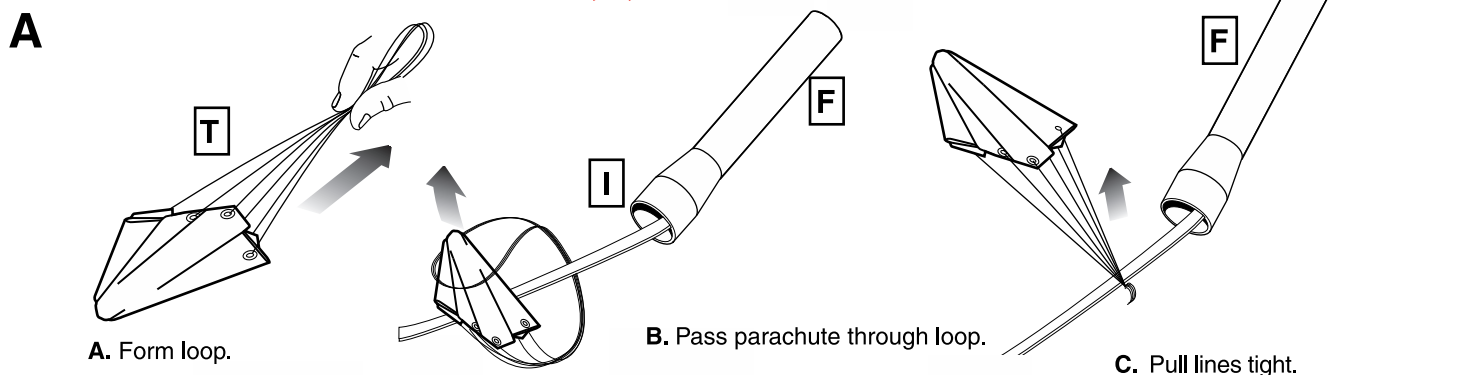
9 YELLOW TUBE PAYLOAD ASSEMBLY

NOTE: USED FOR ROCKETS 11 AND 12.

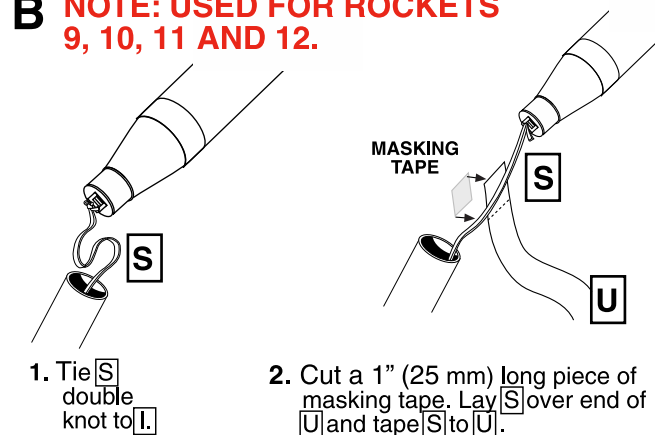


10 PARACHUTE OR STREAMER ATTACHMENT

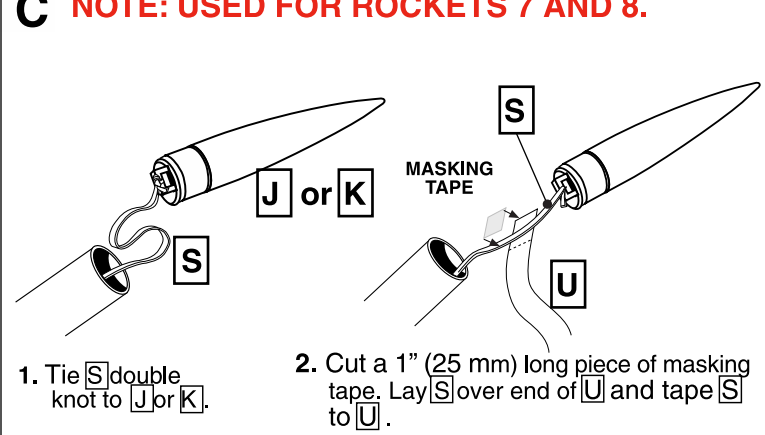
NOTE: USED FOR ROCKETS 3, 4, 5 AND 6.



B NOTE: USED FOR ROCKETS 9, 10, 11 AND 12.

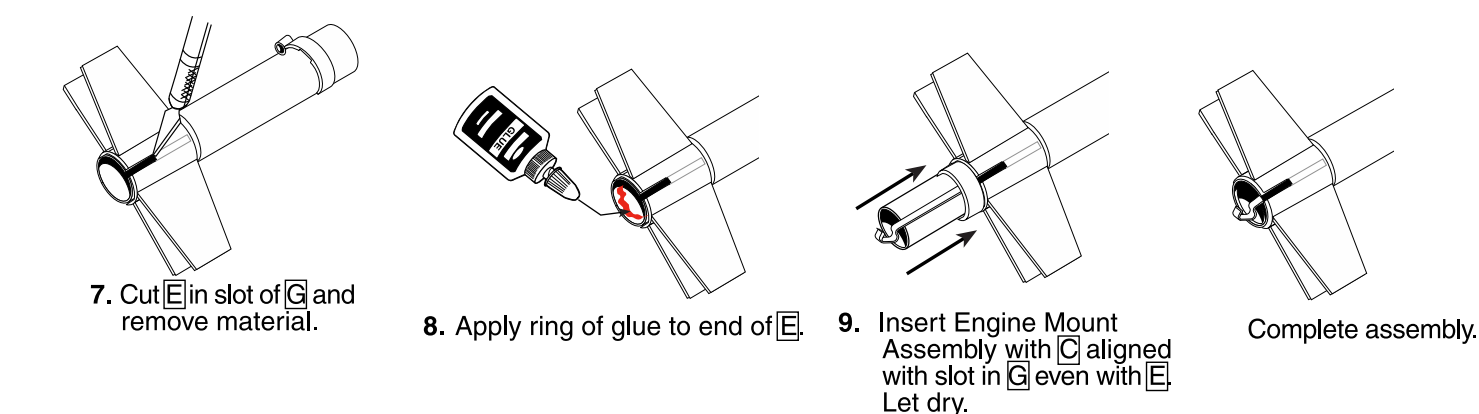
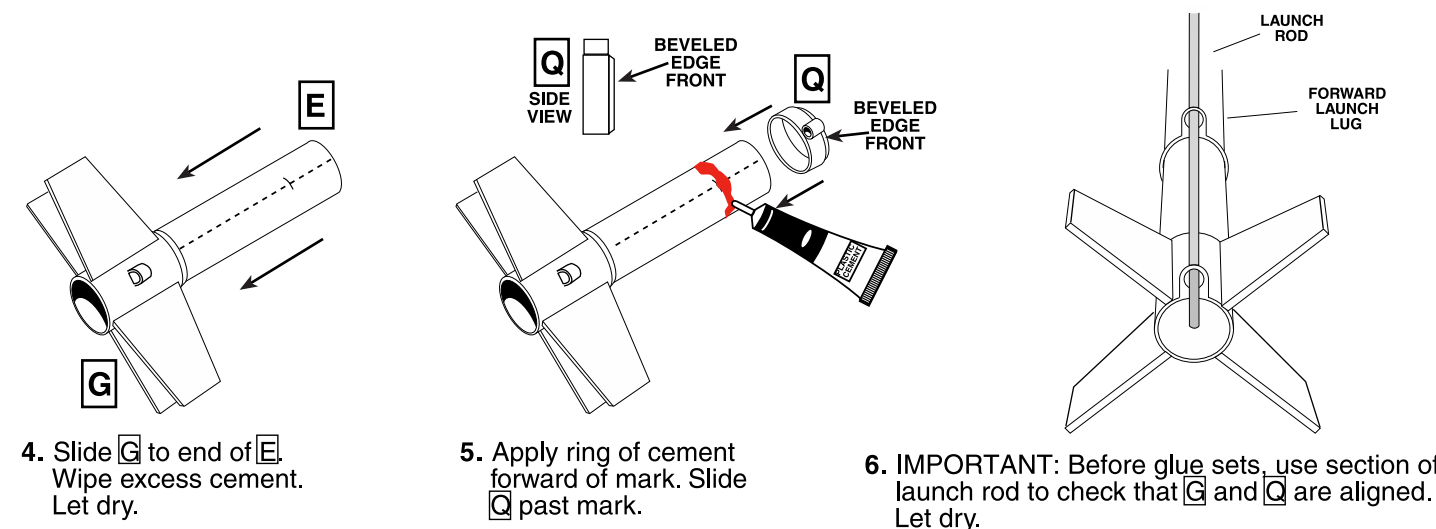
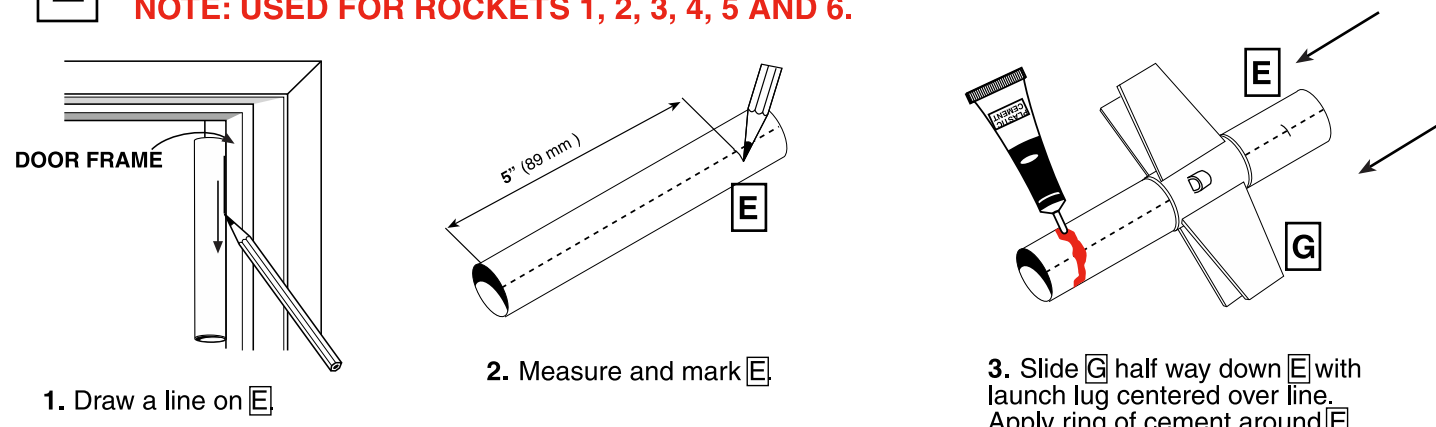


C NOTE: USED FOR ROCKETS 7 AND 8.



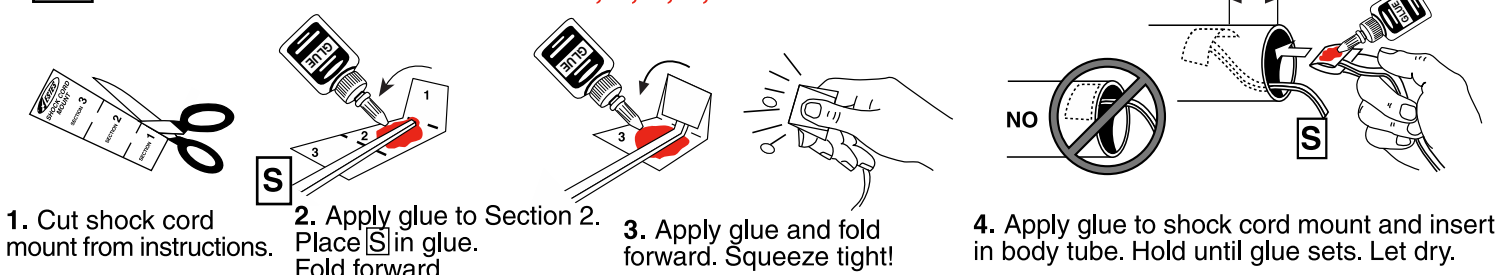
2 YELLOW BODY TUBE ASSEMBLY

NOTE: USED FOR ROCKETS 1, 2, 3, 4, 5 AND 6.



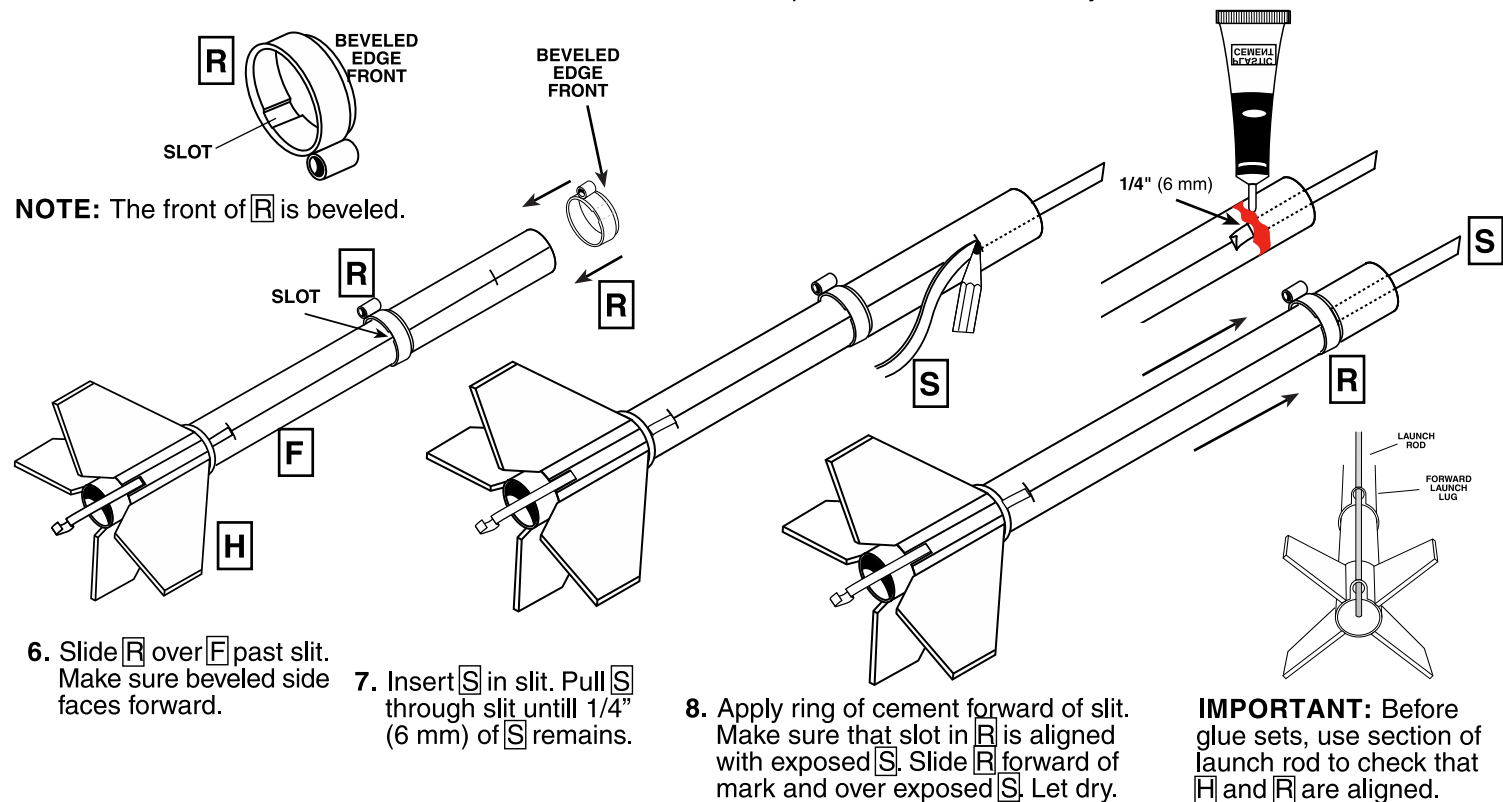
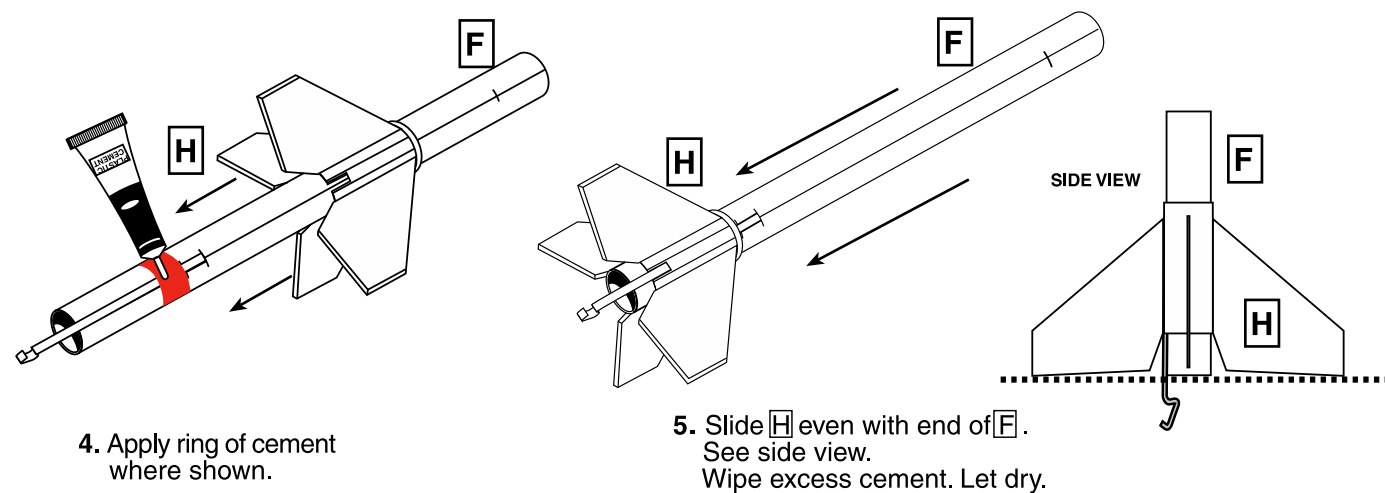
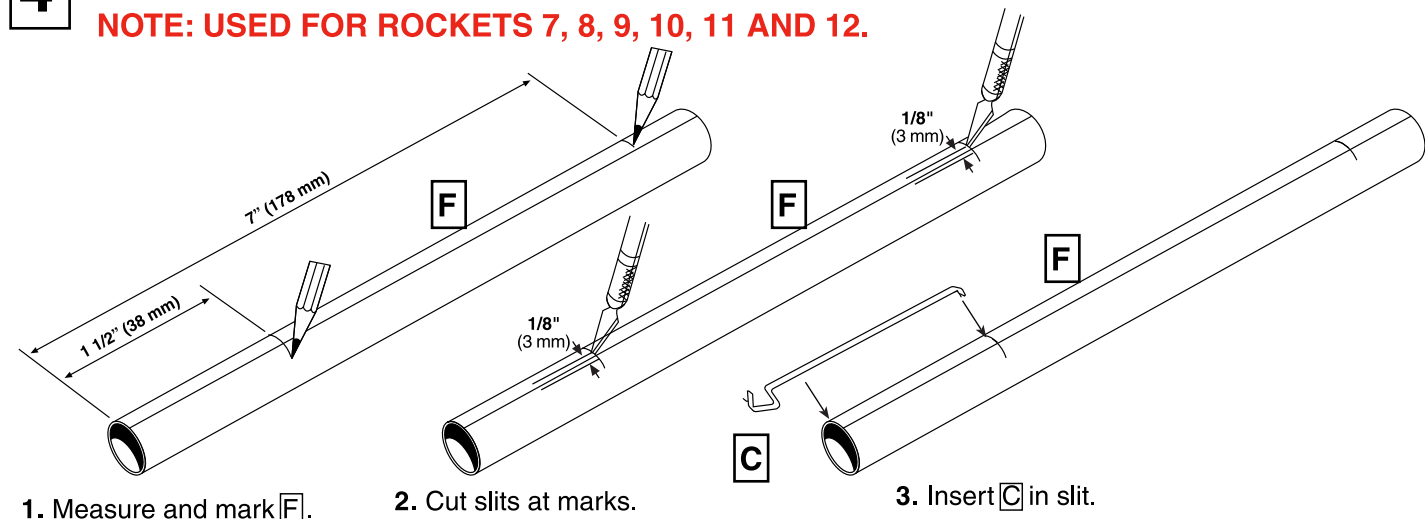
3 INSTALL SHOCK CORD MOUNT

NOTE: USED FOR ROCKETS 1, 2, 3, 4, 5 AND 6.



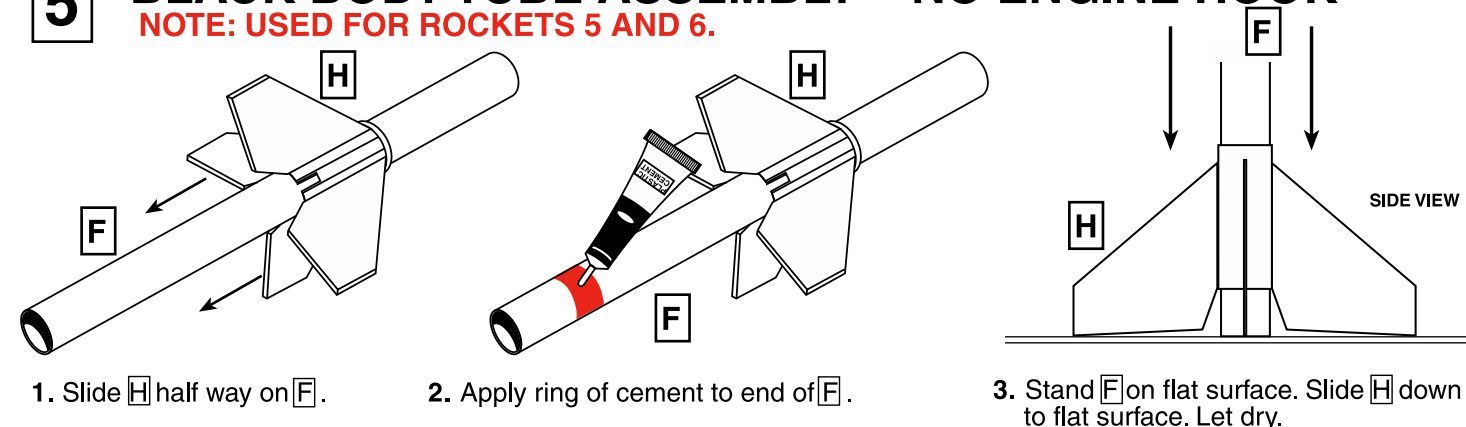
4 BLACK BODY TUBE ASSEMBLY - WITH ENGINE HOOK

NOTE: USED FOR ROCKETS 7, 8, 9, 10, 11 AND 12.

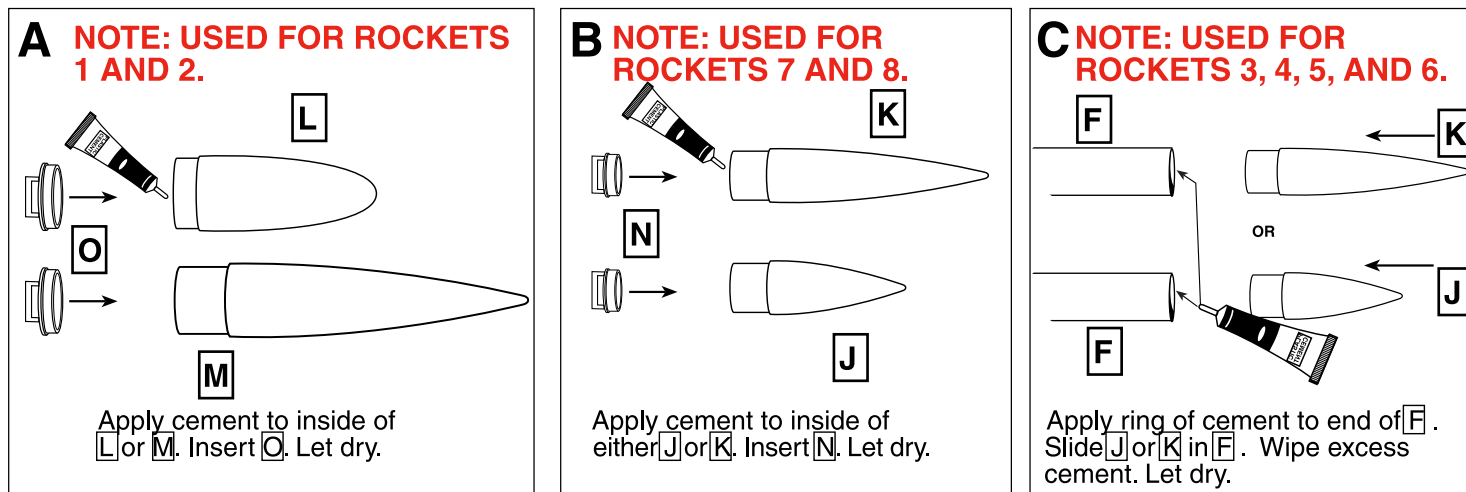


5 BLACK BODY TUBE ASSEMBLY - NO ENGINE HOOK

NOTE: USED FOR ROCKETS 5 AND 6.

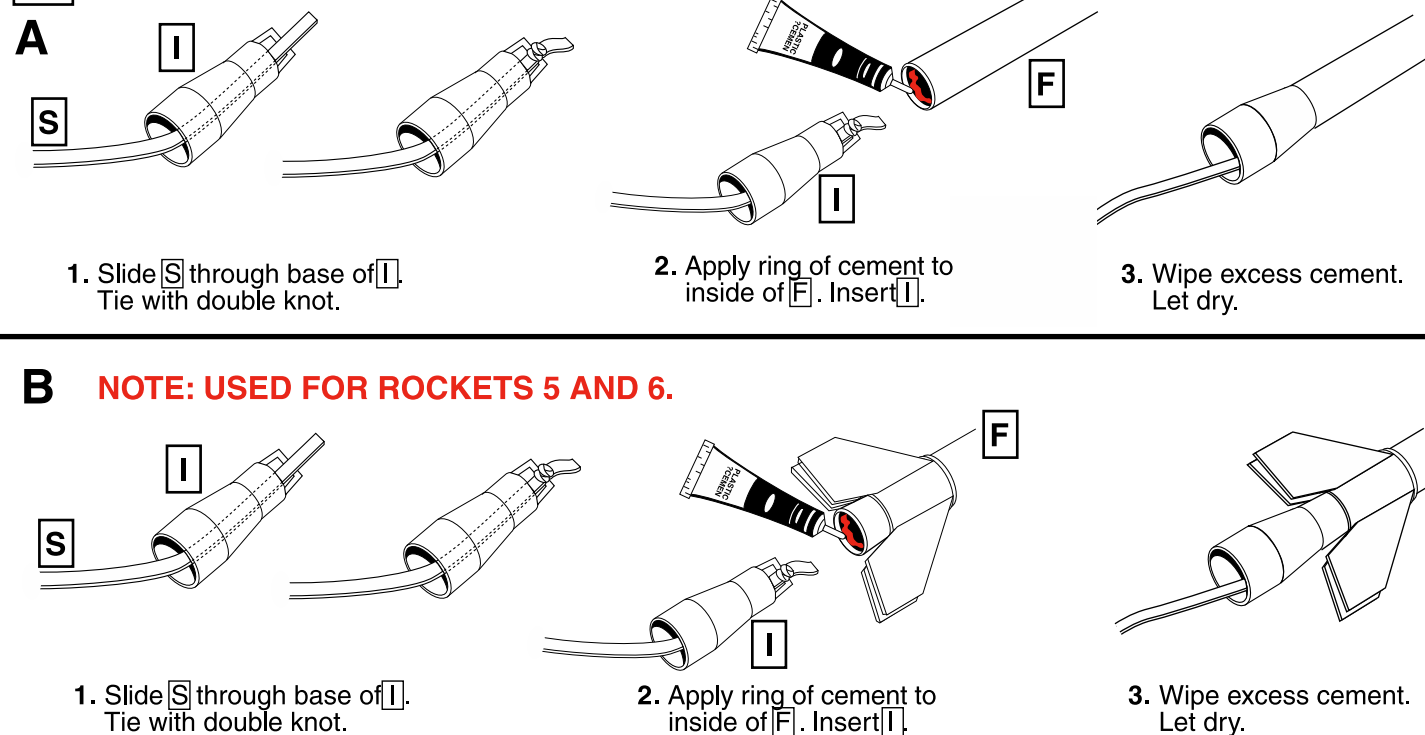


6 BLACK AND YELLOW CONE ASSEMBLY

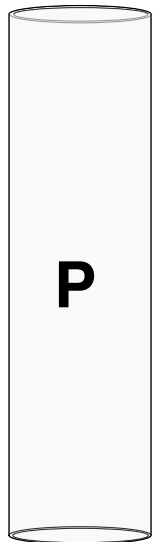
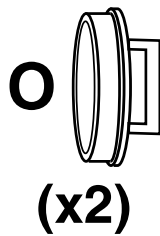
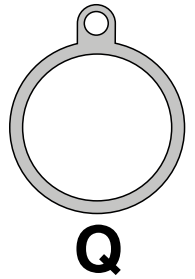
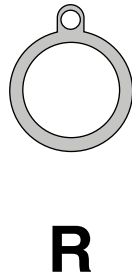
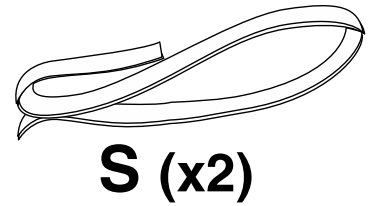
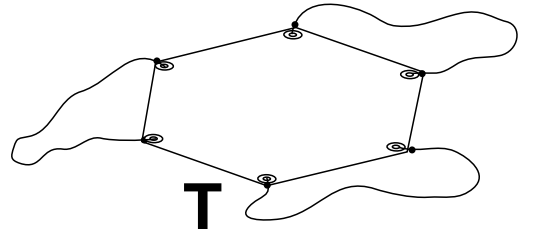
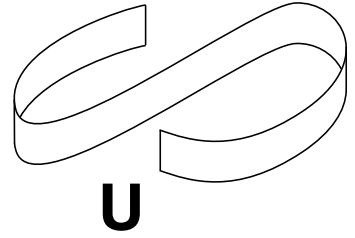
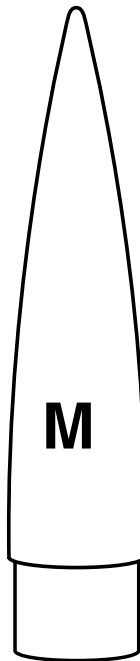
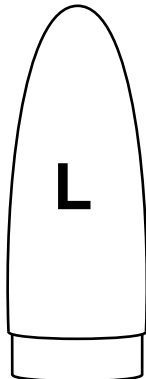
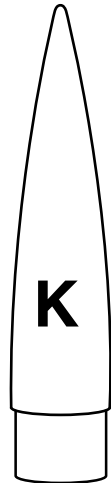
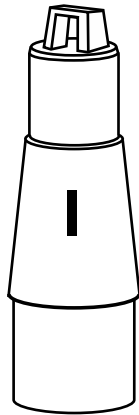
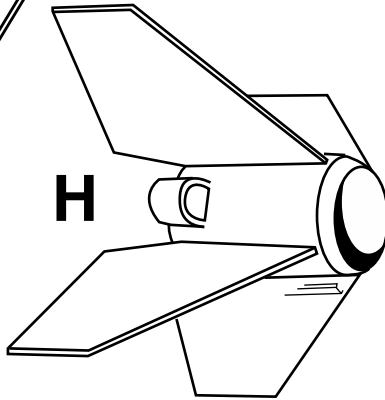
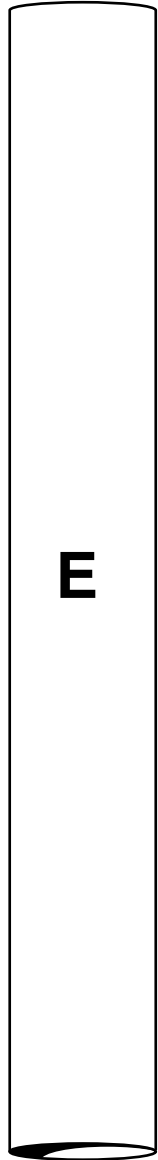
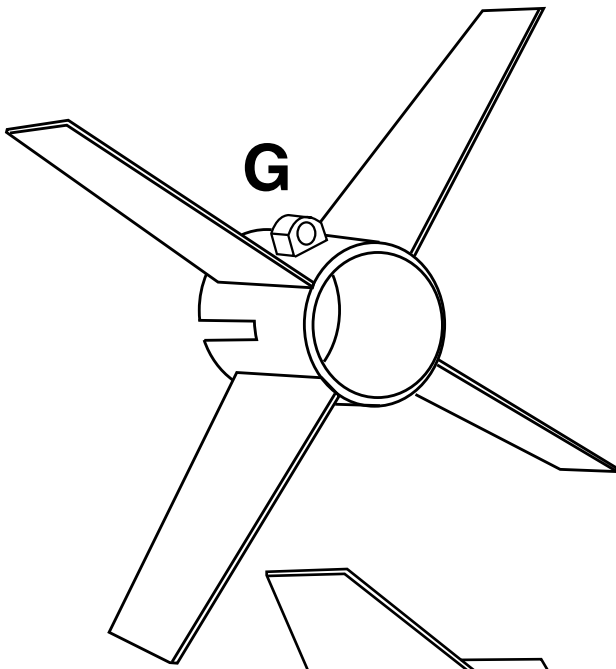
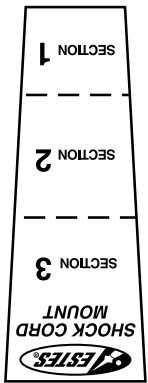
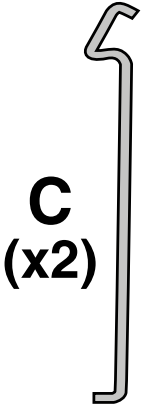
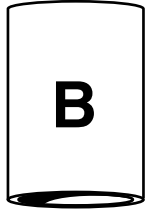
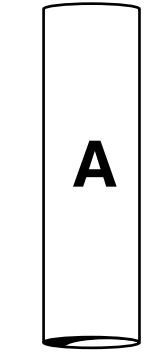


7 ATTACH TUBE ADAPTER

NOTE: USED FOR ROCKETS 3 AND 4.



Parts Template



1497 CUSTOMIZER™ MINI PARTS LIST

Part	Qty.	Description	Part Number
A	1	BT 5 1.75" Body Tube – White	030290
B	1	Yellow Adapter Ring	030120
C	2	Mini Engine Hook	035023
D	1	Yellow Engine Block	030222-4
E	1	BT 20 6" Body Tube – Yellow	030311
F	1	BT 5 9" Body Tube – Black	030293
G	1	Black Plastic Fin Unit	033567
H	1	Yellow Plastic Fin Unit	033590
I	1	Silver Tube Adapter	033554
J	1	BT 5 Nose Cone – Yellow	072610
K	1	BT 5 Nose Cone – Yellow	061806
L	1	BT 20 Nose Cone – Black	072728
M	1	BT 20 Nose Cone – Black	072727
N	1	BT 5 Nose Cone Insert	072601
O	2	BT 20 Nose Cone Insert	072603
P	1	BT 20 Payload – Clear	030604
Q	1	BT 20 Launch Lug – Black	033568
R	1	BT 5 Launch Lug – Yellow	033615
S	2	18" Rubber Shock Cord	038366
T	1	12" Parachute	035815
U	1	18" Streamer	035838

NOTES: