

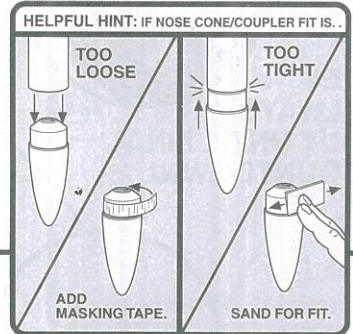
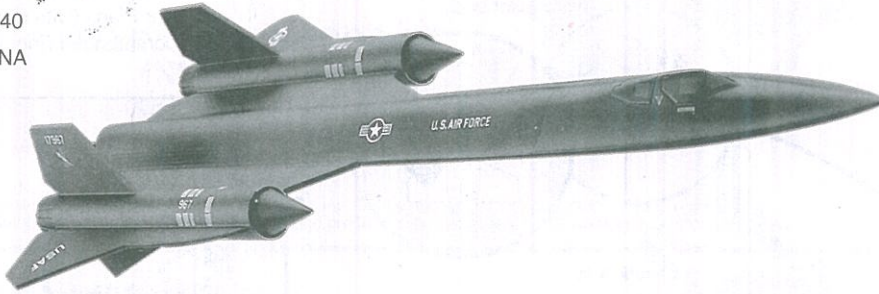


www.estesrockets.com
 ESTES INDUSTRIES
 1295 H Street
 Penrose, CO 81240
 PRINTED IN CHINA

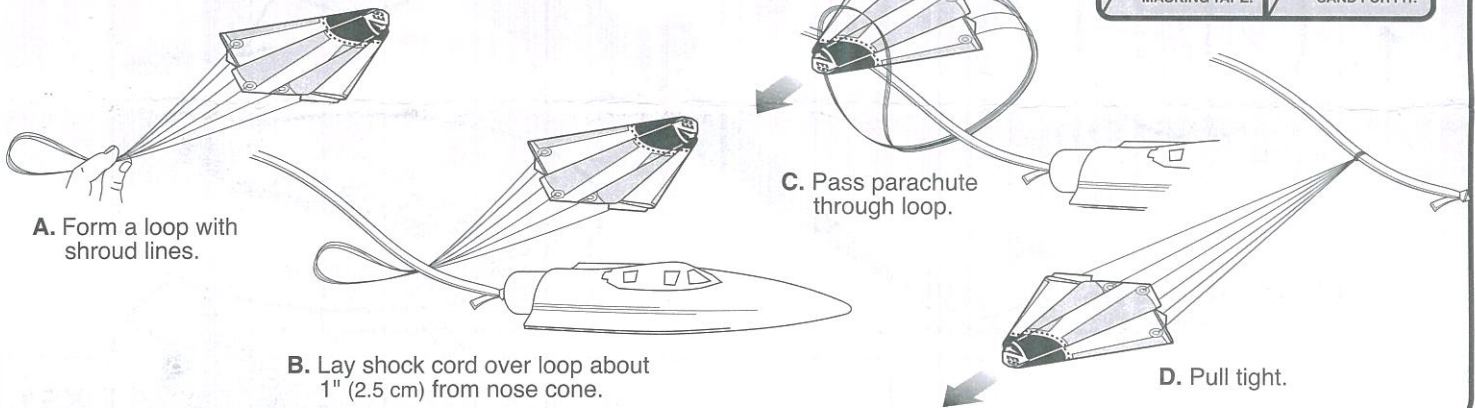
SR-71 BLACKBIRD™

FLYING MODEL ROCKET INSTRUCTIONS
 KEEP FOR FUTURE REFERENCE

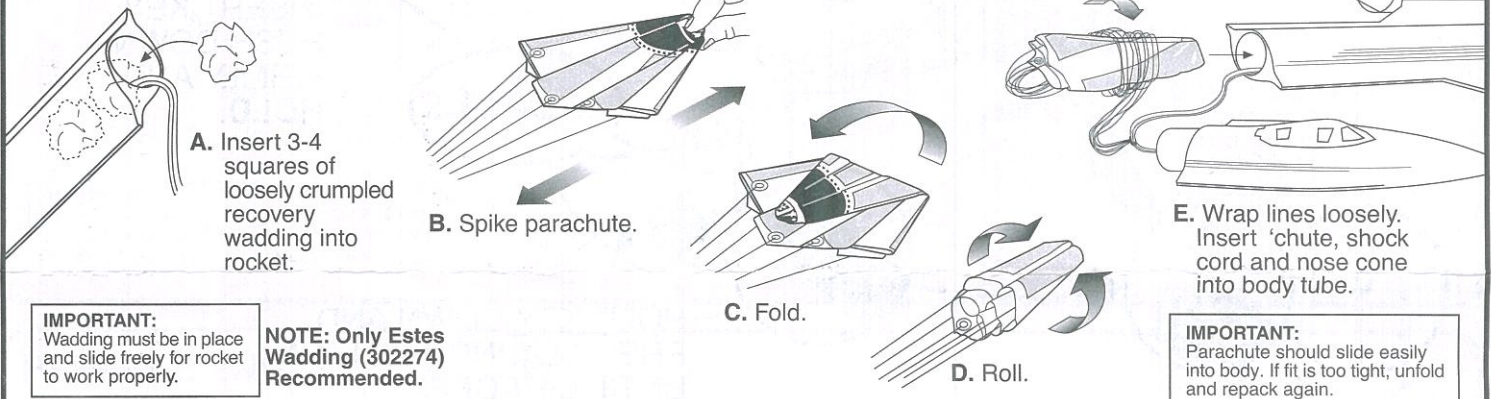
OPERATION
 SEARCH & DESTROY
 #1886



1. ATTACH PARACHUTE



2. PREPARE PARACHUTE FOR FLIGHT



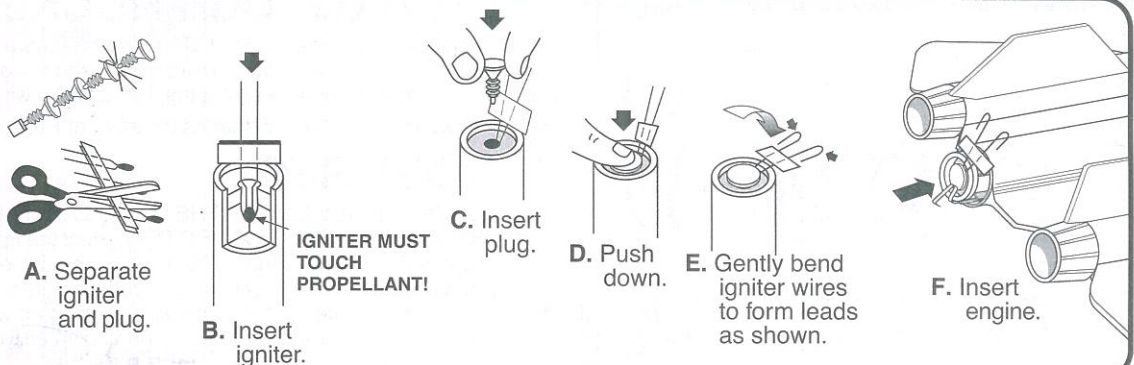
PREPARE ENGINE

⚠ WARNING: FLAMMABLE

To avoid serious injury, read instructions & NAR Safety Code included with engines.

PREPARE YOUR ENGINE ONLY WHEN YOU ARE OUTSIDE AT THE LAUNCH SITE PREPARING TO LAUNCH!

If you do not use your prepared engine, remove the igniter before storing your engine.



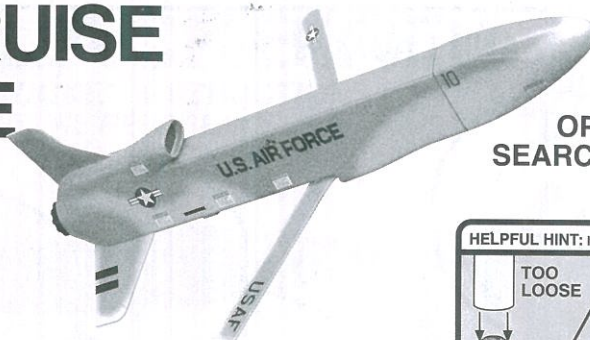


AGM-86™ CRUISE MISSILE

www.estesrockets.com

ESTES INDUSTRIES
1295 H Street
Penrose, CO 81240
PRINTED IN CHINA

FLYING MODEL ROCKET INSTRUCTIONS KEEP FOR FUTURE REFERENCE



OPERATION
SEARCH & DESTROY
#1886

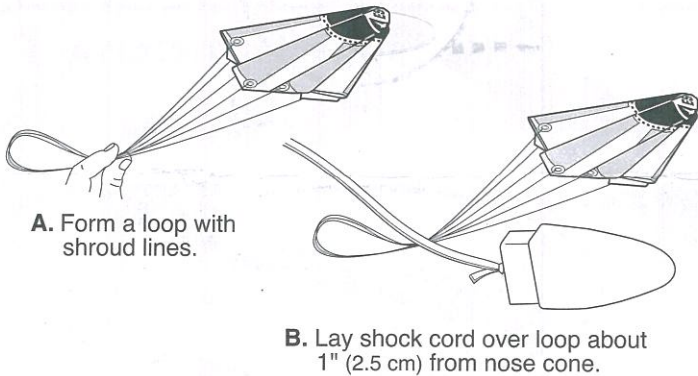


Produced under license from Boeing Management Company. Boeing, McDonnell Douglas, McDonnell, Douglas, North American Aviation and their distinctive liveries, logos, and product markings are among the trademarks owned by Boeing.

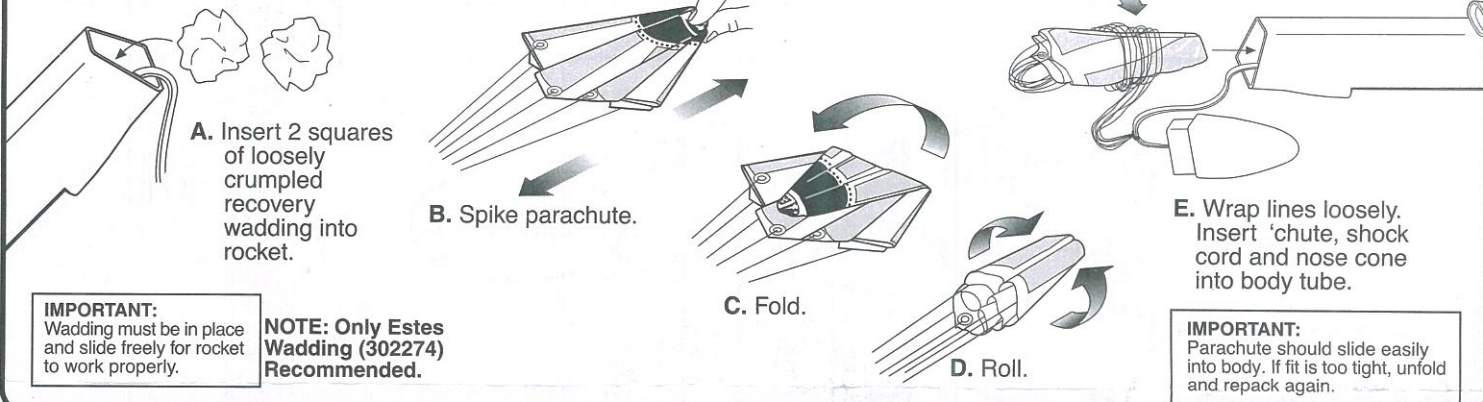
HELPFUL HINT: IF NOSE CONE/COUPLER FIT IS...

 TOO LOOSE	 TOO TIGHT
 ADD MASKING TAPE.	 SAND FOR FIT.

1. ATTACH PARACHUTE



2. PREPARE PARACHUTE FOR FLIGHT



IMPORTANT: Wadding must be in place and slide freely for rocket to work properly.

NOTE: Only Estes Wadding (302274) Recommended.

IMPORTANT: Parachute should slide easily into body. If fit is too tight, unfold and repack again.

PREPARE ENGINE

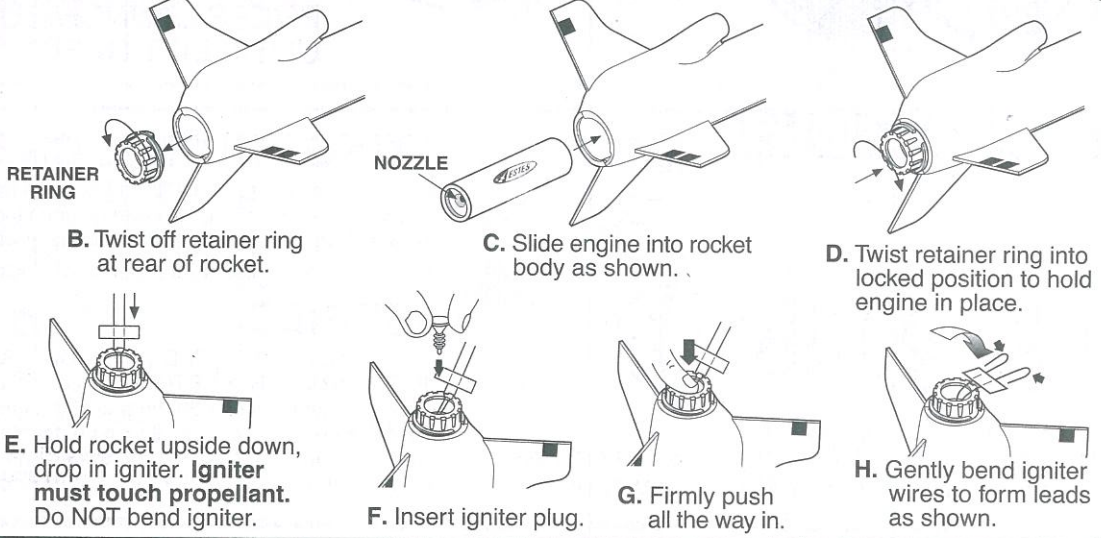


⚠ WARNING: FLAMMABLE

To avoid serious injury, read instructions & NAR Safety Code included with engines.

PREPARE YOUR ENGINE ONLY WHEN YOU ARE OUTSIDE AT THE LAUNCH SITE PREPARING TO LAUNCH!

If you do not use your prepared engine, remove the igniter before storing your engine.



COUNTDOWN AND LAUNCH

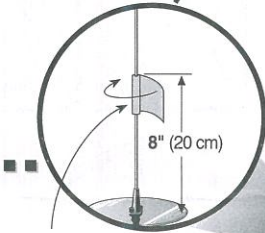
ESTES LAUNCH SUPPLIES

- (Sold Separately)
- Recovery Wadding (included with some Estes Engines)
 - Igniters (with Engines)
 - Igniter Plugs (with Engines)
 - Recommended Engines: A3-4T, A10-3T

KEY ALWAYS OUT UNTIL FINAL COUNTDOWN!

CAUTION: In order for the AGM-86™ Cruise Missile to launch safely, the wings must be in line with the rocket body.

1...



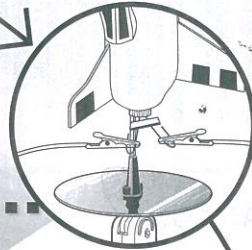
MASKING TAPE

IMPORTANT: Make sure wings are folded in before launching.

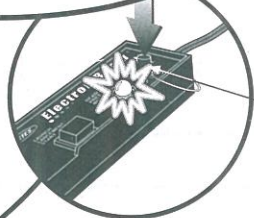
2...



3...



4...



KEY

INSERT KEY. PUSH DOWN FIRMLY AND HOLD.

5...

4... 3... 2... 1...

HOLD KEY DOWN AND PRESS LAUNCH BUTTON UNTIL LIFT-OFF!

PRECAUTIONS

NAR Safety Code



NO DRY GRASS OR WEEDS

FLYING YOUR ROCKET

Choose a large field (250 ft. [76 m] square) free of dry weeds and brown grass. The larger the launch area, the better your chance of recovering your rocket. Football fields and playgrounds are great. Launch only with little or no wind and good visibility. Always follow the National Association of Rocketry (NAR) SAFETY CODE.

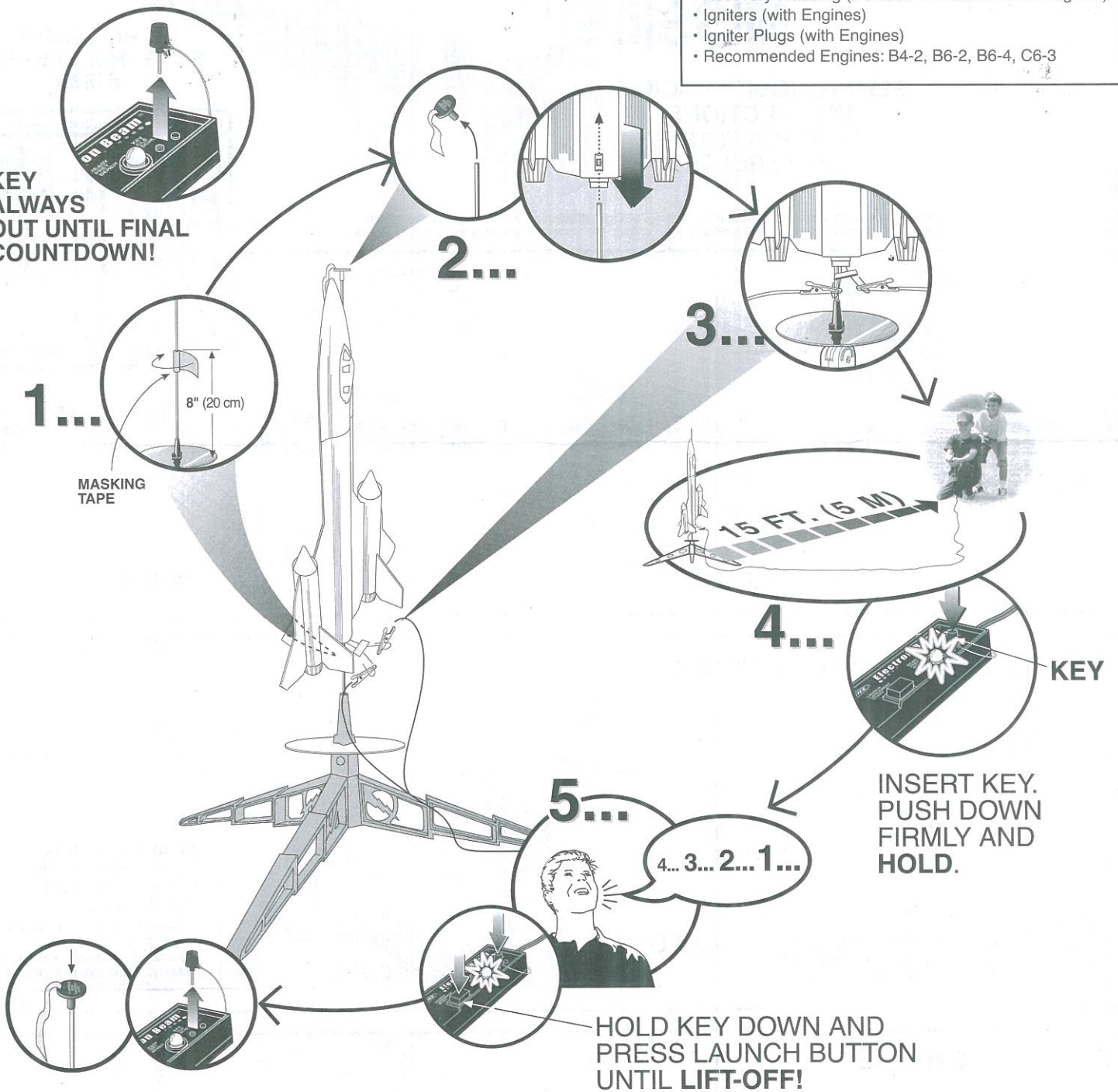
MISFIRES

TAKE THE KEY OUT OF THE CONTROLLER. WAIT ONE MINUTE BEFORE GOING NEAR THE ROCKET! Disconnect the igniter clips. Take the plug and igniter out of the engine. If the igniter has burned, it worked but did not ignite the engine because it was not touching the propellant inside the engine. Put a new igniter all the way inside the engine without bending it. Push the plug in place. Repeat the steps under Countdown and Launch.

COUNTDOWN AND LAUNCH

- ESTES LAUNCH SUPPLIES** (Sold Separately)
- Recovery Wadding (included with some Estes Engines)
 - Igniters (with Engines)
 - Igniter Plugs (with Engines)
 - Recommended Engines: B4-2, B6-2, B6-4, C6-3

KEY ALWAYS OUT UNTIL FINAL COUNTDOWN!



PRECAUTIONS

NAR Safety Code



NO DRY GRASS OR WEEDS

FLYING YOUR ROCKET

Choose a large field (500 ft. [152 m] square) free of dry weeds and brown grass. The larger the launch area, the better your chance of recovering your rocket. Football fields and playgrounds are great. Launch only with little or no wind and good visibility. Always follow the National Association of Rocketry (NAR) SAFETY CODE.

MISFIRES

TAKE THE KEY OUT OF THE CONTROLLER. WAIT ONE MINUTE BEFORE GOING NEAR THE ROCKET! Disconnect the igniter clips and remove engine. Take the plug and igniter out of the engine. If the igniter has burned, it worked but did not ignite the engine because it was not touching the propellant inside the engine. Put a new igniter all the way inside the engine without bending it. Push the plug in place. Repeat the steps under Countdown and Launch.