

INCHES

HONEST JOHN

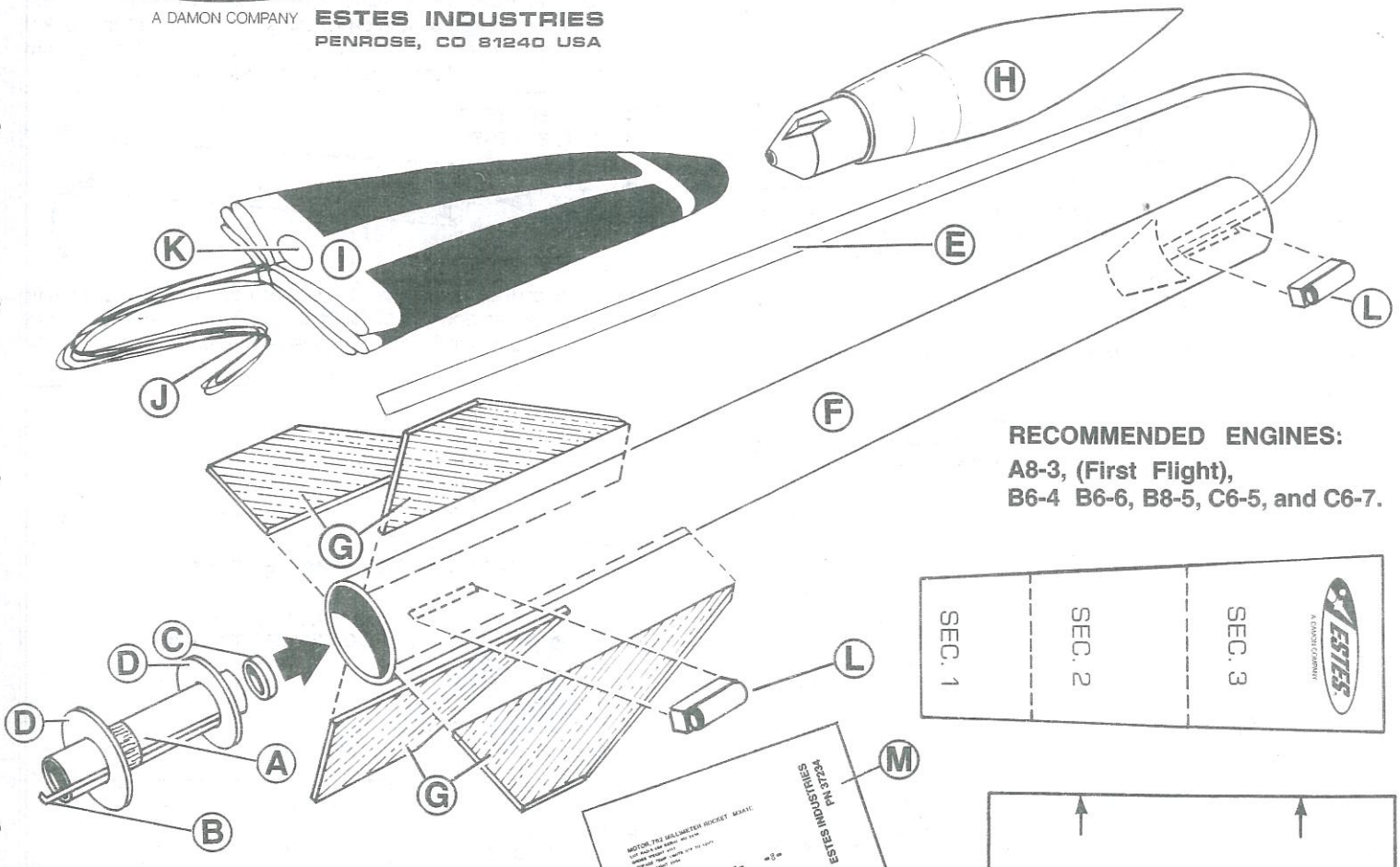
SKILL LEVEL 2 - Suggested For Intermediate Modelers



A DAMON COMPANY **ESTES INDUSTRIES**
PENROSE, CO 81240 USA

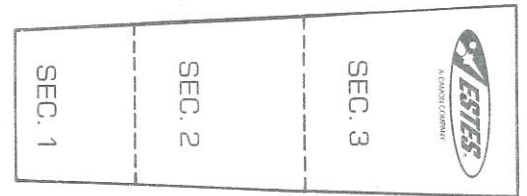
BEFORE YOU START

Read all instructions before beginning work on your model. Make sure you have all parts and materials. When you are thoroughly familiar with the assembly procedure, begin construction. Check off each step as you complete it. In each step, test-fit the parts together before applying any glue. If some part doesn't fit properly, sand lightly or build up as required for precision assembly.



RECOMMENDED ENGINES:

A8-3, (First Flight),
B6-4 B6-6, B8-5, C6-5, and C6-7.

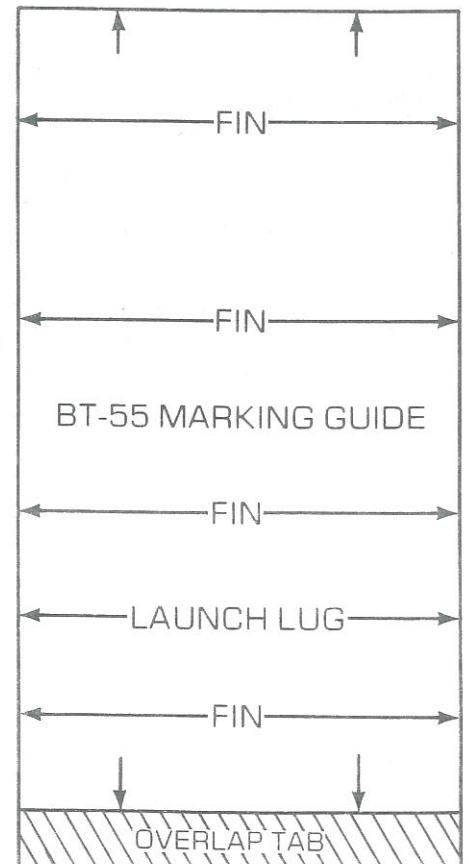
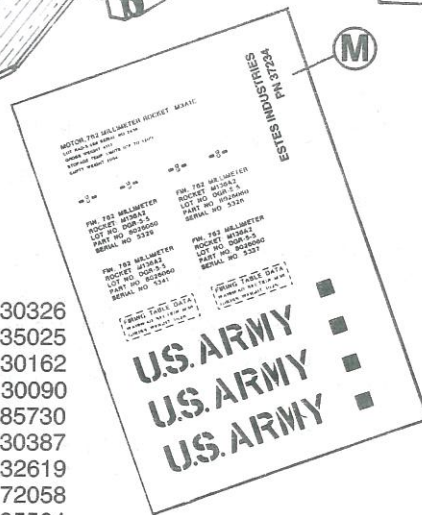


PARTS LIST KIT NO. 1919

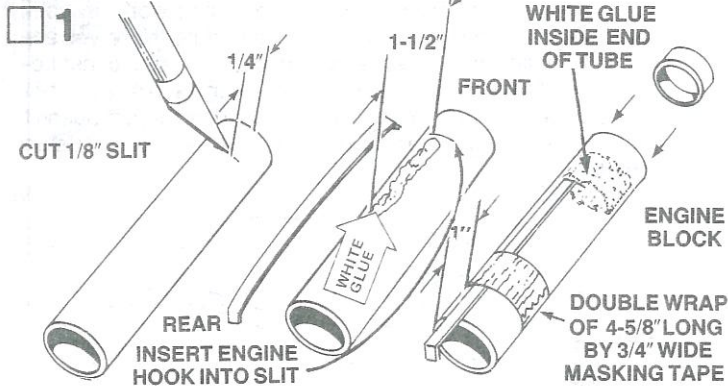
A	1 Engine Mount Tube (BT-20J)	30326
B	1 Engine Hook (EH-2)	35025
C	1 Engine Block (AR-520)	30162
D	1 Adapter Ring Set (TA-1327)	30090
E	1 Shock Cord (SC-1)	85730
F	1 Body Tube (BT-55KA)	30387
G	1 Die-Cut Balsa Fin Sheet	32619
H	1 Plastic Nose Cone (PNC-55HJ)	72058
I	1 Parachute (PK-12)	85564
J	1 Shroud Line (SLT-72)	38237
K	1 Tape Discs Set (TD-3F)	38406
L	1 Launch Lug (LL-2A)	38175
M	1 Decal (KD-1919)	37234

TOOLS AND MATERIALS

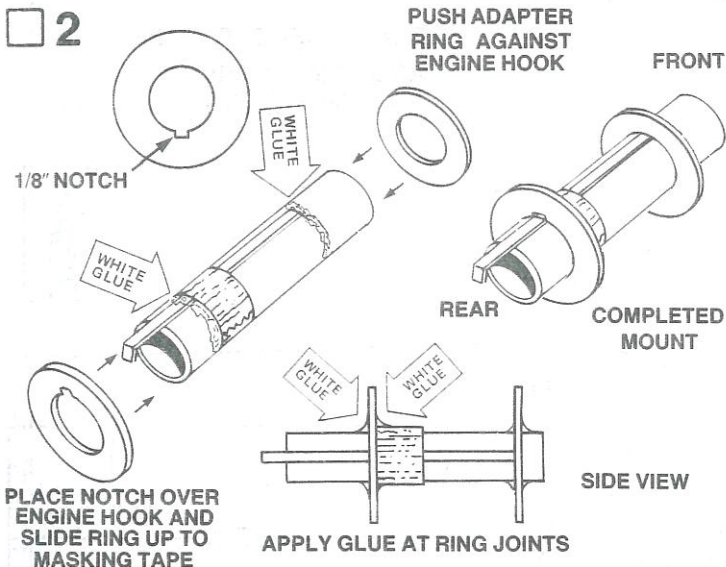
In addition to the parts included in the kit you will need an X-Acto type modeling knife, white glue (Elmer's, Titebond, or similar), scissors, pencil, ruler, masking tape, fine and extra-fine grit sandpaper, sanding sealer, and a medium-size modeling paint brush. To paint your model we recommend gray primer and olive drab spray paint. Dull and gloss clear spray may be used to protect the decals. For easy and positive alignment of the fins on your model, we recommend the use of Estes' Fin Alignment Guide part number 2231.



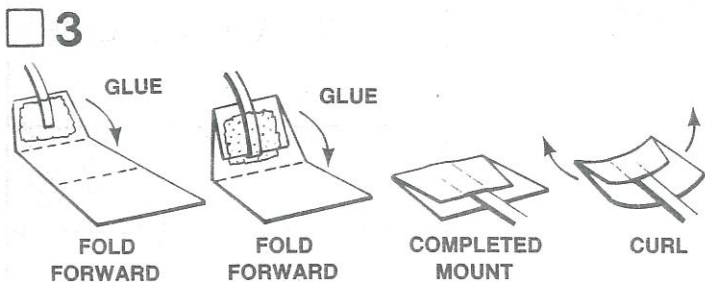
ASSEMBLY INSTRUCTIONS



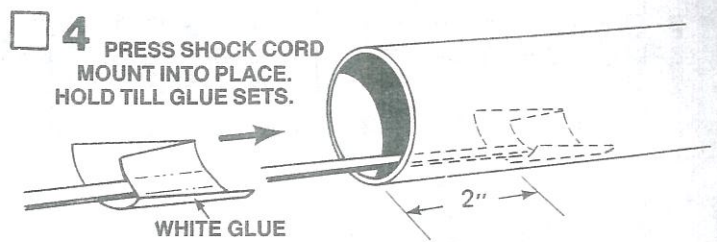
Cut a 1/8" long slit in the engine mount tube (Part A), 1/4" from one end as shown. Apply a 1-1/2" line of glue straight along the tube as shown. Push one end of the engine hook (part B) into the slit and press the main part of the hook into the glue. Cut a 4-5/8" long piece of 3/4" wide masking tape. Wrap the tape twice around the engine tube-engine hook assembly so the tape is 1" from the rear of the tube. Run a line of white glue inside the front end of the tube. Push the engine block (part C) into the front of the tube up to the engine hook end inside the tube. Set the completed engine tube assembly aside to dry.



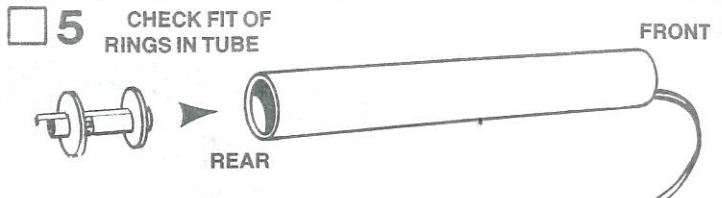
Carefully separate the two adapter rings (part D) from the die-cut card sheet. Slide the notched adapter ring over the rear of the engine tube up to the masking tape so that the notch is over the engine hook. Slide the other adapter ring over the front of the engine tube up to the engine hook as shown. Glue the rings in place by applying a line of glue where ring meets tube all around both sides of each ring. Set the assembly on one end while the glue dries.



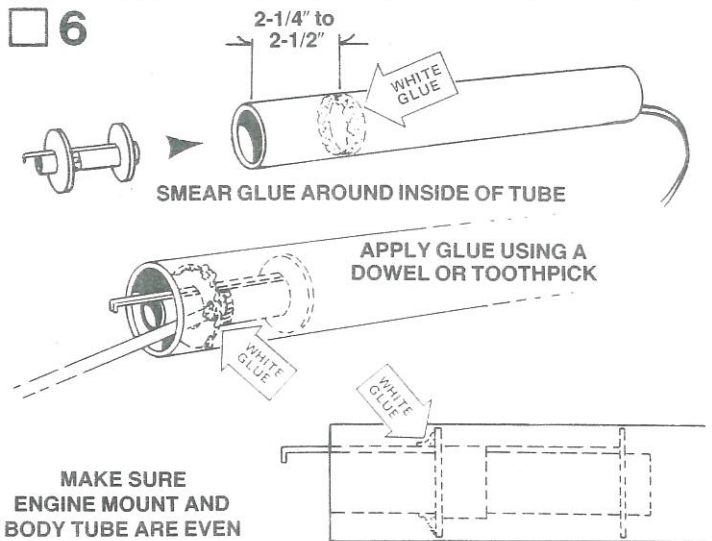
Cut out the shock cord mount found on page 1. Crease it on the dotted lines by folding. Spread glue on section 1 and lay one end of the shock cord (part E) into the glue. Fold over and apply glue to the back of section 1 and the exposed part of section 2. Lay the shock cord as shown and fold over again. Clamp the unit together with your fingers until the glue sets.



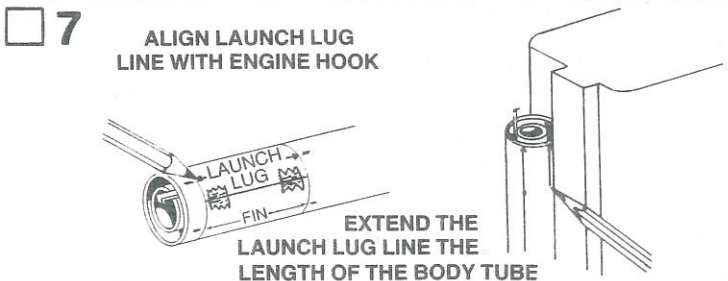
Smear glue over the entire backside of the shock cord mount. Hold the mount as shown and press it into place inside one end of the rocket body tube (part F). Make sure the front of the mount is at least 2" from the end of the tube. Hold the mount in place until the glue sets.



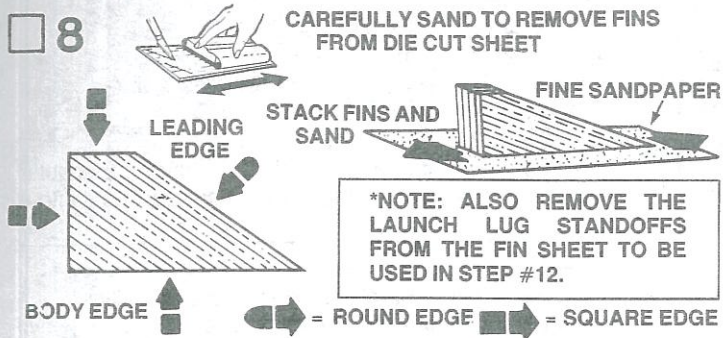
When the glue on the engine mount has dried completely, check the fit of the rings inside the body tube. The rings should slide easily into the tube. If the fit is tight, sand the outer edges of the rings until they slide easily in the body tube.



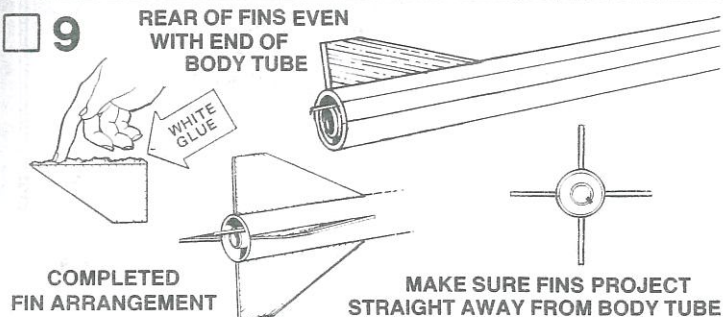
Apply a ring of glue around inside of rear end (the end opposite the shock cord mount) of body tube about 2-1/4" to 2-1/2" from the end of the tube. Slide the engine mount unit, engine block first, into the body tube so that the engine tube and body tube are even. Do not pause while inserting the engine mount or the glue may "grab" with the mount in the wrong position. Finish the installation by applying glue to the joint between the rear ring and the body tube. (Use a dowel or toothpick to apply the glue.)



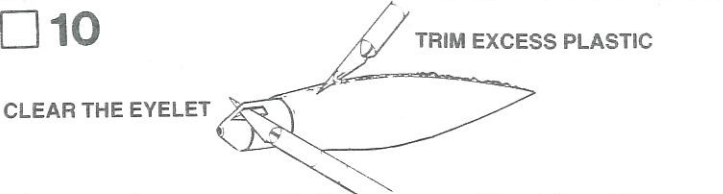
Cut out the body tube marking guide found on page 1 of the instruction sheet. Wrap the guide tightly around the rear of the body tube. Align the guide lines and tape the guide together. Line up the launch lug line with the engine hook. Mark the fin lines and the launch lug lines on the body tube. Remove the guide. Press the body tube firmly against the inside of a door frame as shown. Draw a line through each pair of marks 4" up from the rear.



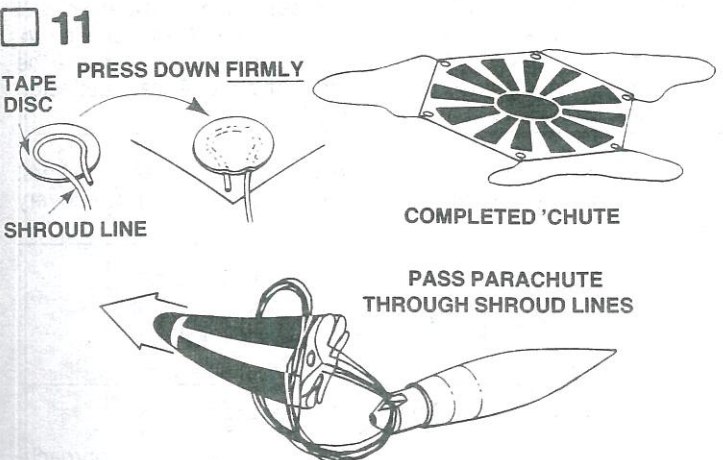
Fine-sand both sides of the balsa fin sheet (part G). Carefully remove the fins from the sheet using a sharp knife to cut free the corners and edges. Stack the fin set and sand as shown. Sand round the leading edges. The body edge must be square.



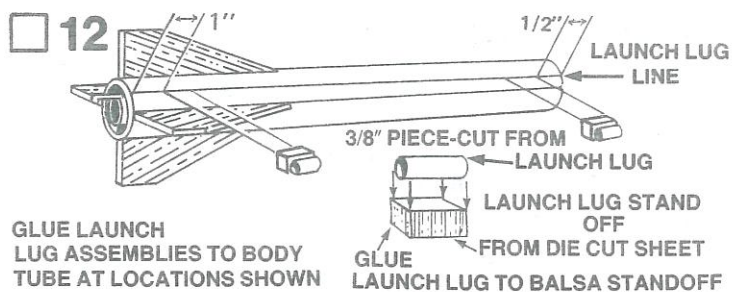
Rub a line of glue into the root (body) edge of each fin. Allow the glue to dry. Glue the fins to the body tube on the guide lines so that they are even with the rear of the body tube. Be sure that the leading edge (the edge that is parallel to the wood grain direction) is to the front of the tube as shown. Adjust the fins so they project straight away from the body. Set the rocket upright while the glue dries. DO NOT set the rocket on its side while the glue is wet.



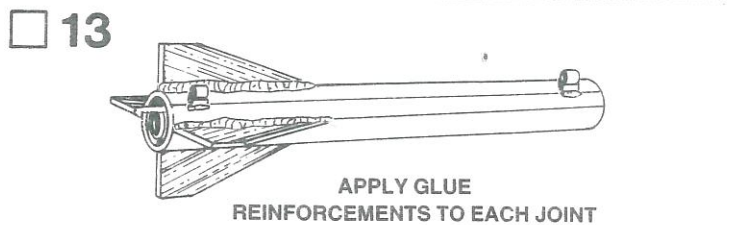
Trim or sand any excess plastic from around the sides of the nose cone (part H). Use a sharp knife to remove any excess plastic from the inside of the molded eyelet at the rear of the nose cone. Wash the nose cone in warm soapy water, rinse well, and let dry.



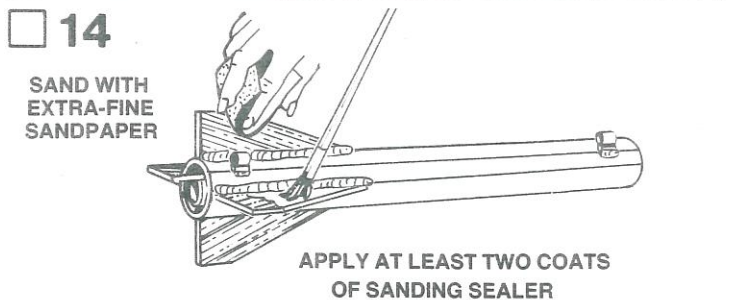
Cut out the parachute (part I) on its edge lines. Cut three 24" lengths of shroud line (part J). Attach line ends to the top of the parachute with tape discs (part K) as shown. Pass the shroud line loops through the eyelet on the nose cone. Pass the parachute through the loop ends and pull the lines tight against the eyelet. Set the knot with a drop of glue. Tie the free end of the shock cord to the eyelet with a double knot.



GLUE LAUNCH LUG ASSEMBLIES TO BODY TUBE AT LOCATIONS SHOWN. Cut two 3/8" pieces from the launch lug (part L). Glue these pieces to the balsa standoffs found on the balsa fin sheet (part G). Now glue the launch lug assemblies to the body tube 1" from the rear and 1/2" from the front. Align the launch lug assemblies along the body tube, and straight away from the body tube.

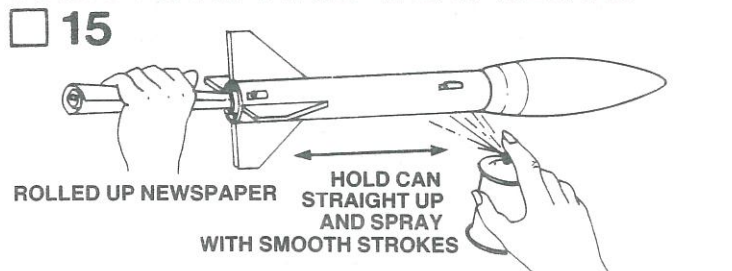


When the fin joints and launch lugs have dried, apply a glue reinforcement to each joint. Holding the model level, apply a narrow line of glue to both sides of each fin joint and the launch lugs. Smooth out the glue with your finger. Be sure there is no excess glue in front of or behind the launch lugs. Keep the model level until the glue dries.

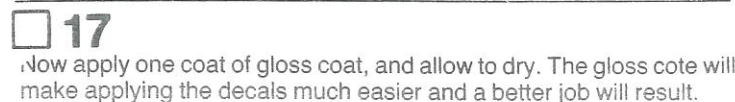


When all the glue on the model is dry, prepare the balsa fins for painting. Apply at least two coats of sanding sealer to all balsa surfaces. Let dry and sand thoroughly with the extra-fine grit sandpaper after each coat. Do this until all the tiny grain lines in the wood are filled and everything looks and feels smooth.

PAINTING AND DETAILING

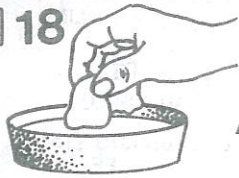


Insert a sheet of rolled-up newspaper or heavy paper into the rocket body as shown. Apply two or three light coats of gray primer spray paint to the entire unit. Allow each coat to dry thoroughly before applying the next coat.



DECAL PLACEMENT

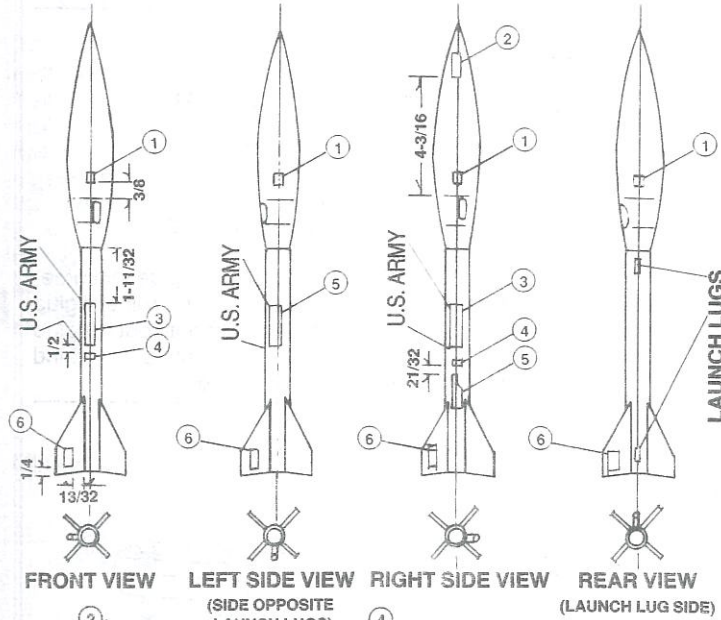
18



DIP DECAL
IN WATER FOR
ABOUT 10 SECONDS



When all paint is completely dry, apply decals (part M) in the positions shown below. To apply decals, cut out a decal section, dip it in lukewarm water for 10 seconds, and hold it until it starts to uncurl. Slip the decal off the backing sheet and onto your model. Blot excess water away. When all decals are in place, let the model dry overnight. After drying, apply a coat of Dull Cote to protect the decals.



*Place all lettered decals on each side of your model so that they are all readable in the same direction as the U.S. Army insignia for that particular side.

<p>FRONT VIEW DATA: PART NO. 000000 SERIAL NO. 5322</p>	<p>FRONT VIEW DATA: PART NO. 000000 SERIAL NO. 5322</p>	<p>FIN. 762 MILLIMETER ROCKET MOUNT LOT NO. 000-5-5 PART NO. 000000 SERIAL NO. 5341</p>	<p>FIN. 762 MILLIMETER ROCKET MOUNT LOT NO. 000-5-5 PART NO. 000000 SERIAL NO. 5326</p>	<p>FIN. 762 MILLIMETER ROCKET MOUNT LOT NO. 000-5-5 PART NO. 000000 SERIAL NO. 5327</p>	<p>MOTOR 762 MILLIMETER ROCKET MOUNT LOT NO. 000-5-5 PART NO. 000000 SERIAL NO. 5328</p>
---	---	---	---	---	--

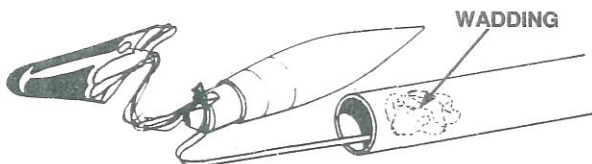
LAUNCHING COMPONENTS

To launch your rocket you will need the following items:
 An Estes model rocket launch system
 Parachute recovery wadding (Estes Cat. No. 2274)
 Estes A8-3, B6-4, B6-6, B8-5, C6-5, or C6-7 model rocket engines. Use an A8-3 engine for your first flight.

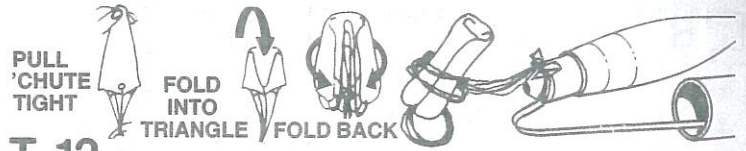
IMPORTANT:

Be sure to follow the HIAA-NAR* Model Rocket Safety Code when carrying out your model rocket activities.
 *HIAA—Hobby Industry of America
 *NAR—National Association of Rocketry

COUNTDOWN CHECKLIST



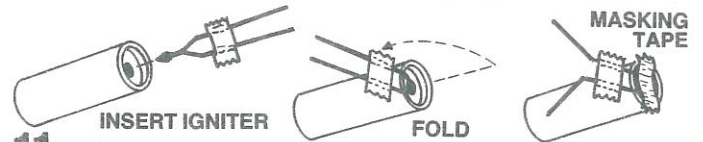
T-13 Pack 5 to 6 squares of loosely crumpled recovery wadding into the rocket body.



T-12 Gather the parachute as shown then fold into a triangular shape. Fold again and insert into rocket body. Slide nose cone into place.

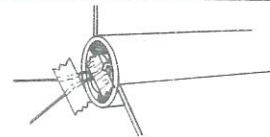
NOTE: DO NOT pack parachute until you are actually ready to launch. For maximum parachute reliability, lightly dust the 'chute with ordinary talcum powder before each flight, especially in cold weather.

NOTE: Nose cone should separate easily from rocket body tube, but should not be extremely loose. If fit is too tight, sand inside of body tube and shoulder of nose cone with fine sandpaper. If fit is too loose, add a wrapping of transparent tape or masking tape to the shoulder of the nose cone.



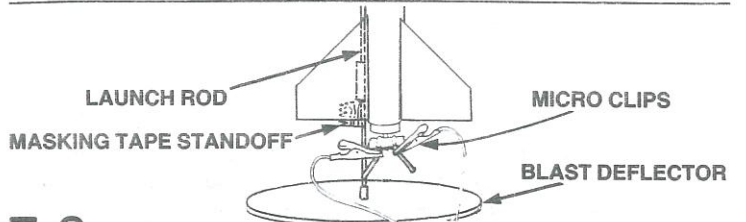
T-11 Select an engine and install an igniter as directed in the engine instructions. Use an A8-3 engine for your first flight.

LATCH ENGINE HOOK
SECURELY OVER
END OF THE ENGINE



T-10 Insert engine into rocket engine mount. Engine hook must latch securely over end of engine.

T-9 Disarm the launch panel—REMOVE SAFETY KEY!



T-8 Slide launch rod through rocket launch lugs and place rocket on launch pad. Make sure the rocket slides freely on the launch rod. Clean the micro-clips and attach them to the igniter wires. Arrange the clips so they do not touch each other or the metal blast deflector. Attach clips as close to tape as possible.

T-7 Clear the launch area, alert recovery crew and trackers. Check for low flying aircraft and unauthorized persons in the recovery area.

T-6 Arm the launch panel—INSERT SAFETY KEY!
-5-4-3-2-1-LAUNCH!!

Repeat the Countdown Checklist for each flight.

MISFIRE PROCEDURE

Disarm the launch panel. Wait one minute before approaching the rocket on the launch pad. Remove the rocket, clean the igniter residue from the nozzle of the engine, and carefully install a new igniter. Repeat the Countdown Checklist.

Failure of the rocket engine to function properly is nearly always caused by a failure to install the igniter correctly. This failure permits the igniter to heat and burn into two pieces without igniting the engine.