

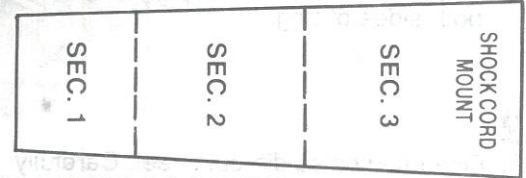
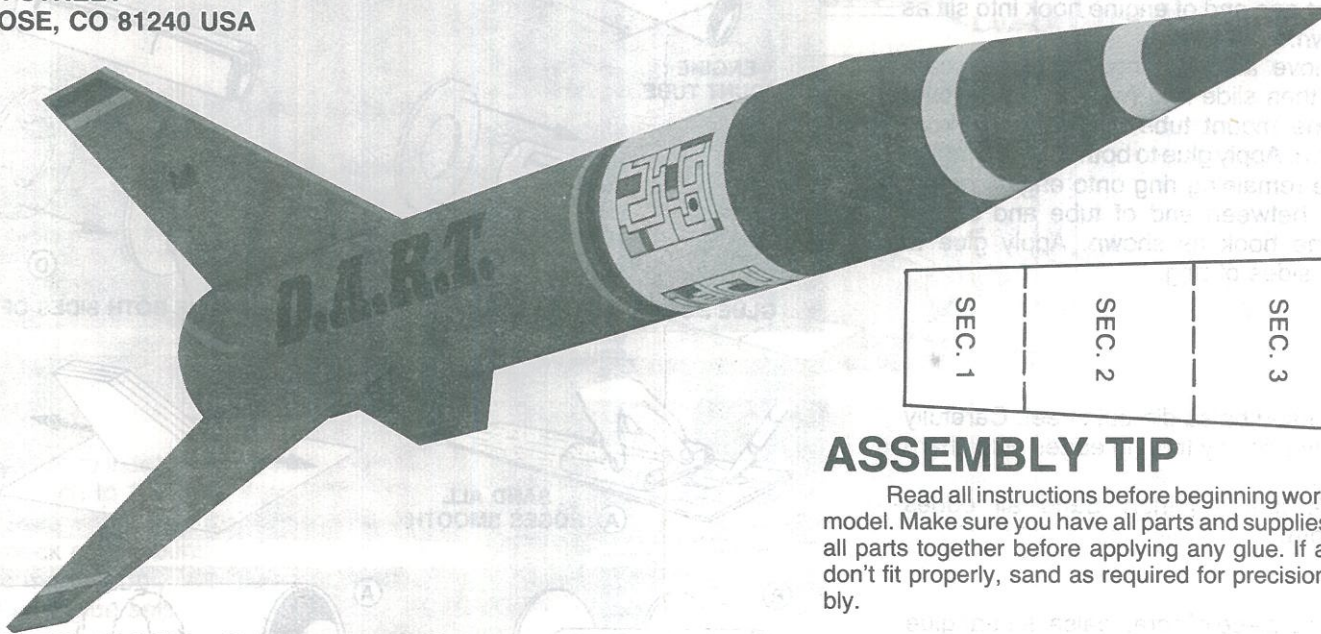


A DAMON COMPANY

ESTES INDUSTRIES
1295 H STREET
PENROSE, CO 81240 USA

D.A.R.T.

#1981

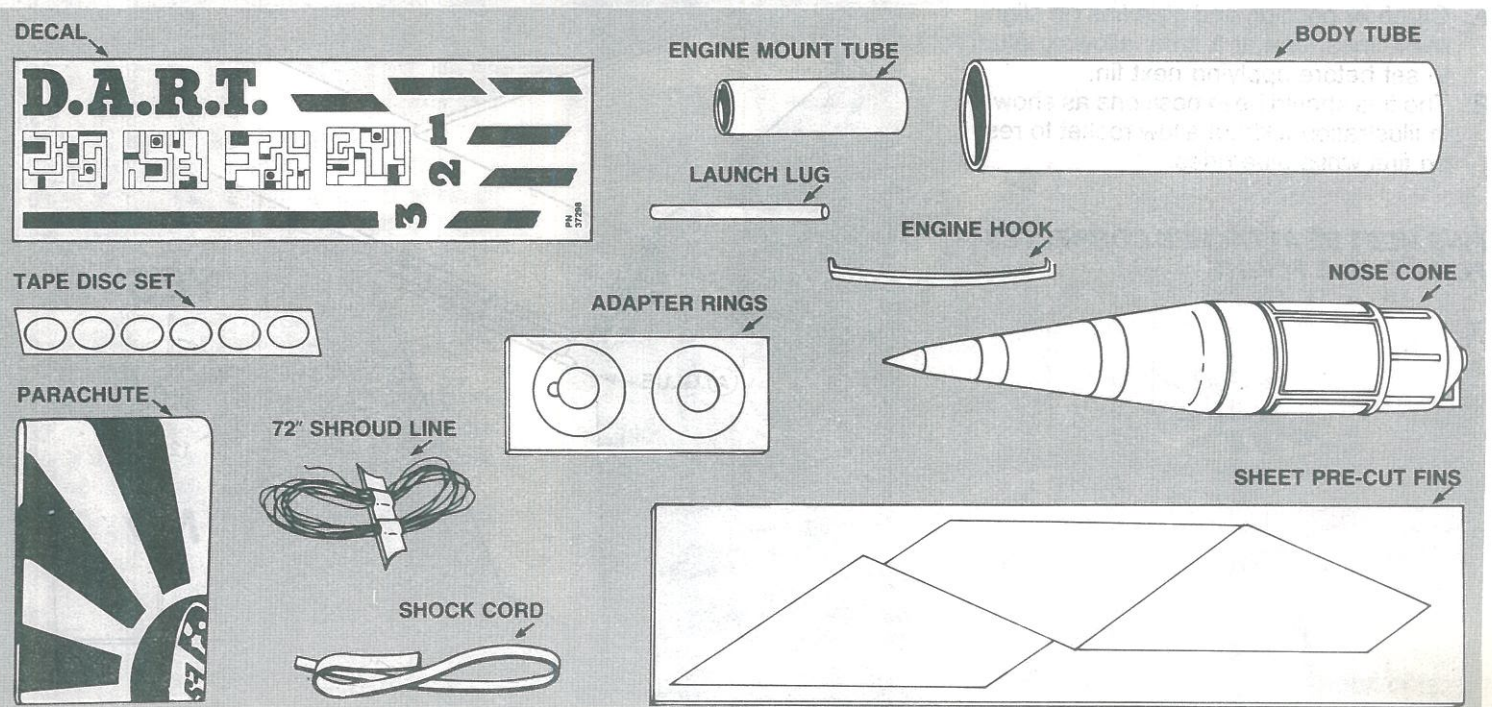
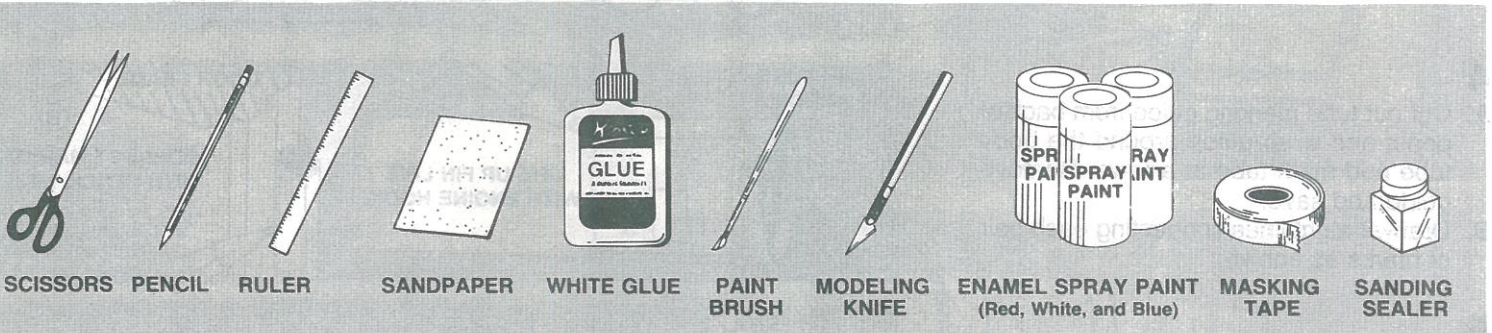


ASSEMBLY TIP

Read all instructions before beginning work on your model. Make sure you have all parts and supplies. Test-fit all parts together before applying any glue. If any parts don't fit properly, sand as required for precision assembly.

PARTS AND SUPPLIES

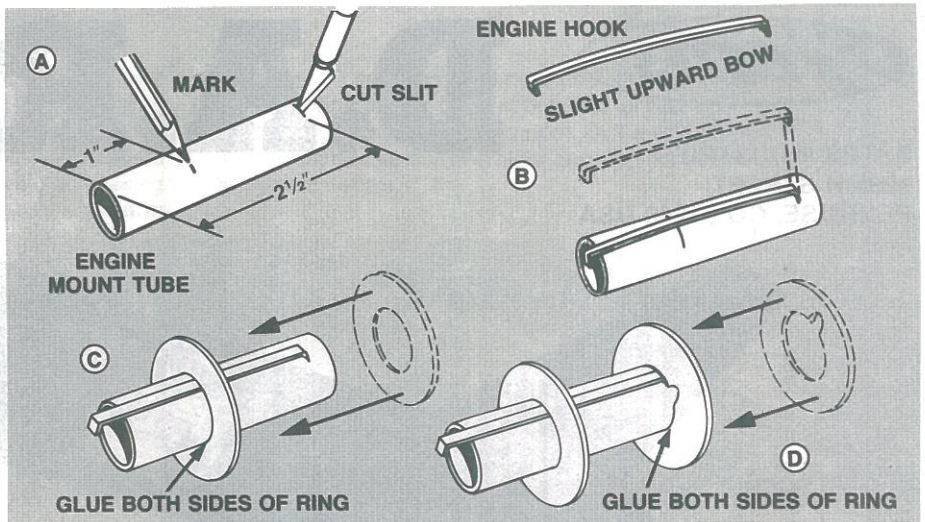
Locate the parts shown below and lay them out on the table in front of you. In addition to the parts included in the kit you will also need:



ROCKET ASSEMBLY

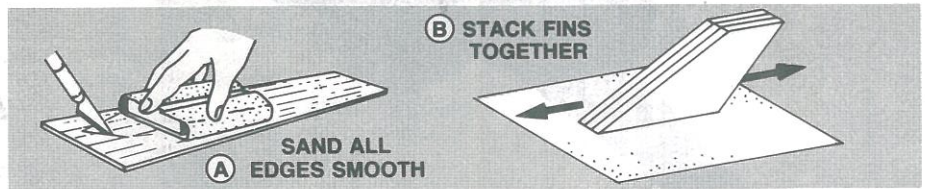
1

- A. Mark engine mount tube 1 inch and 2½ inches from one end and then cut 1/8 inch long slit at 2½ inch mark as shown.
- B. Insert one end of engine hook into slit as shown.
- C. Remove adapter rings from their card and then slide ring (without notch) over engine mount tube to 1 inch mark as shown. Apply glue to both sides of ring.
- D. Slide remaining ring onto engine mount tube between end of tube and end of engine hook as shown. Apply glue to both sides of ring.



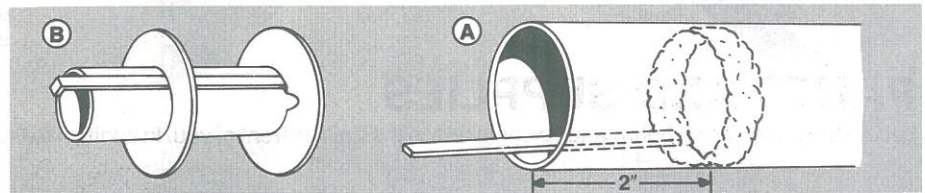
2

- A. Fine sand balsa die-cut sheet. Carefully remove fins by freeing edges with sharp knife.
- B. Stack fins together. Sand all edges smooth.



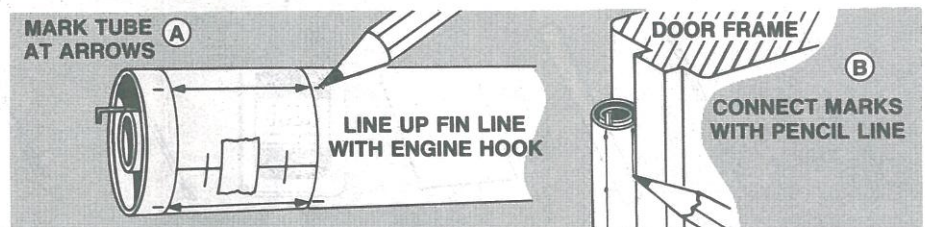
3

- A. Using a piece of scrap balsa, smear glue inside body tube 2 inches from one end.
- B. Push engine mount in tube until ends are even.



4

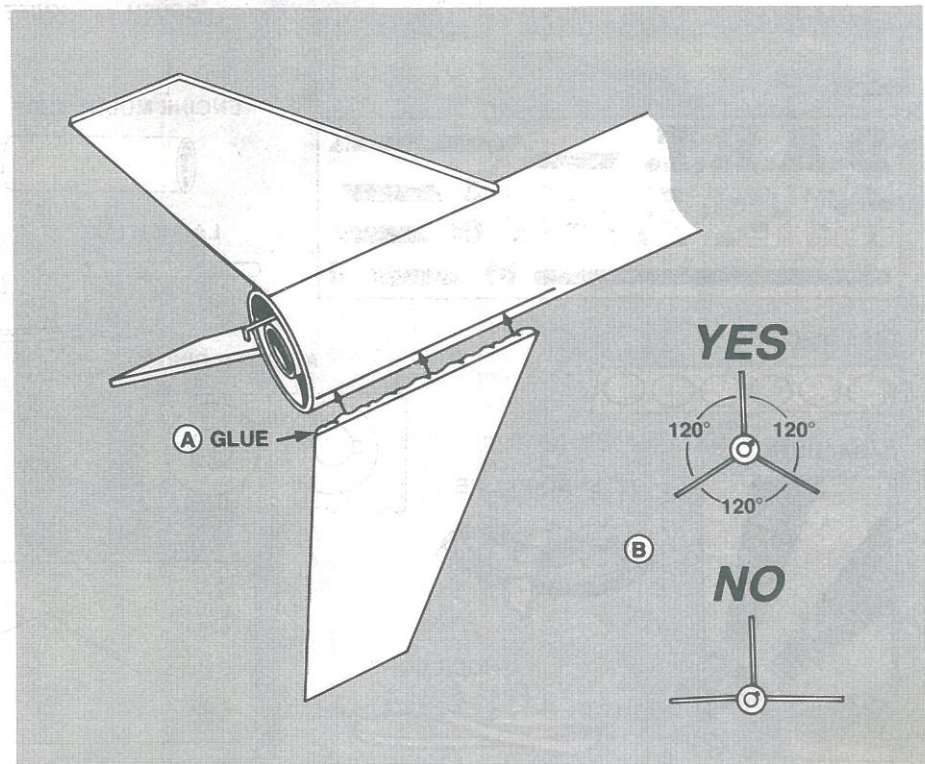
- A. Cut out tube marking guide from back of panel and wrap guide around the body tube and mark tube at arrows. Remove guide and save.
- B. Draw straight lines connecting each pair of marks as shown.



5

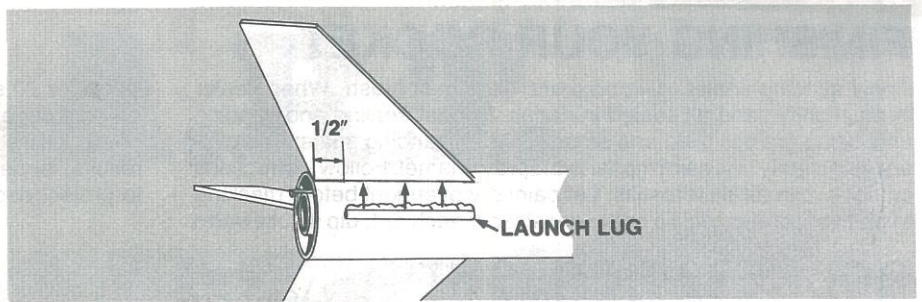
- A. Carefully position and glue fins on alignment lines, one at a time, allowing glue to set before applying next fin.
- B. The fins should be in positions as shown in illustration. Do not allow rocket to rest on fins while glue dries.

FINS MUST BE ATTACHED CORRECTLY FOR STABLE FLIGHT.



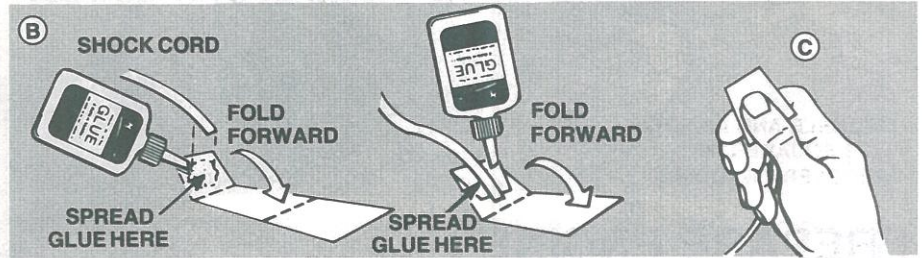
6

- A. Glue launch lug to junction of fin and body tube 1/2 inch up from end of tube as shown.



7

- A. Cut shock cord mount from front page of instructions.
- B. Crease on dotted lines by folding. Spread glue on section 1 and lay end of shock cord into glue. Fold over and apply glue to back of first section and exposed part of section 2. Lay shock cord as shown and fold mount over again.
- C. Clamp unit together with fingers until glue sets.



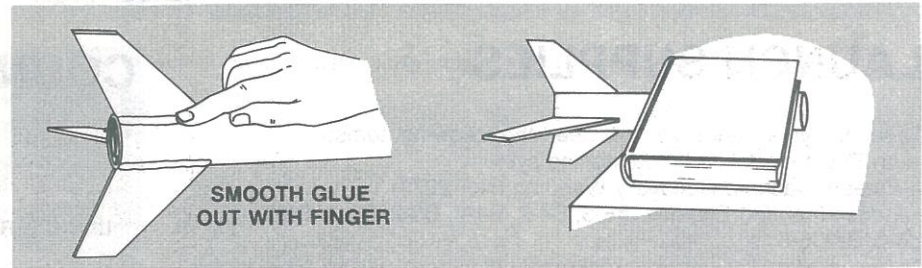
8

- A. Apply glue to inside front of body tube at least 1 inch to 2 inches from front. The glue area should be the same size as the shock cord mount.
- B. Press mount firmly into glue as shown.
- C. Hold until glue sets.



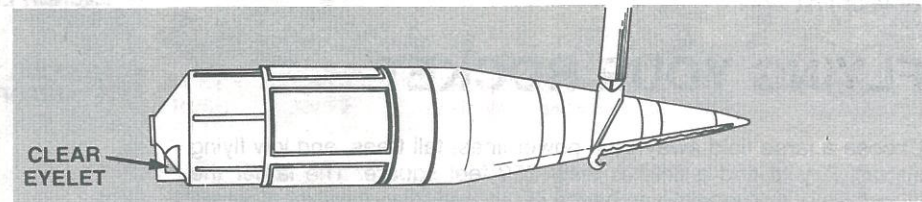
9

- A. Apply a glue reinforcement to each fin/body tube joint and each side of launch lug.
- B. Support rocket as shown until glue dries.



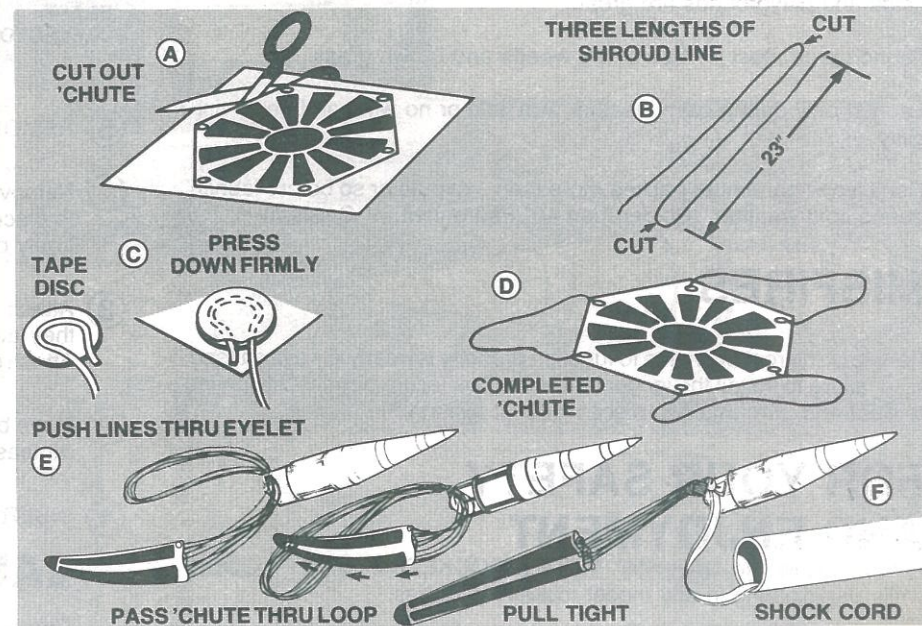
10

- Trim excess plastic from around sides of nose cone with a sharp knife. Also remove any excess plastic from inside molded eyelet. Wipe nose cone with damp cloth to remove oil and dirt.



11

- A. Cut out parachute on edge lines.
- B. Cut three 23 inch lengths of shroud line.
- C. Form small loops with ends of shroud line and press onto sticky side of tape discs. Attach tape discs with line ends to top of parachute as shown.
- D. Press tape discs firmly into place until tape discs and parachute material are molded around shroud line loops.
- E. Pass shroud line loops through eyelet on nose cone. Pass parachute through loop ends and pull lines tight against the nose cone.
- F. Tie free end of shock cord to nose cone eyelet.

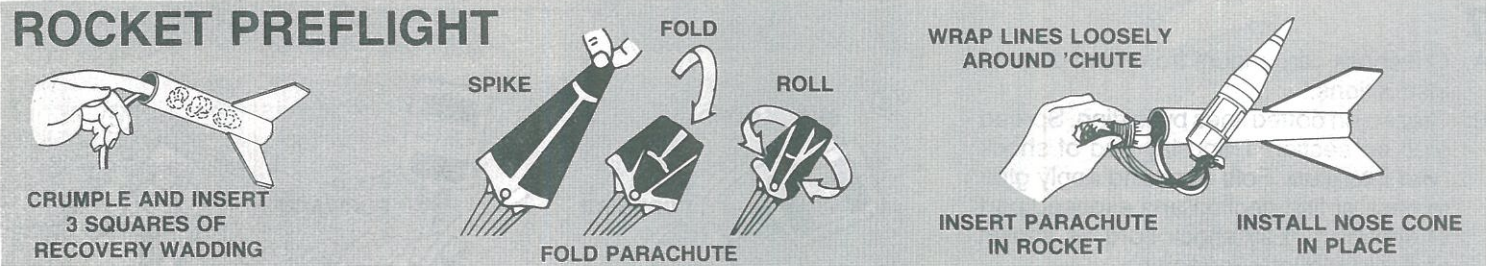


FINISHING YOUR ROCKET

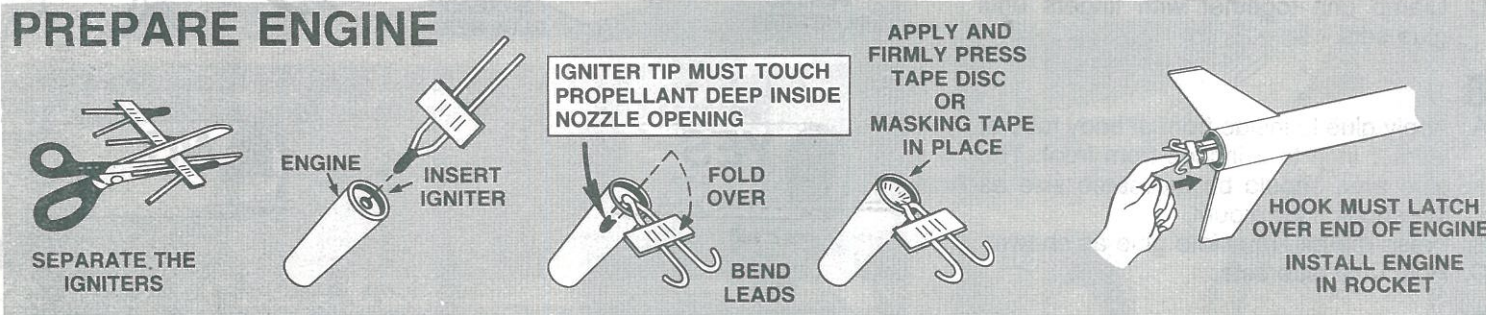
Apply sanding sealer to wood parts with small brush. When sealer is dry, lightly sand all sealed surfaces. Repeat sealing and sanding until balsa grain is filled and smooth. When sanding sealer and glue are completely dry, paint model with spray enamel. Follow instructions on spray can for best results. Let paint dry overnight before masking to paint second color. To apply decals, cut each out, dip in lukewarm

water for 20 seconds, and hold until it uncurls. Refer to photograph on front page and/or on front of panel for decal placement. Slip decal off backing sheet and onto model. Blot away excess water. For best results, let decals dry overnight and apply a coat of clear spray paint to protect decals.

ROCKET PREFLIGHT



PREPARE ENGINE



LAUNCH SUPPLIES

To launch your rocket you will need the following items:

- An Estes model rocket launching system
- Estes Parachute Recovery Wadding (No. 2274)
- Recommended Engines: A8-3, B4-2, B4-4, B6-2, B6-4, B8-5, C5-3, C6-3, or C6-5

To become familiar with your rocket's flight pattern, use an A8-3 engine for your first flight.

FLYING YOUR ROCKET

Choose a large field away from power lines, tall trees, and low flying aircraft. Try to find a field at least 250 feet square. The larger the launch area, the better your chance of recovering your rocket. Football fields and playgrounds are great.

Launch area must be free of dry weeds and brown grass.

Launch only during calm weather with little or no wind and good visibility.

Don't leave parachute packed more than a minute or so before launch during cold weather. [Colder than 40° Fahrenheit (4° Celsius)].

MISFIRES

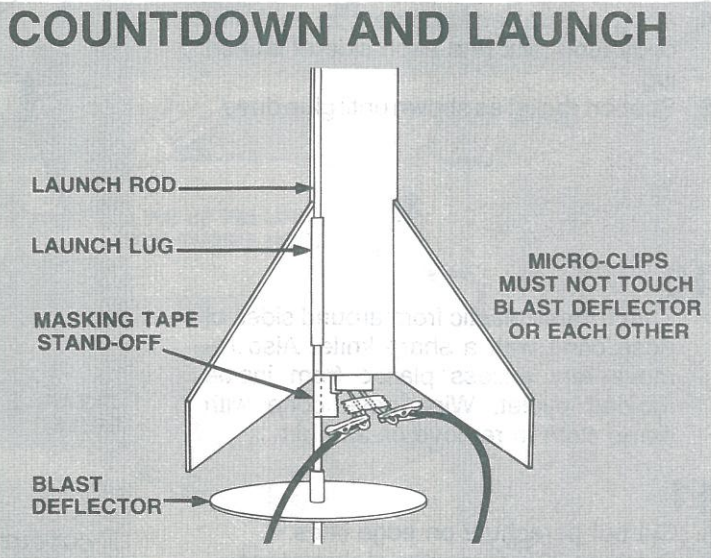
Failure of the rocket engine to function properly is nearly always caused by a failure to install the igniter correctly. This failure permits the igniter to heat and burn into two pieces without igniting the engine.

FOR YOUR SAFETY AND ENJOYMENT

Always follow the NAR-HIA* MODEL ROCKETRY SAFETY CODE while participating in any model rocketry activities.

*National Association of Rocketry-The Hobby Industry of America
page 4

COUNTDOWN AND LAUNCH



- 5 REMOVE SAFETY KEY to disarm the launch controller.
- 4 Remove safety cap and slide launch lugs over launch rod to place rocket on launch pad. Make sure the rocket slides freely on the launch rod.
- 3 Attach micro-clips to the igniter wires. Arrange the clips so they do not touch each other or the metal blast deflector. Attach clips as close to protective tape on igniter as possible.
- 2 Move back from your rocket as far as launch wire will permit (at least 15 feet).
- 1 INSERT SAFETY KEY to arm the launch controller.

LAUNCH!!! PUSH AND HOLD LAUNCH BUTTON UNTIL ENGINE IGNITES

Remove safety key—Replace cap on rod.