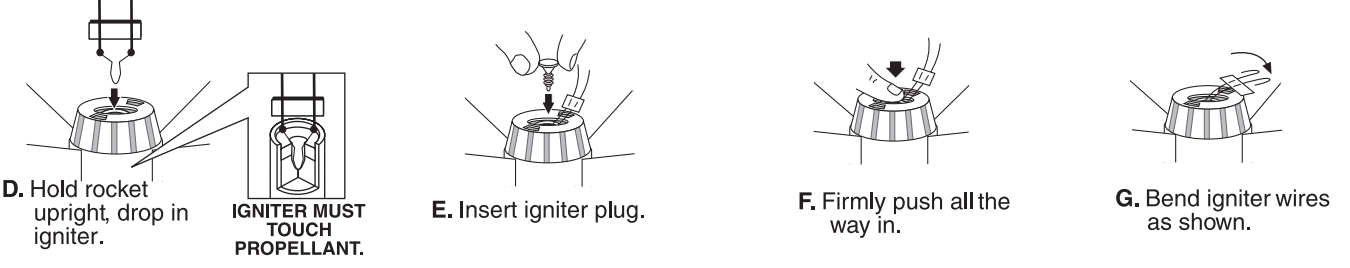
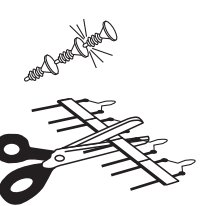


8. PREPARE ENGINE

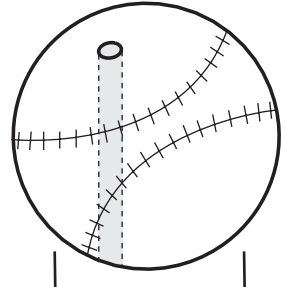
WARNING: FLAMMABLE
To avoid serious injury, read instructions & NAR Safety Code included with engines before proceeding. **PREPARE YOUR ENGINE ONLY WHEN YOU ARE OUTSIDE AT THE LAUNCH SITE PREPARING TO LAUNCH!** If you do not use your prepared engine, remove the igniter before storing your engine.



NOTE: Scrape chrome flash and chrome plating from shoulder of engine lock ring if necessary.



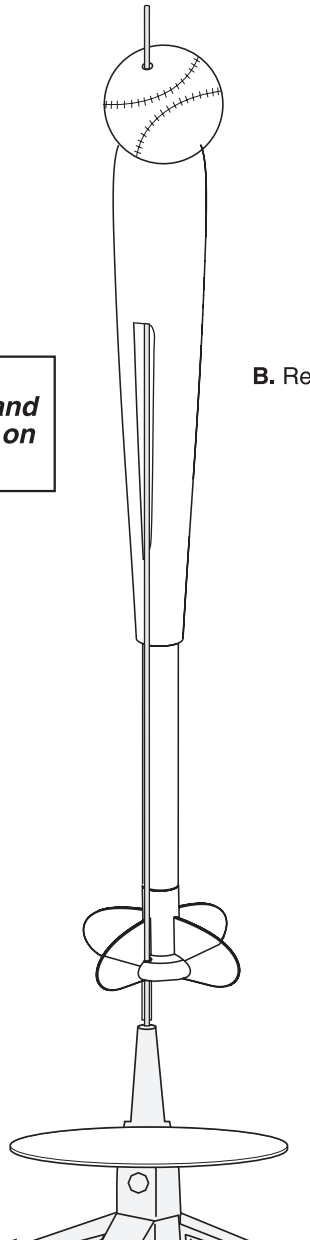
9. LAUNCHING THE BASEBALL



A. After placing rocket on launch pad, place ball onto bat end cap.

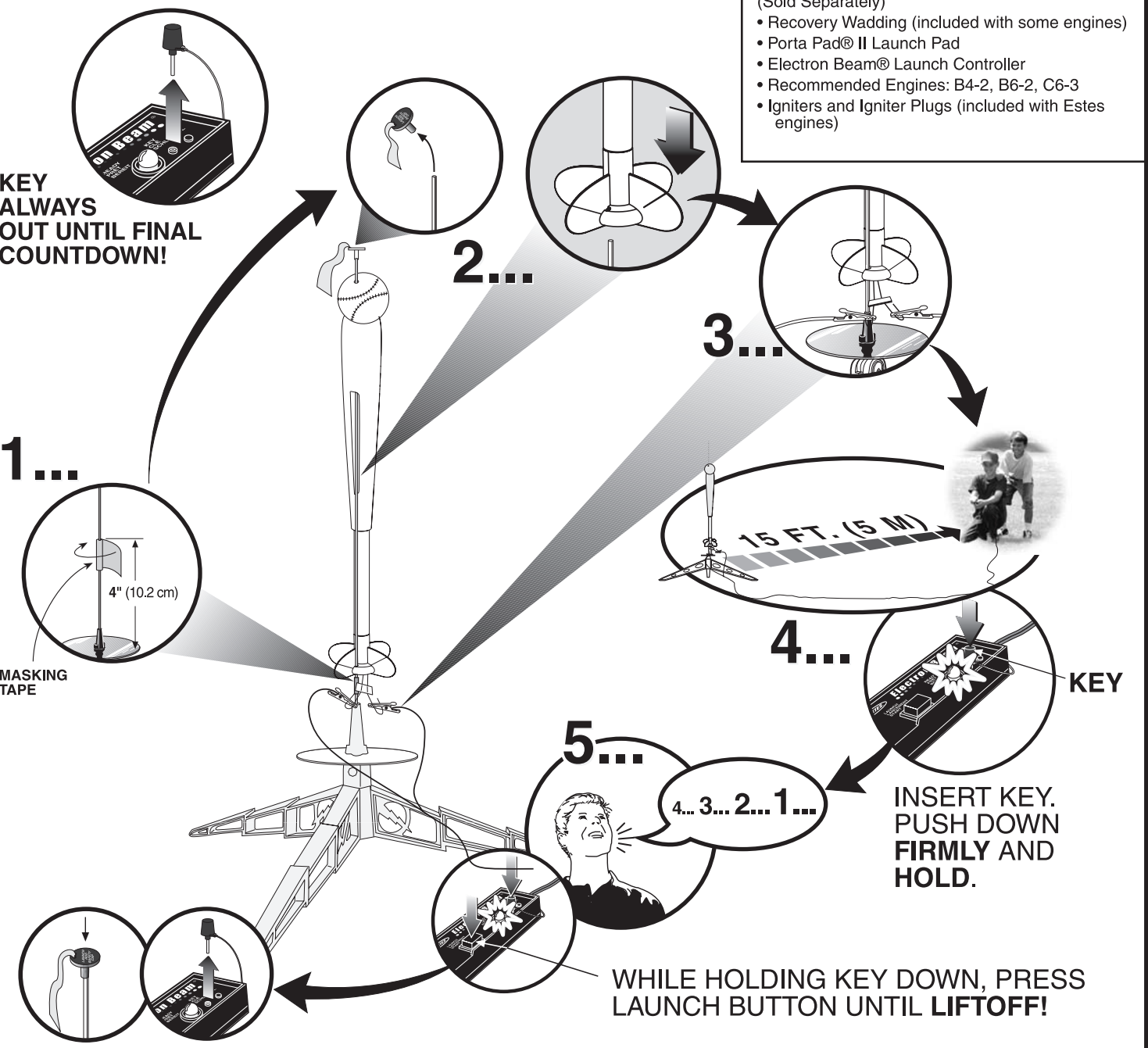
NOTE: Follow countdown and launch instructions on page 6.

ROCKET ON LAUNCH PAD



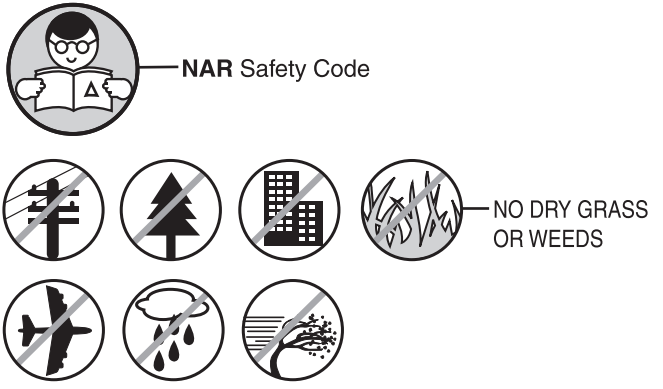
B. Ready to launch.

COUNTDOWN AND LAUNCH



- ESTES LAUNCH SUPPLIES**
(Sold Separately)
- Recovery Wadding (included with some engines)
 - Porta Pad® II Launch Pad
 - Electron Beam® Launch Controller
 - Recommended Engines: B4-2, B6-2, C6-3
 - Igniters and Igniter Plugs (included with Estes engines)

PRECAUTIONS



PRE-LAUNCH CHECK
For safety, never launch a damaged rocket. Check the rocket's body, nose cone and fins. Also, check the engine mount, recovery system and launch lug(s). Repair any damage before launching the rocket.

FLYING YOUR ROCKET
Choose a large field (250 ft. [76 m] square) free of dry weeds and brown grass. The larger the launch area, the better your chance of recovering your rocket. Football fields and playgrounds are great. Launch only with little or no wind and good visibility.

MISFIRES
TAKE THE KEY OUT OF THE CONTROLLER. WAIT ONE MINUTE BEFORE GOING NEAR THE ROCKET! Disconnect the igniter clips and remove the engine. Take the plug and igniter out of the engine. If the igniter has burned, it worked but did not ignite the engine because it was not touching the propellant inside the engine. Put a new igniter all the way inside the engine without bending it. Push the plug in place. Repeat the steps under Countdown and Launch.



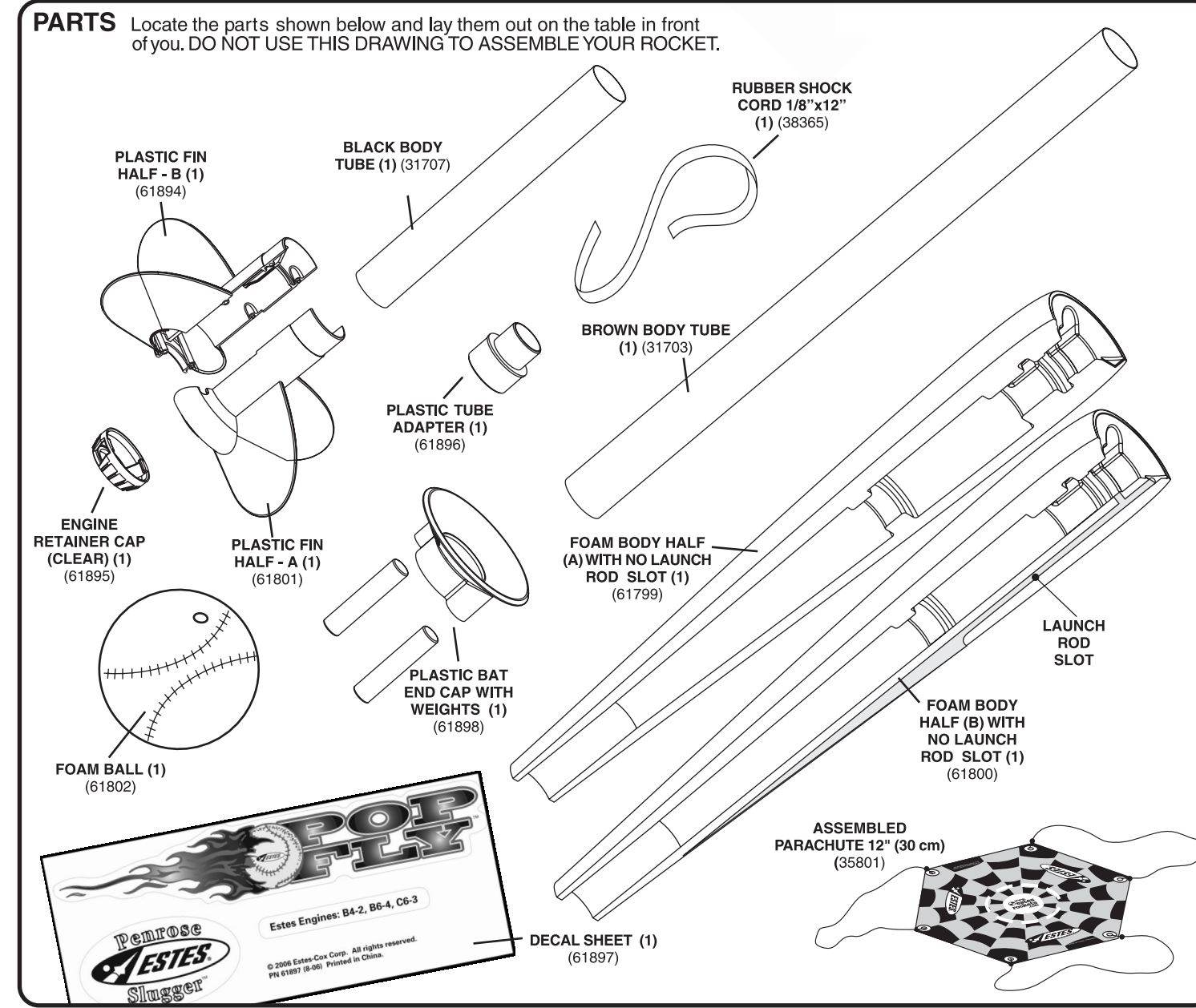
Estes Industries
1295 H Street
Penrose, CO 81240
PRINTED IN CHINA

POP FLY™

FLYING MODEL ROCKET KIT INSTRUCTIONS
KEEP FOR FUTURE REFERENCE

#2027

ASSEMBLY TIP: Read all instructions before beginning work on your model. Make sure you have all parts and supplies.
TEST FIT ALL PARTS TOGETHER BEFORE APPLYING ANY GLUE!
If any parts don't fit properly, sand as required for precision assembly.

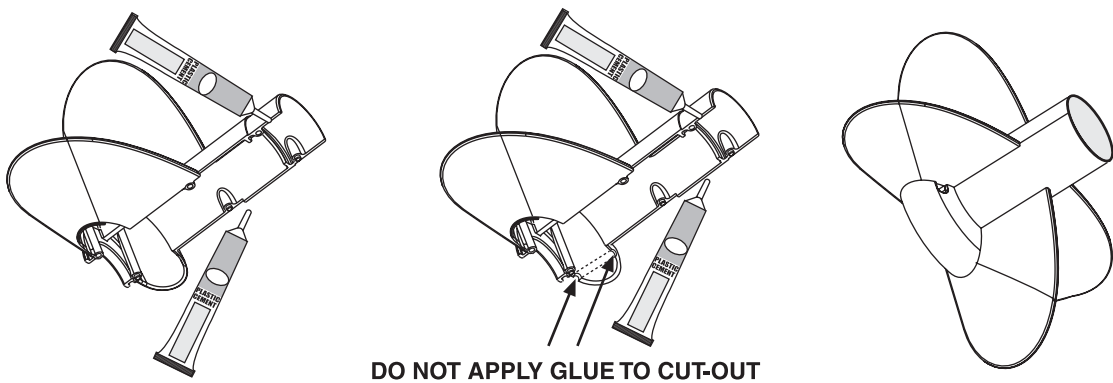


- SUPPLIES** In addition to the parts included in the kit you will also need:
- CARPENTER'S GLUE
 - MODELING KNIFE
 - PLASTIC CEMENT
 - FINE SANDPAPER (#400-600 GRIT)
 - MASKING TAPE
 - RUBBER BANDS
- ALL SUPPLIES SOLD SEPARATELY

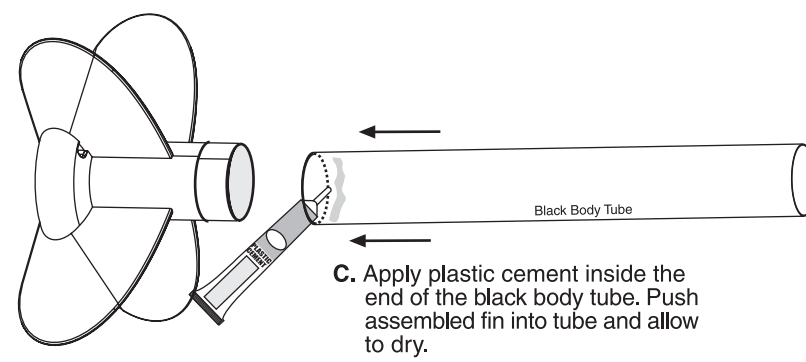
1. ASSEMBLE FIN AND BAT HANDLE

A. Apply plastic cement along one edge of each fin half as shown.

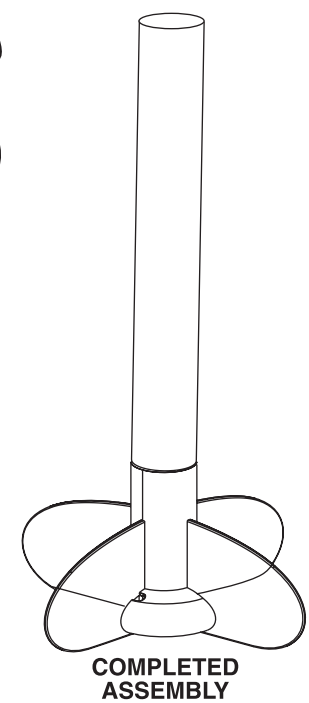
B. Align and press fin halves together. Allow to dry.



DO NOT APPLY GLUE TO CUT-OUT



C. Apply plastic cement inside the end of the black body tube. Push assembled fin into tube and allow to dry.



COMPLETED ASSEMBLY

2. ASSEMBLE BAT BODY TUBE

TRIM

A. Tie a double knot in end of shock cord and trim excess.

B. Feed shock cord through slit in brown body tube until knot rests against tube.

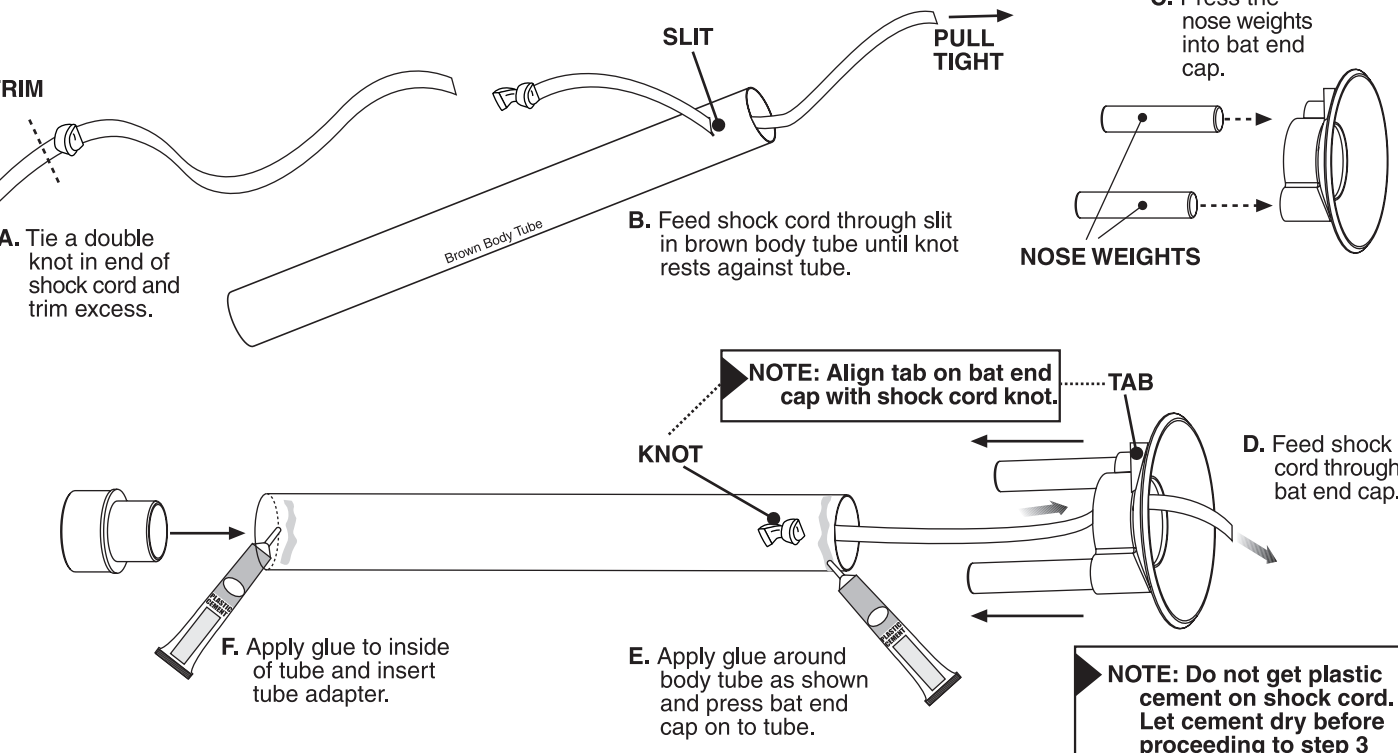
C. Press the nose weights into bat end cap.

NOTE: Align tab on bat end cap with shock cord knot.

D. Feed shock cord through bat end cap.

E. Apply glue around body tube as shown and press bat end cap on to tube.

NOTE: Do not get plastic cement on shock cord. Let cement dry before proceeding to step 3



3. ASSEMBLE FOAM BODY

A. Apply carpenter's glue to the areas shaded grey on Foam Bat Body 'B'.

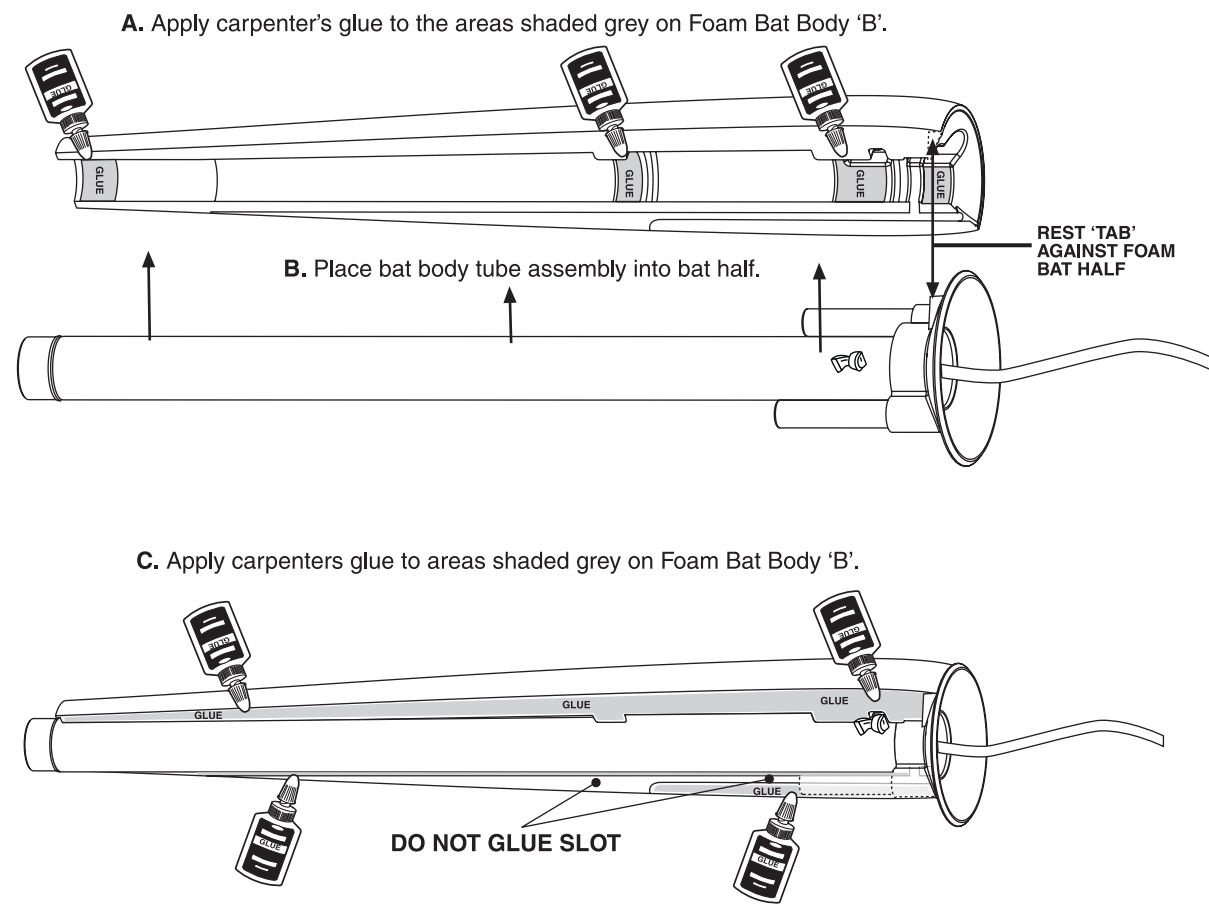
B. Place bat body tube assembly into bat half.

C. Apply carpenter's glue to areas shaded grey on Foam Bat Body 'B'.

D. Apply carpenter's glue to the areas shaded grey on Foam Bat Body 'A'.

E. Align and press the foam body halves together.

HINT: Use rubber bands (not included) to hold halves together until glue dries.



REST 'TAB' AGAINST FOAM BAT HALF

DO NOT GLUE SLOT

4. ASSEMBLE TOP AND BOTTOM

IMPORTANT: Top and bottom pieces must be aligned properly.

A. Apply a ring of plastic cement inside the BT 1000 black body tube.

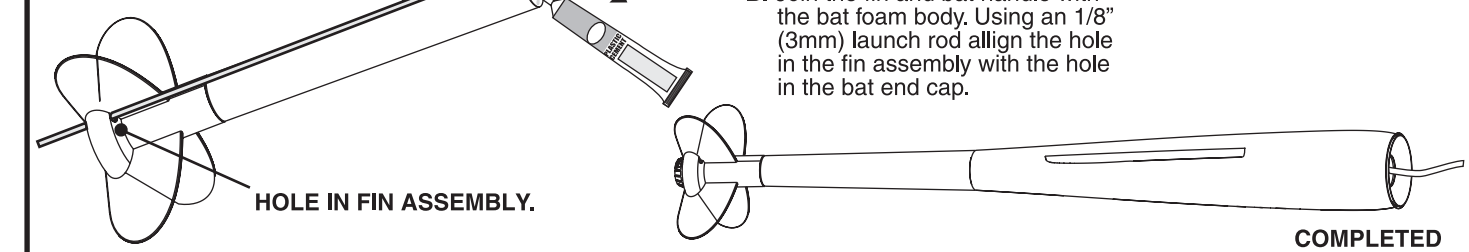
B. Join the fin and bat handle with the bat foam body. Using an 1/8" (3mm) launch rod align the hole in the fin assembly with the hole in the bat end cap.

USE 1/8" LAUNCH ROD TO ALIGN PIECES CORRECTLY.

HOLE IN FIN ASSEMBLY.

HOLE IN BAT END CAP

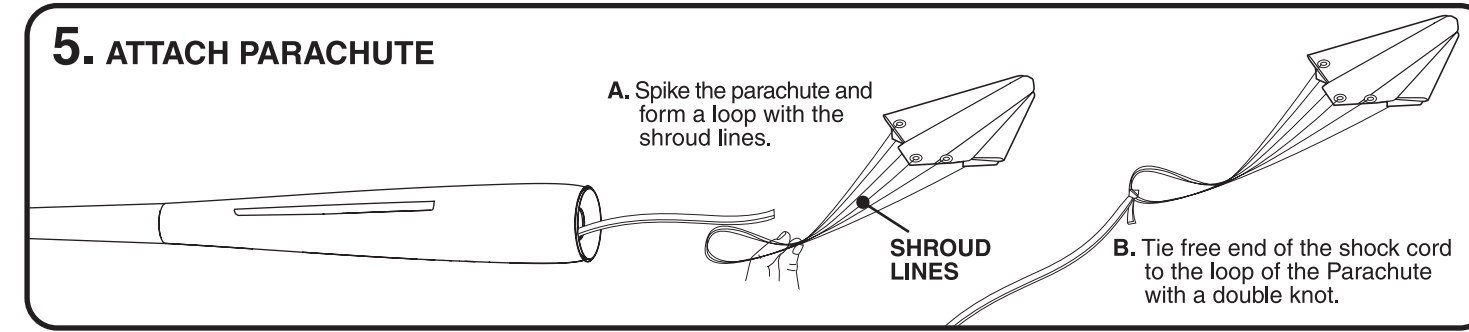
COMPLETED ASSEMBLY



5. ATTACH PARACHUTE

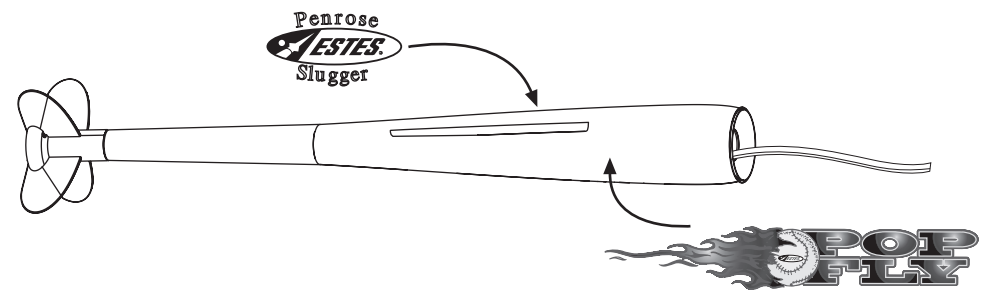
A. Spike the parachute and form a loop with the shroud lines.

B. Tie free end of the shock cord to the loop of the Parachute with a double knot.



6. APPLY DECALS

A. Carefully remove one decal at a time and apply as shown. Rub decal down to remove air bubbles.



7. PREPARE ROCKET FOR FLIGHT

IMPORTANT: Wadding must be in place and slide freely for rocket to work properly.

NOTE: Only Estes wadding (#302274) recommended!

A. Insert 2-3 squares of loosely crumpled recovery wadding into rocket body.

C. Fold.

E. Wrap lines loosely. Insert shock cord and parachute into body tube.

PULL SHOCK CORD TAUT WHEN INSERTING WADDING

B. Spike parachute.

D. Roll.

IMPORTANT: Parachute should slide easily into body. If fit is too tight, unfold and repack again.

