

ROCKET FINISHING

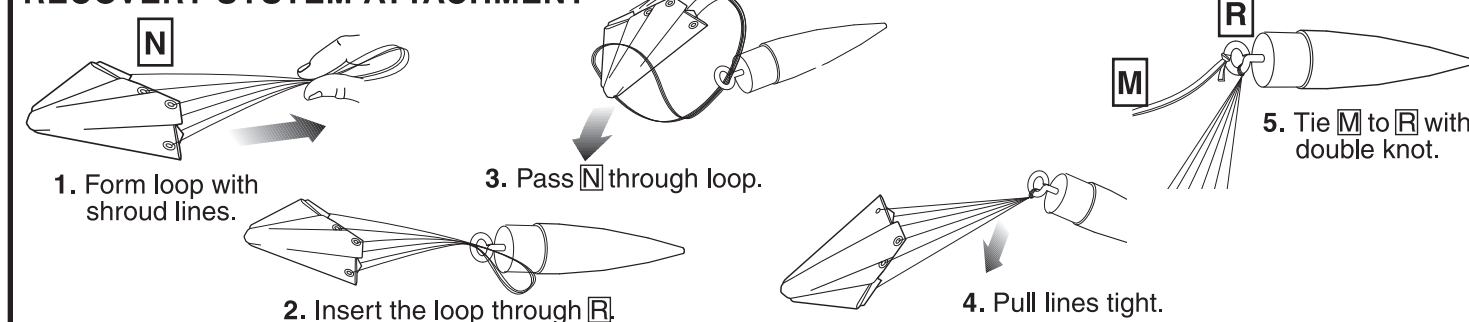
NOTE: We have found Testors ONE COAT LACQUER, PN 1835M LIME ICE to be an excellent color match for the green. Testors Colors by BOYD PN 52904 GRAPE PEARL a perfect match for the purple used on the original SUPER NEON XL™.

Steps for a Quality Finish:

1. Insert shock cord into body tube and hold in place with paper.
2. Lightly sand body tube, fins and nose cone with fine sandpaper (#320 or #400 grit).
3. Apply glue fillets to fins and launch lug.
 - a. Let dry overnight.
4. Use a stick inserted into the motor tube end of the rocket for painting.
5. Hold the nose cone by the screw eye with a clip or pliers for painting.
6. We recommend a good filler/primer to be applied to the balsa fins and nose cone before painting.
7. Apply 1-2 light coats of white primer to rocket body and nose cone, lightly sanding with fine sandpaper (#320 or #400 grit) between coats.
 - a. Let paint dry between coats.
8. Apply lime green to nose cone and entire rocket. Let paint dry overnight (24 hours is best).
9. Apply masking tape and protective cover covering the lime green just above the sonic tubes.
10. Apply masking tape and protective cover to the fins where they meet the sonic tubes.
11. Spray bottom grape pearl.
 - a. Let paint dry overnight (24 hours is best). Remove masking tape.
12. Apply waterslide decals where shown.
 - a. Cut the decal to be applied from the decal sheet, trimming close to the decal edge.
 - b. Hold the decal in warm water until decal begins to curl.
 - c. Remove the entire decal, position in place and slide the decal backing material from under the decal and onto the model as close to final position as possible.
 - d. Gently blot out excess water with a clean paper towel.
 - e. Allow decals to set overnight before applying protective clear coat.
13. When decal is dry, spray entire rocket (body and nose cone) with a light coat of Testors Gloss Lacquer (#1961). This will provide added protection and shine to your SUPER NEON XL™ rocket!

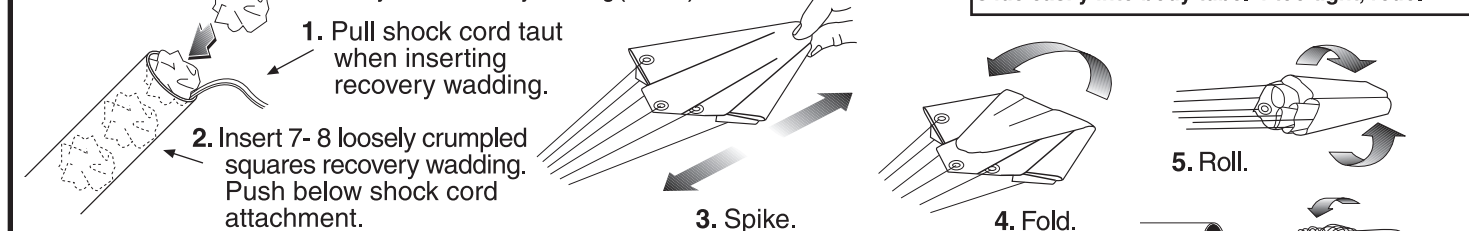


RECOVERY SYSTEM ATTACHMENT



PREPARE FLIGHT RECOVERY

NOTE: Only Estes Recovery Wadding (302274) recommended.

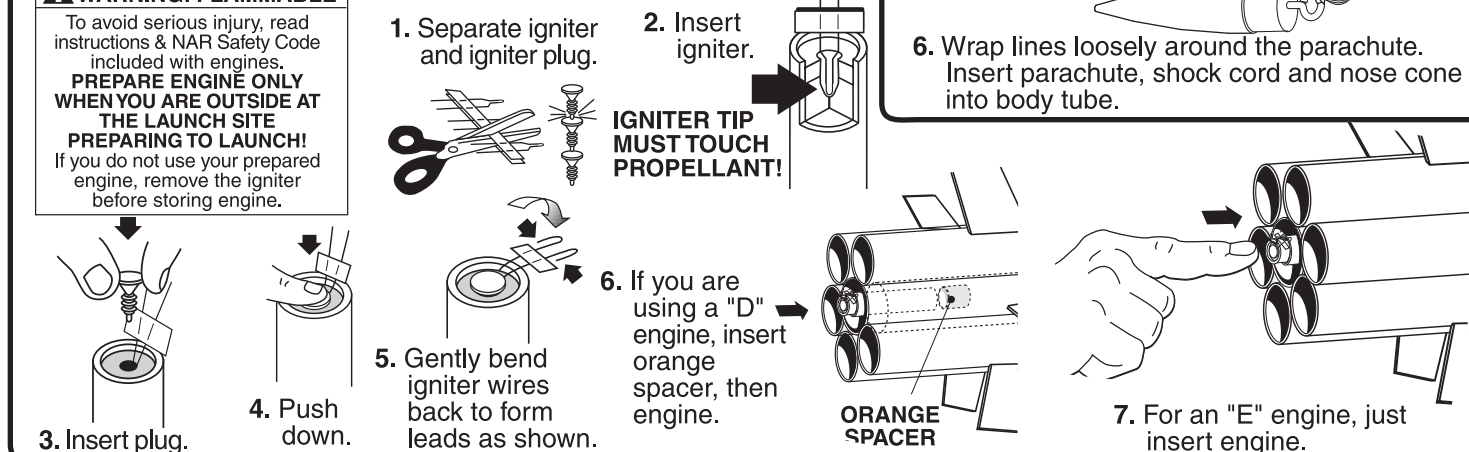


NOTE: Recovery wadding and parachute must slide easily into body tube. If too tight, redo.

PREPARE D OR E ENGINE USE

WARNING: FLAMMABLE

To avoid serious injury, read instructions & NAR Safety Code included with engines. **PREPARE ENGINE ONLY WHEN YOU ARE OUTSIDE AT THE LAUNCH SITE PREPARING TO LAUNCH!** If you do not use your prepared engine, remove the igniter before storing engine.

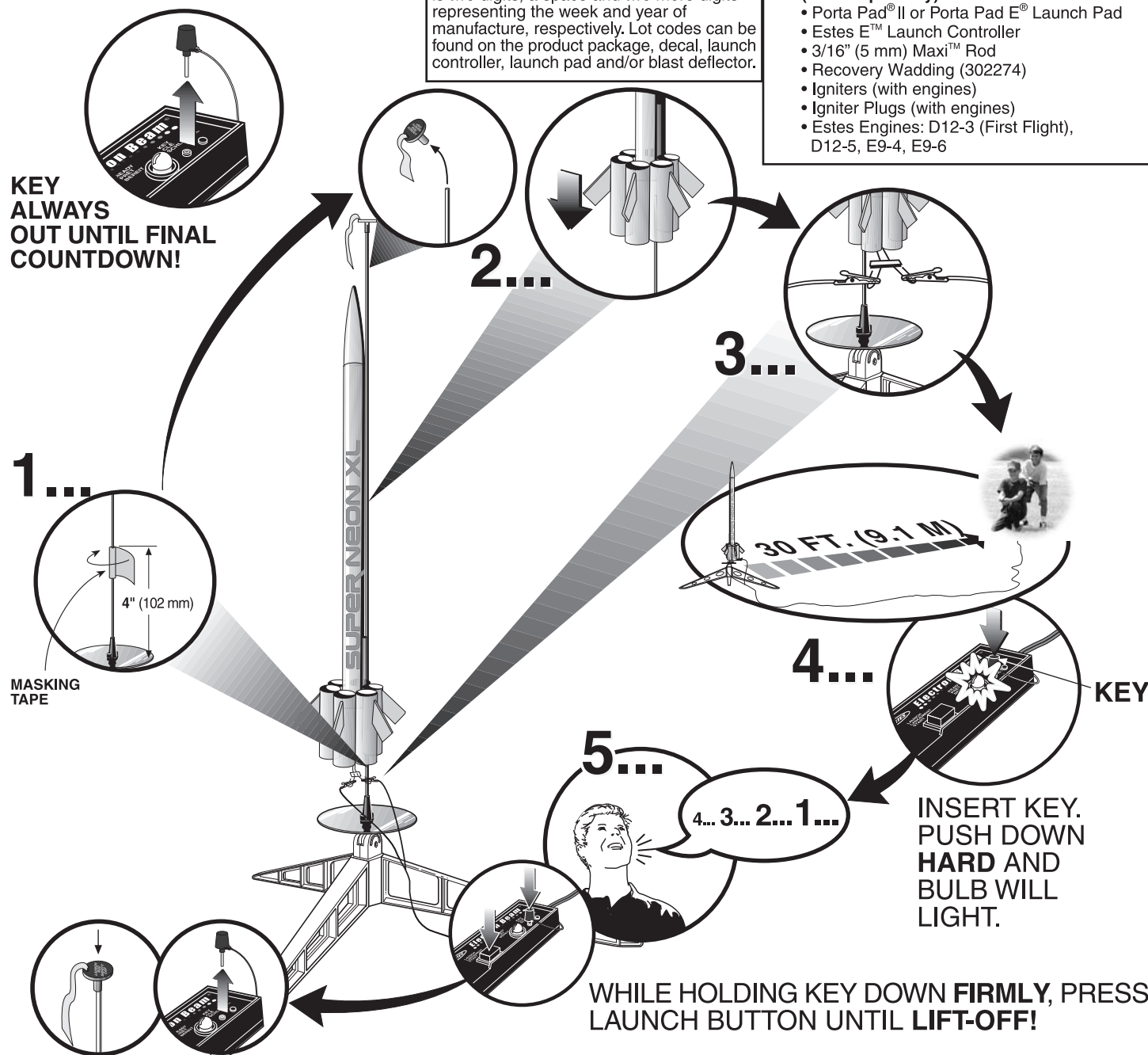


COUNTDOWN AND LAUNCH

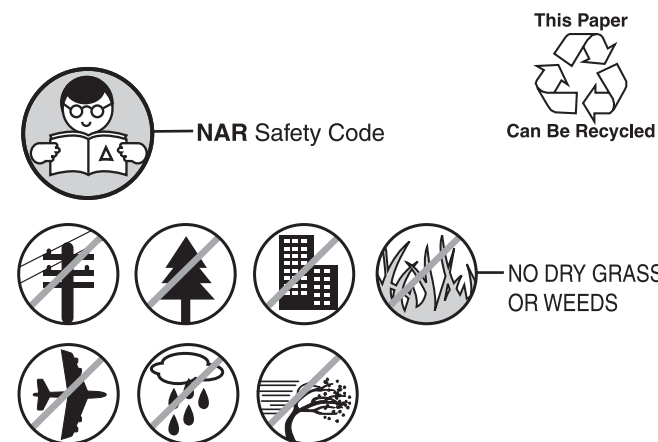
IMPORTANT: Your Estes product is marked with a four digit lot code or codes. The code is two digits, a space and two more digits representing the week and year of manufacture, respectively. Lot codes can be found on the product package, decal, launch controller, launch pad and/or blast deflector.

ESTES LAUNCH SUPPLIES NEEDED (Sold Separately)

- Porta Pad® II or Porta Pad E® Launch Pad
- Estes E™ Launch Controller
- Recovery Wadding (302274)
- Igniters (with engines)
- Igniter Plugs (with engines)
- Estes Engines: D12-3 (First Flight), D12-5, E9-4, E9-6



PRECAUTIONS



PRE-LAUNCH CHECK

For safety, never launch a damaged rocket. Check the rocket's body, nose cone and fins. Also, check the engine mount, recovery system and launch lug. Repair any damage before launching the rocket.

FLYING YOUR ROCKET

Choose a large field (500 ft. [153 m] square) free of dry weeds and brown grass. The larger the launch area, the better your chance of recovering your rocket. Football fields and playgrounds are great. Launch only with little or no wind and good visibility. Always follow the National Association of Rocketry (NAR) SAFETY CODE.

MISFIRES

TAKE THE KEY OUT OF THE CONTROLLER. WAIT ONE MINUTE BEFORE GOING NEAR THE ROCKET! Disconnect the igniter clips and remove the engine. Take the plug and igniter out of the engine. If the igniter has burned, it worked but did not ignite the engine because it was not touching the propellant inside the engine. Put a new igniter all the way inside the engine without bending it. Push the plug in place. Repeat the steps under Countdown and Launch.

ESTES SUPER NEON XL™

Estes-Cox Corp.
1295 H Street, PO Box 227
Penrose, CO 81240-0227
Printed in Guangdong, China

FLYING MODEL ROCKET KIT INSTRUCTIONS

KEEP FOR FUTURE REFERENCE.



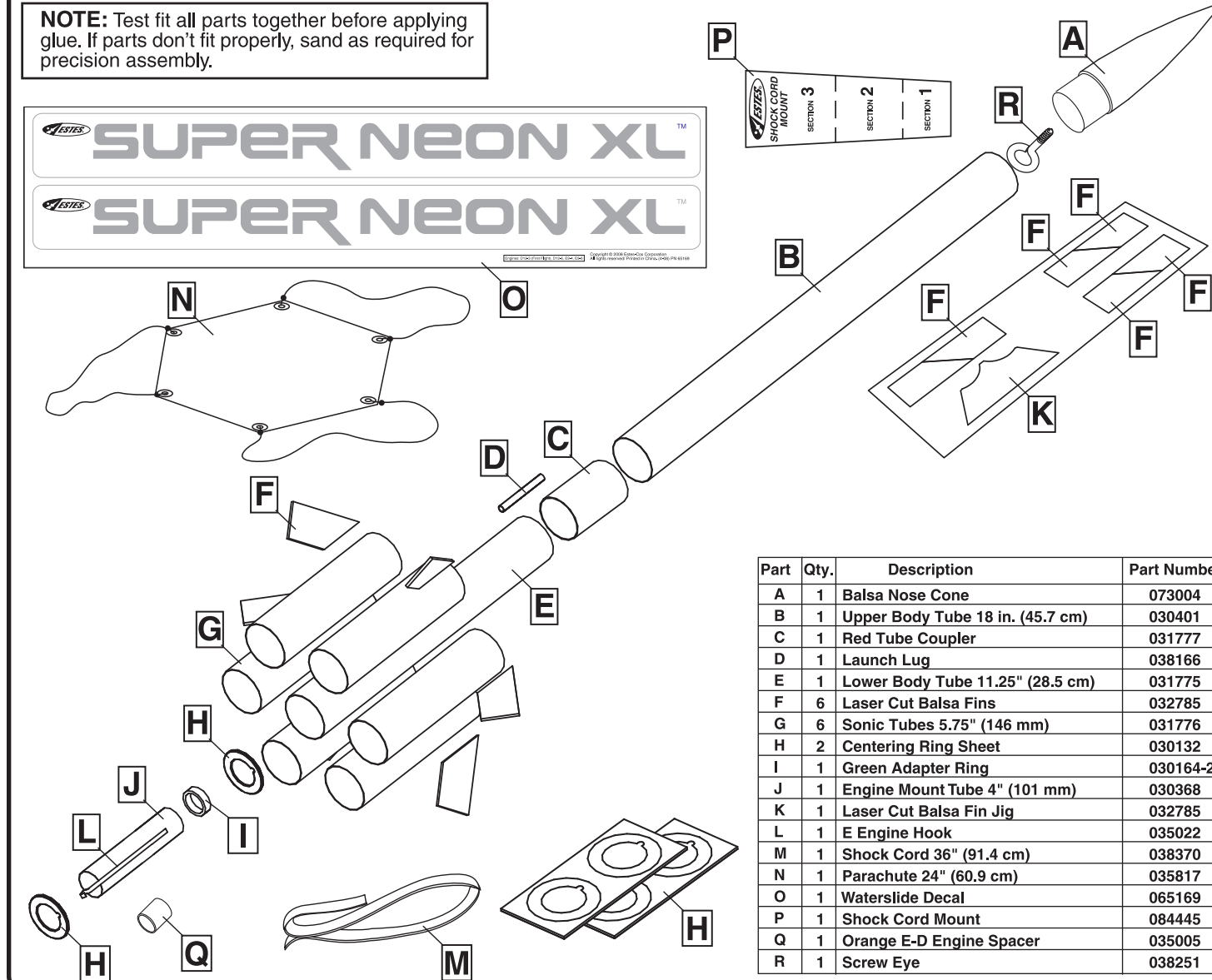
#2425

www.
estes
rockets
.com

ASSEMBLY TIP

Read all instructions before beginning work on your model. Make sure you have all parts and supplies.

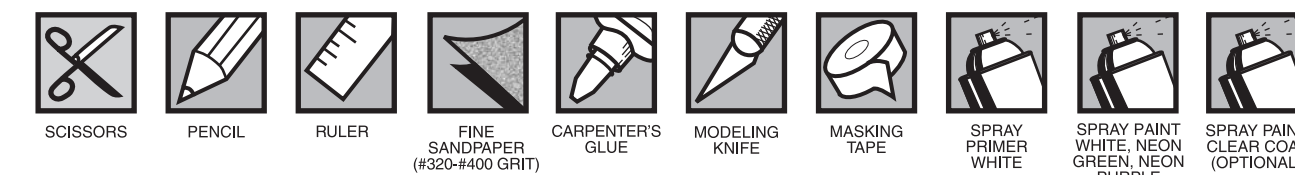
NOTE: Test fit all parts together before applying glue. If parts don't fit properly, sand as required for precision assembly.



| Part | Qty. | Description | Part Number |
|------|------|----------------------------------|-------------|
| A | 1 | Balsa Nose Cone | 073004 |
| B | 1 | Upper Body Tube 18 in. (45.7 cm) | 030401 |
| C | 1 | Red Tube Coupler | 031777 |
| D | 1 | Launch Lug | 038166 |
| E | 1 | Lower Body Tube 11.25" (28.5 cm) | 031775 |
| F | 6 | Laser Cut Balsa Fins | 032785 |
| G | 6 | Sonic Tubes 5.75" (146 mm) | 031776 |
| H | 2 | Centering Ring Sheet | 030132 |
| I | 1 | Green Adapter Ring | 030164-2 |
| J | 1 | Engine Mount Tube 4" (101 mm) | 030368 |
| K | 1 | Laser Cut Balsa Fin Jig | 032785 |
| L | 1 | E Engine Hook | 035022 |
| M | 1 | Shock Cord 36" (91.4 cm) | 038370 |
| N | 1 | Parachute 24" (60.9 cm) | 035817 |
| O | 1 | Waterslide Decal | 065169 |
| P | 1 | Shock Cord Mount | 084445 |
| Q | 1 | Orange E-D Engine Spacer | 035005 |
| R | 1 | Screw Eye | 038251 |

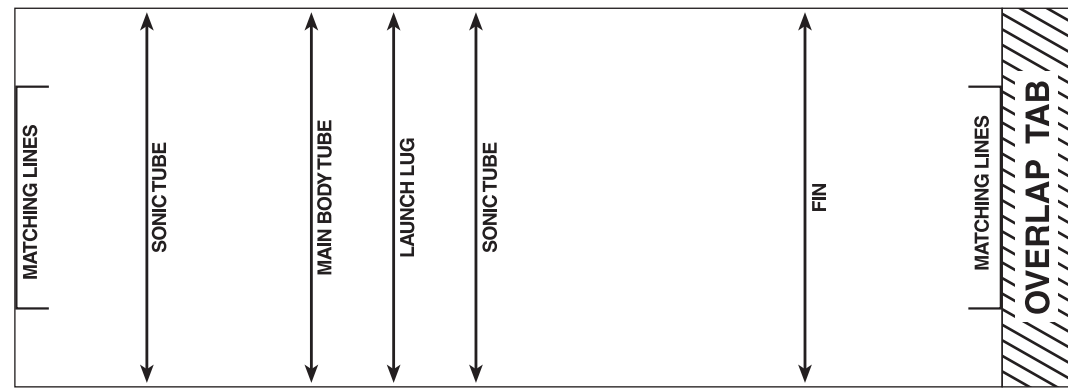
SUPPLIES

In addition to the parts included in the kit you will also need:

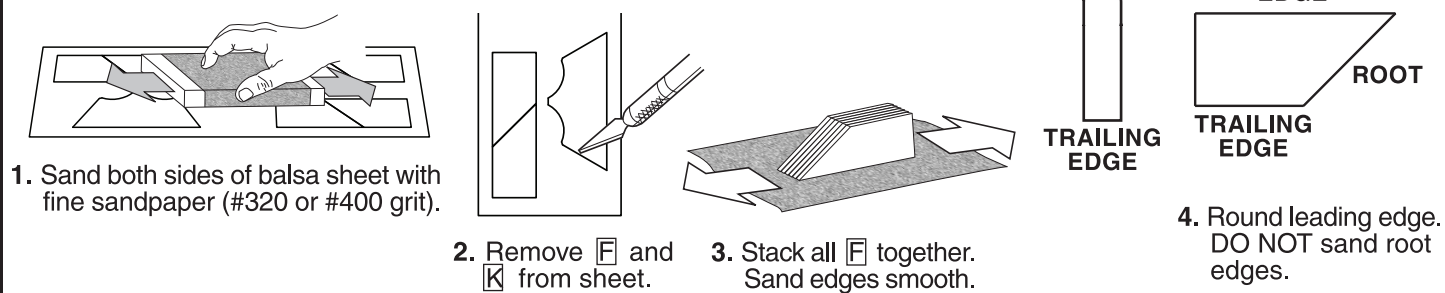


TUBE MARKING GUIDE

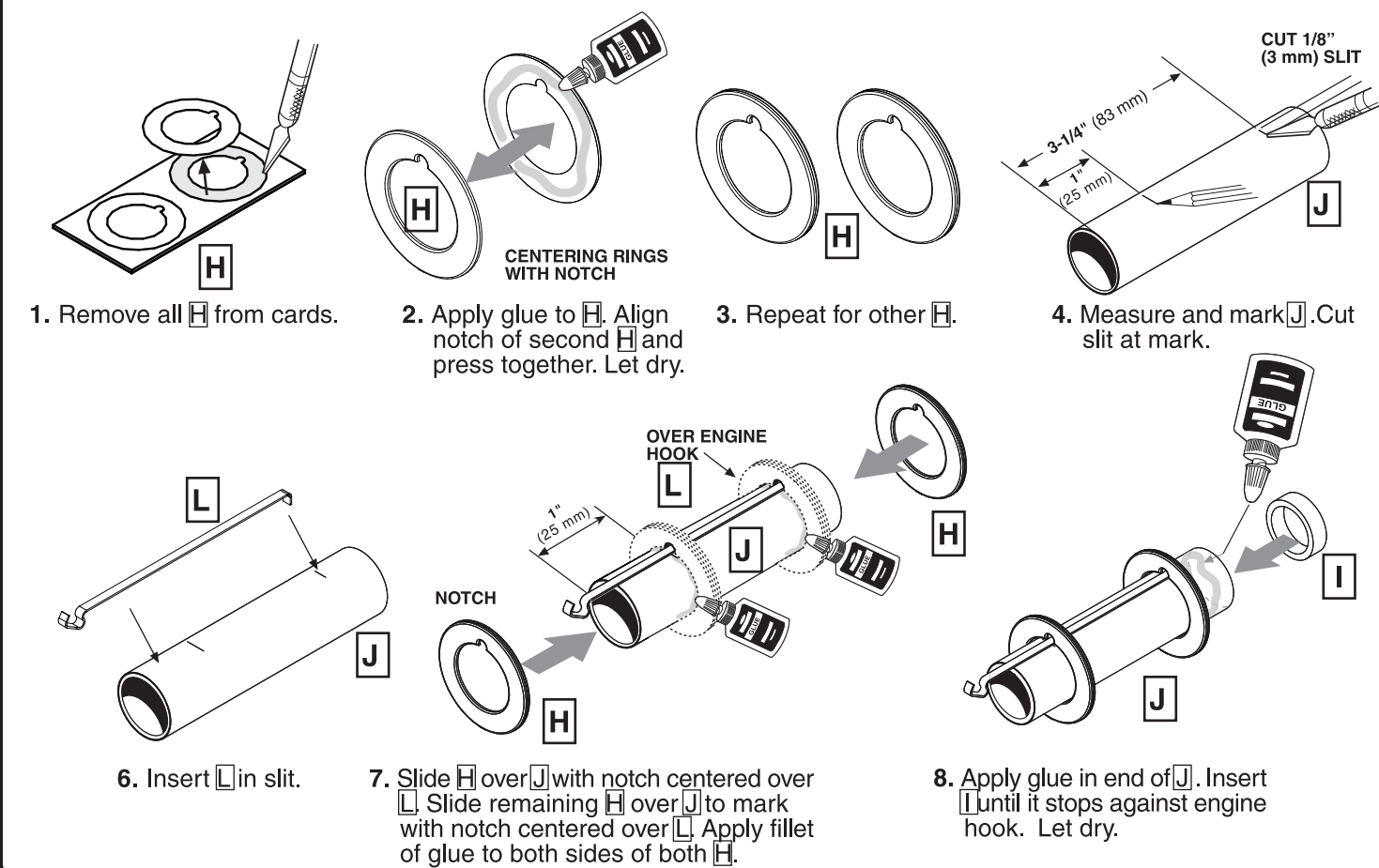
(Make a copy if you want to keep instructions.)



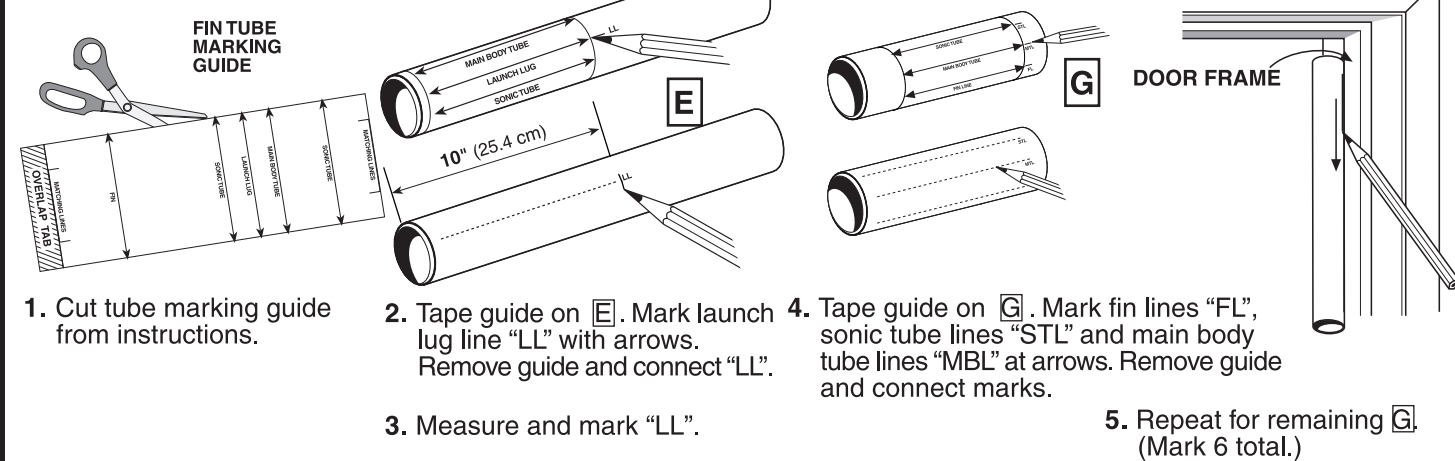
FIN PREPARATION



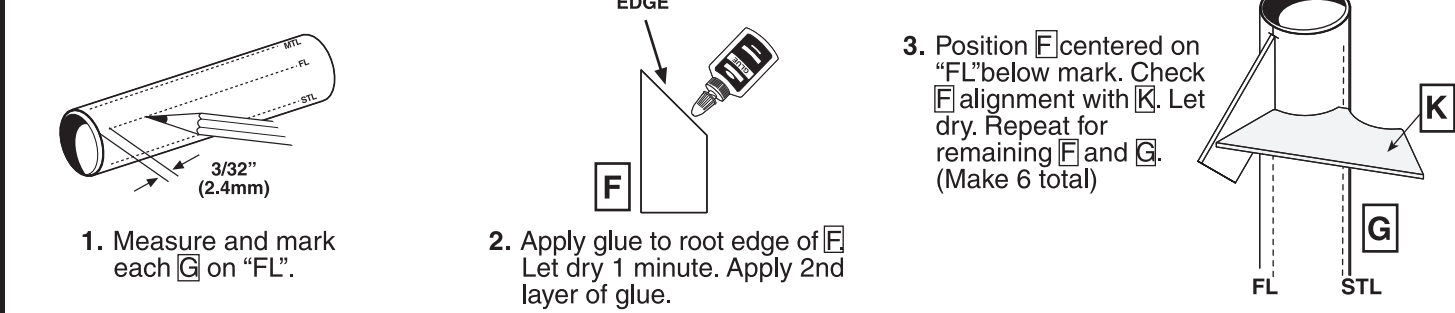
ENGINE MOUNT ASSEMBLY



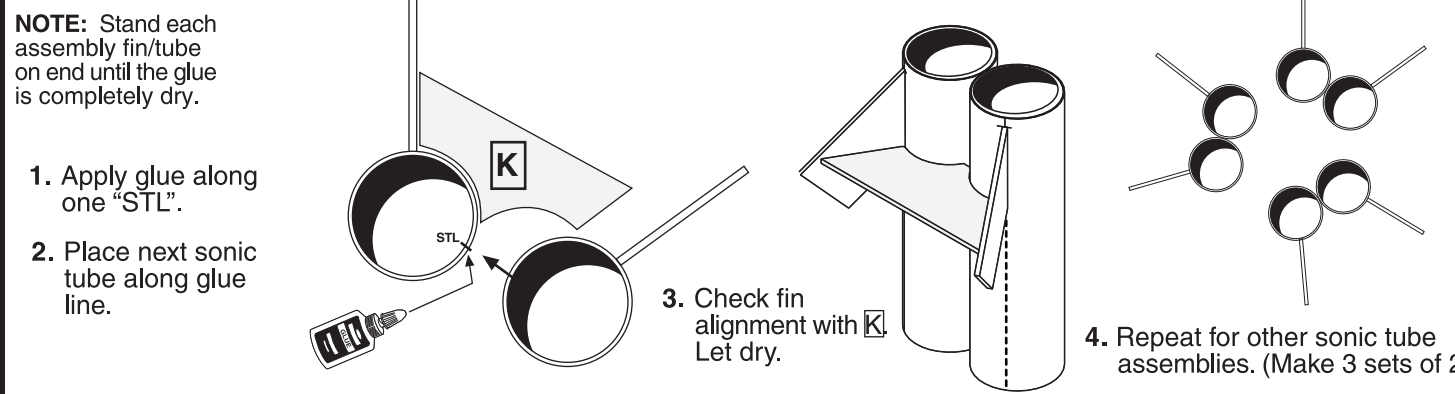
TUBE MARKING



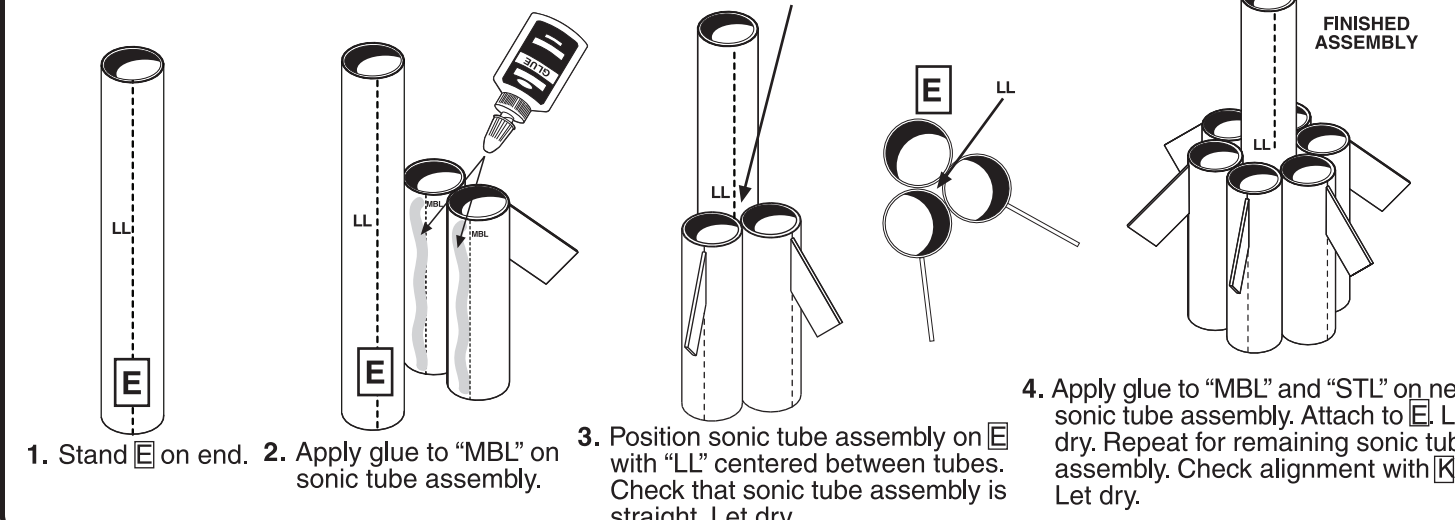
FIN ATTACHMENT



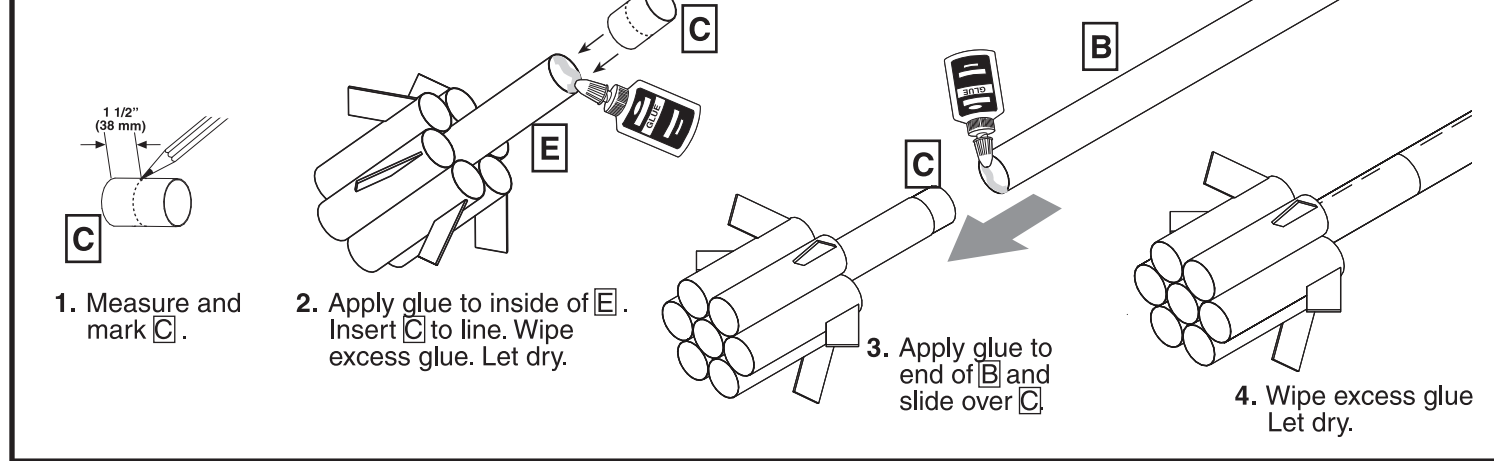
SONIC TUBE ASSEMBLIES



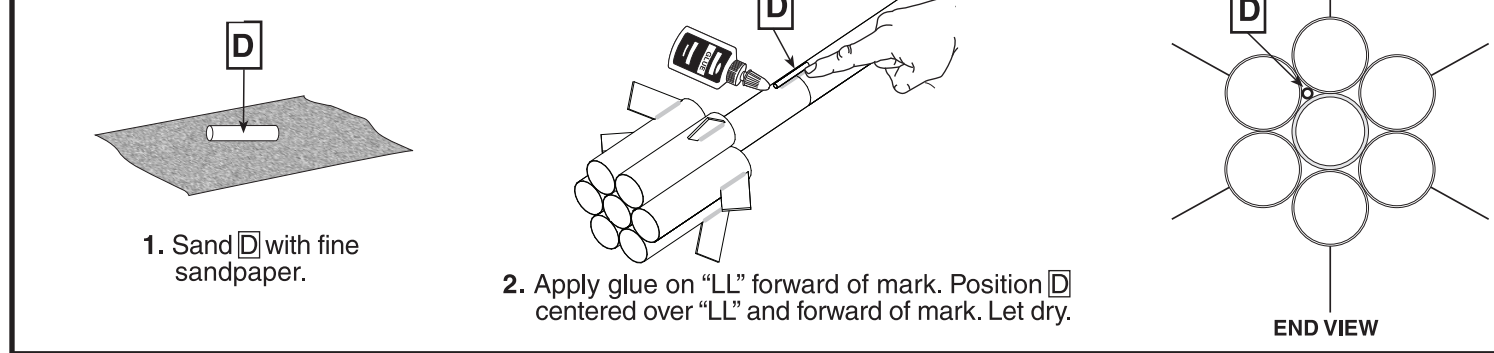
SONIC TUBE ATTACHMENT



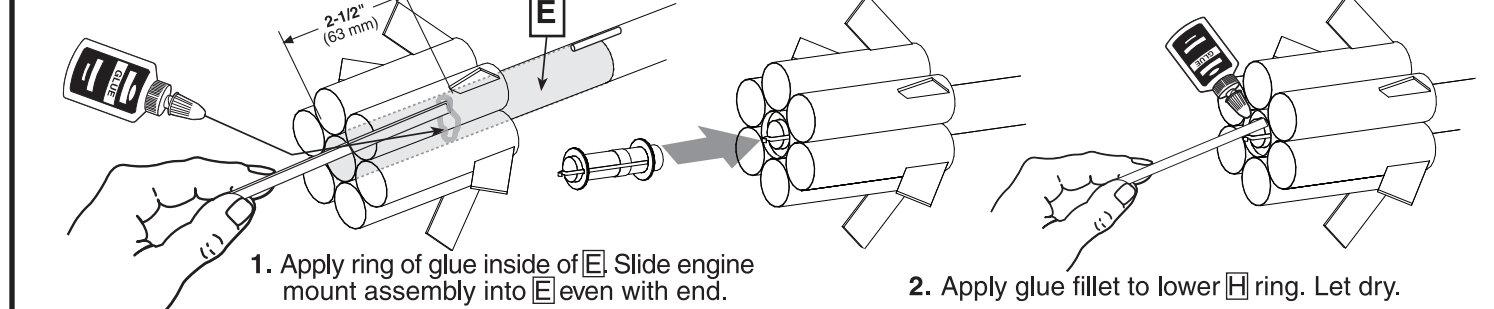
BODY TUBE COUPLER



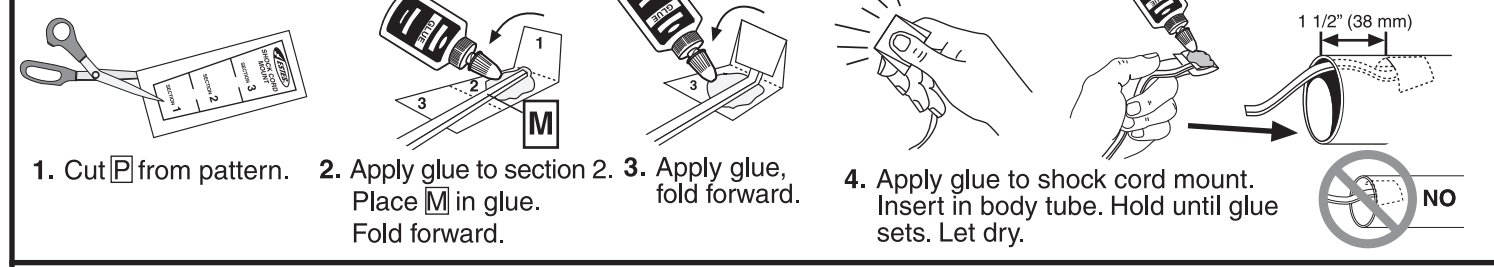
LAUNCH LUG ATTACHMENT



ENGINE MOUNT INSTALLATION



SHOCK CORD INSTALLATION



NOSE CONE ASSEMBLY

