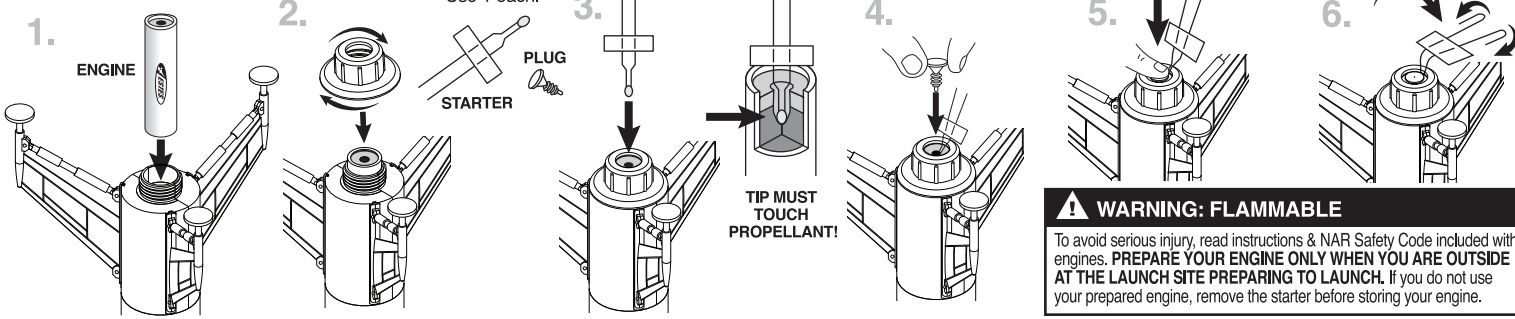
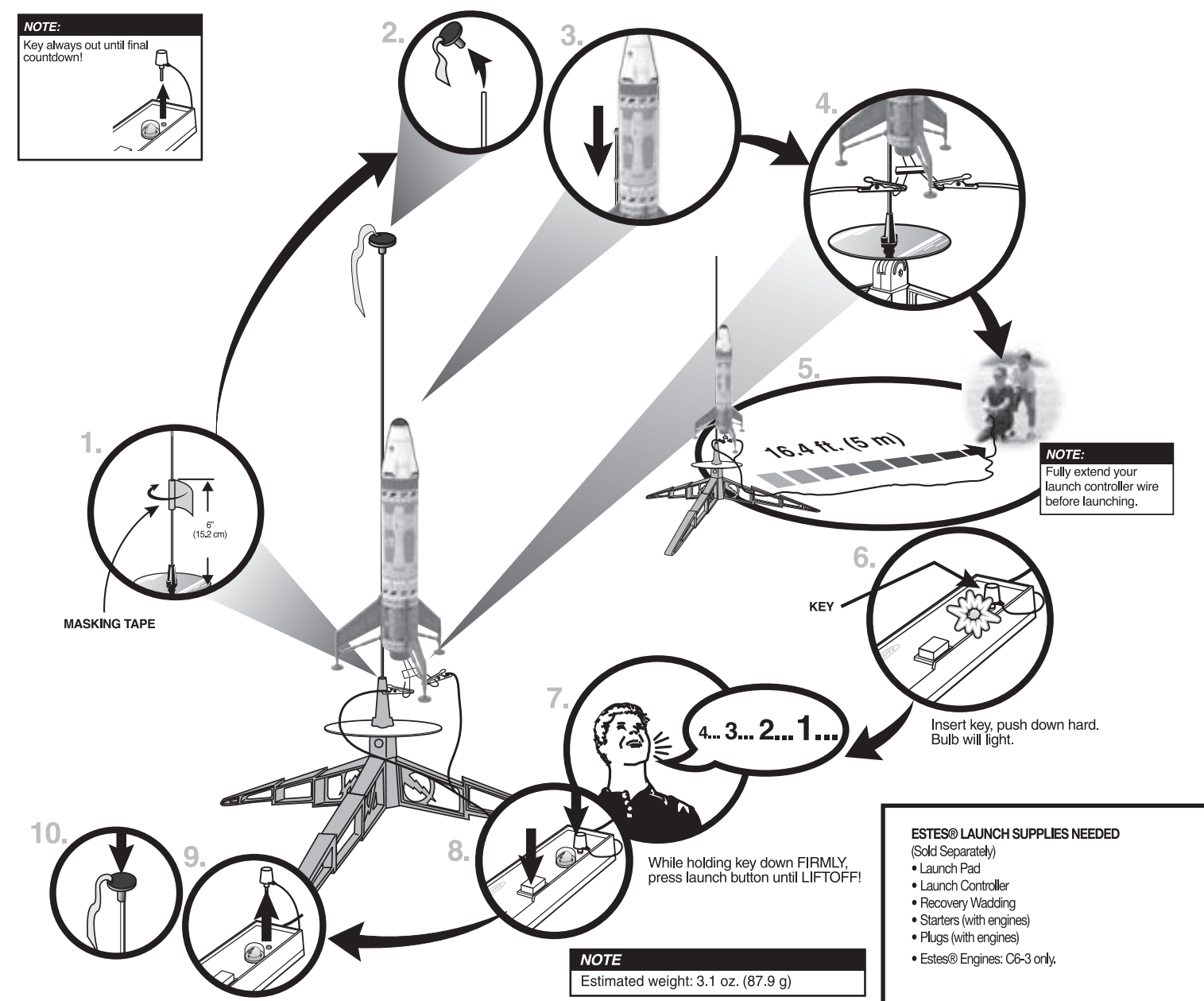


PREPARE ENGINE



LAUNCH PROCEDURE



PRECAUTIONS



PRE-LAUNCH CHECK For safety, never launch a damaged rocket. Check the rocket's body, nose cone and fins. Also, check the engine mount, recovery system and launch lug(s). Repair any damage before launching the rocket.

FLYING YOUR ROCKET Choose a large field (500 ft. [152 m] square) free of dry weeds and brown grass. The larger the launch area, the better your chance of recovering your rocket. Football fields and playgrounds are great. Launch only with little or no wind and good visibility. Always follow the National Association of Rocketry (NAR) SAFETY CODE (enclosed).

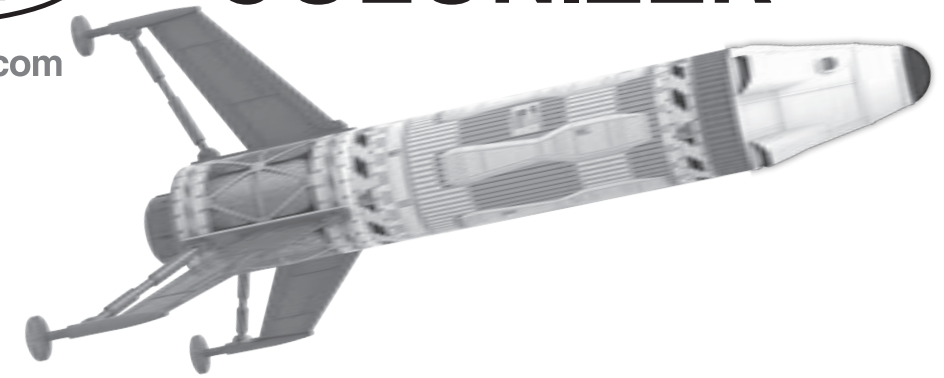
MISFIRES TAKE THE KEY OUT OF THE CONTROLLER. WAIT ONE MINUTE BEFORE GOING NEAR THE ROCKET. Disconnect the micro-clips and remove the engine. Take the plug and starter out of the engine. A burned starter means the starter tip was not touching engine propellant. Install a new starter; be sure the tip is touching propellant inside the engine. Push the plug in place. Repeat steps under Countdown and Launch.



EstesRockets.com

COLONIZER™

5322

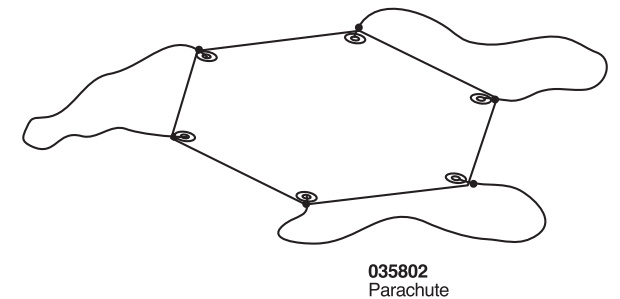
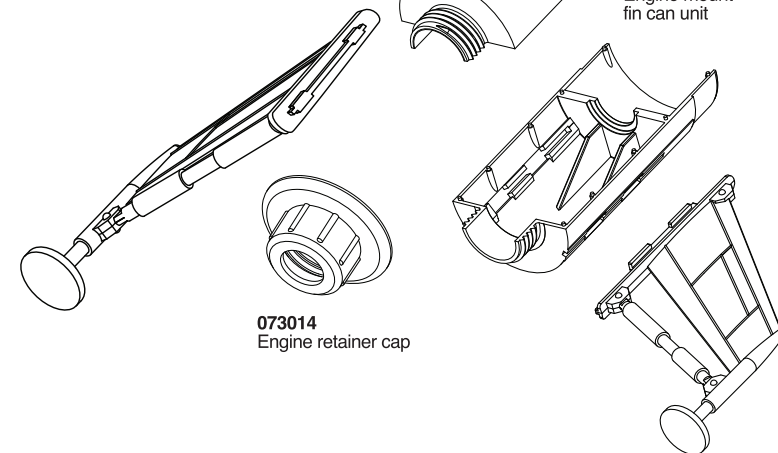
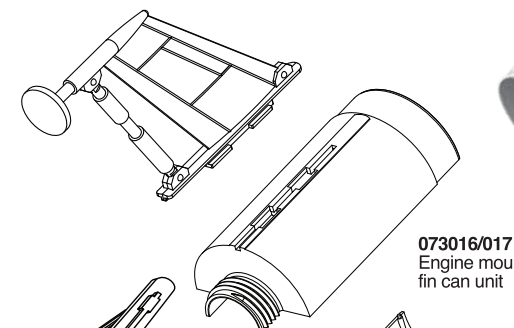
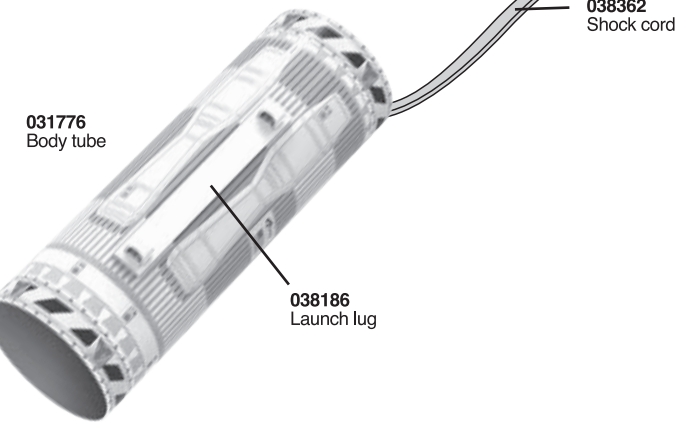
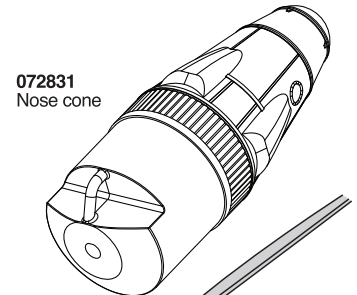
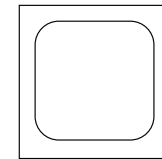
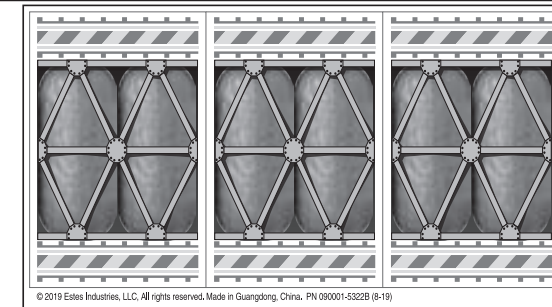


MODEL ROCKET INSTRUCTIONS

KEEP FOR FUTURE REFERENCE

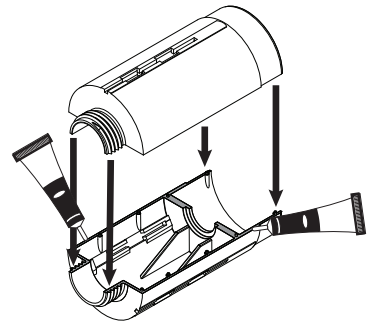
IMPORTANT: Please record date found on decal and keep for future reference. _____

Read all instructions. Make sure you have all parts and supplies. Test fit all parts before applying glue. Product color and shape may vary.

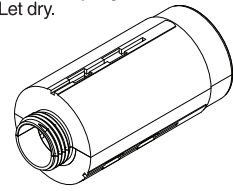


ASSEMBLE ENGINE MOUNT FIN CAN UNIT

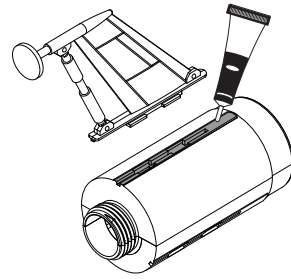
1. Apply plastic cement.



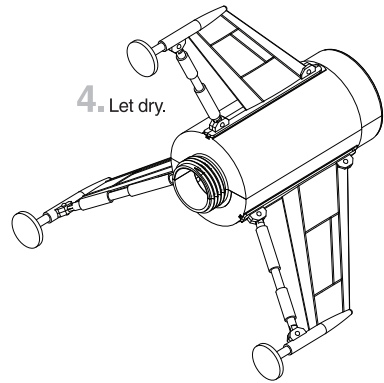
2. Press firmly together. Let dry.



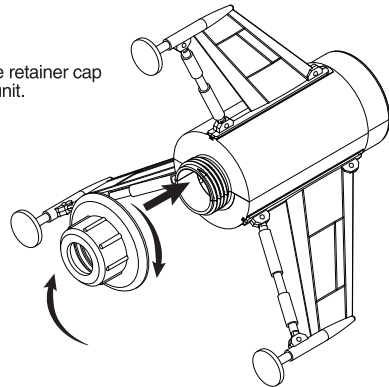
3. Apply plastic cement and insert fins. **X3**



4. Let dry.

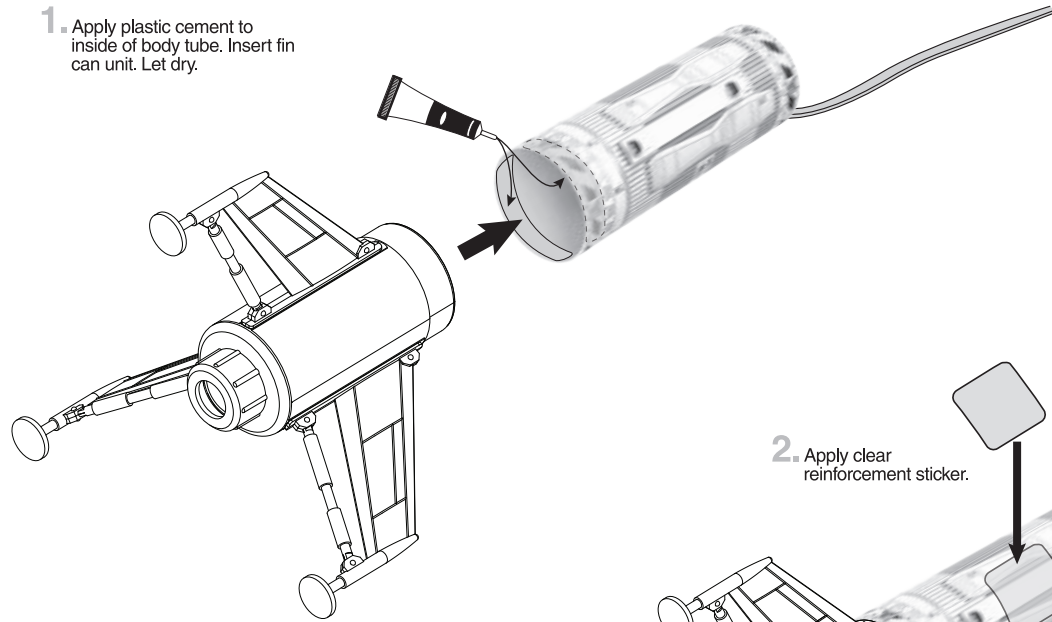


5. Screw engine retainer cap onto fin can unit.

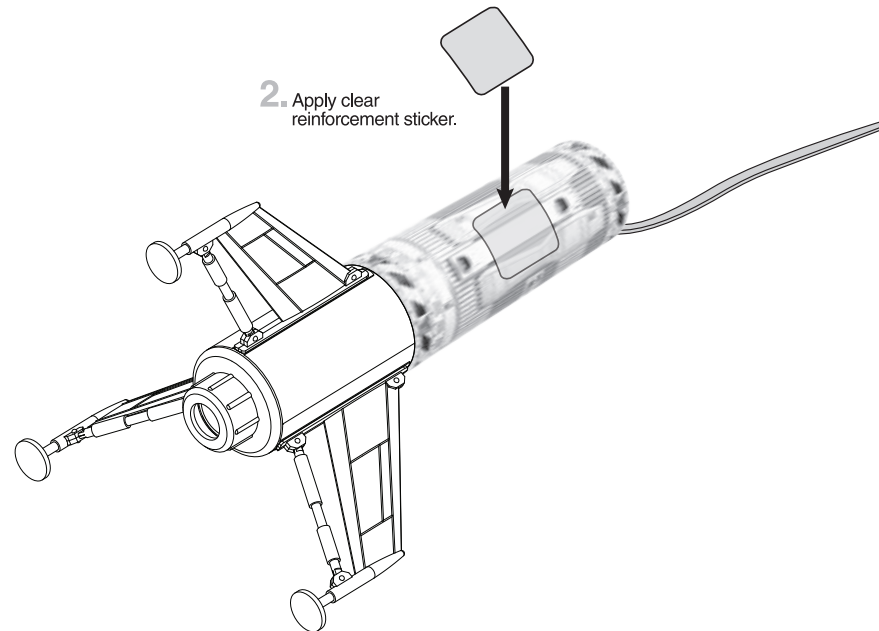


ATTACH BODY TUBE

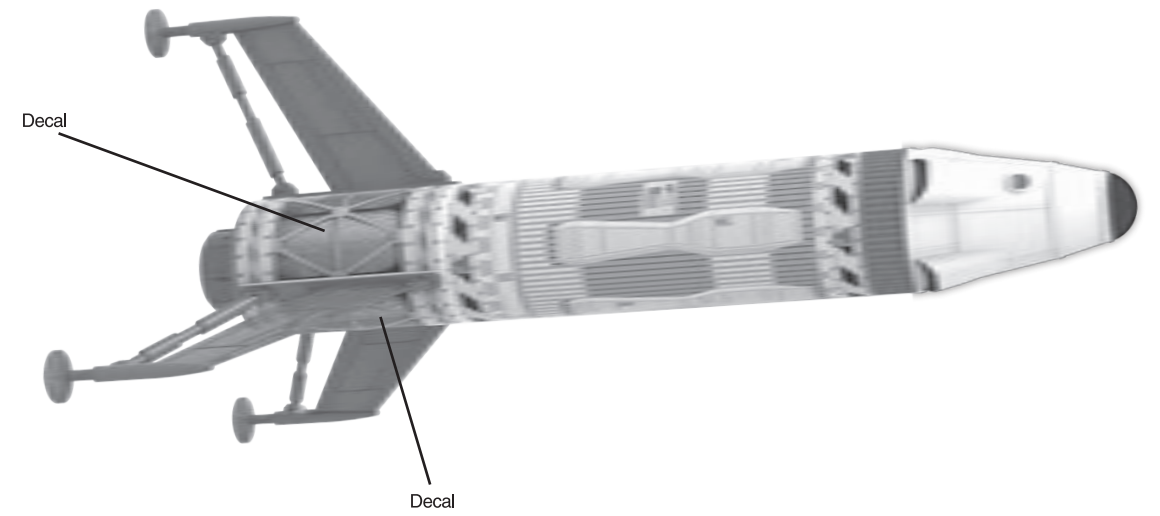
1. Apply plastic cement to inside of body tube. Insert fin can unit. Let dry.



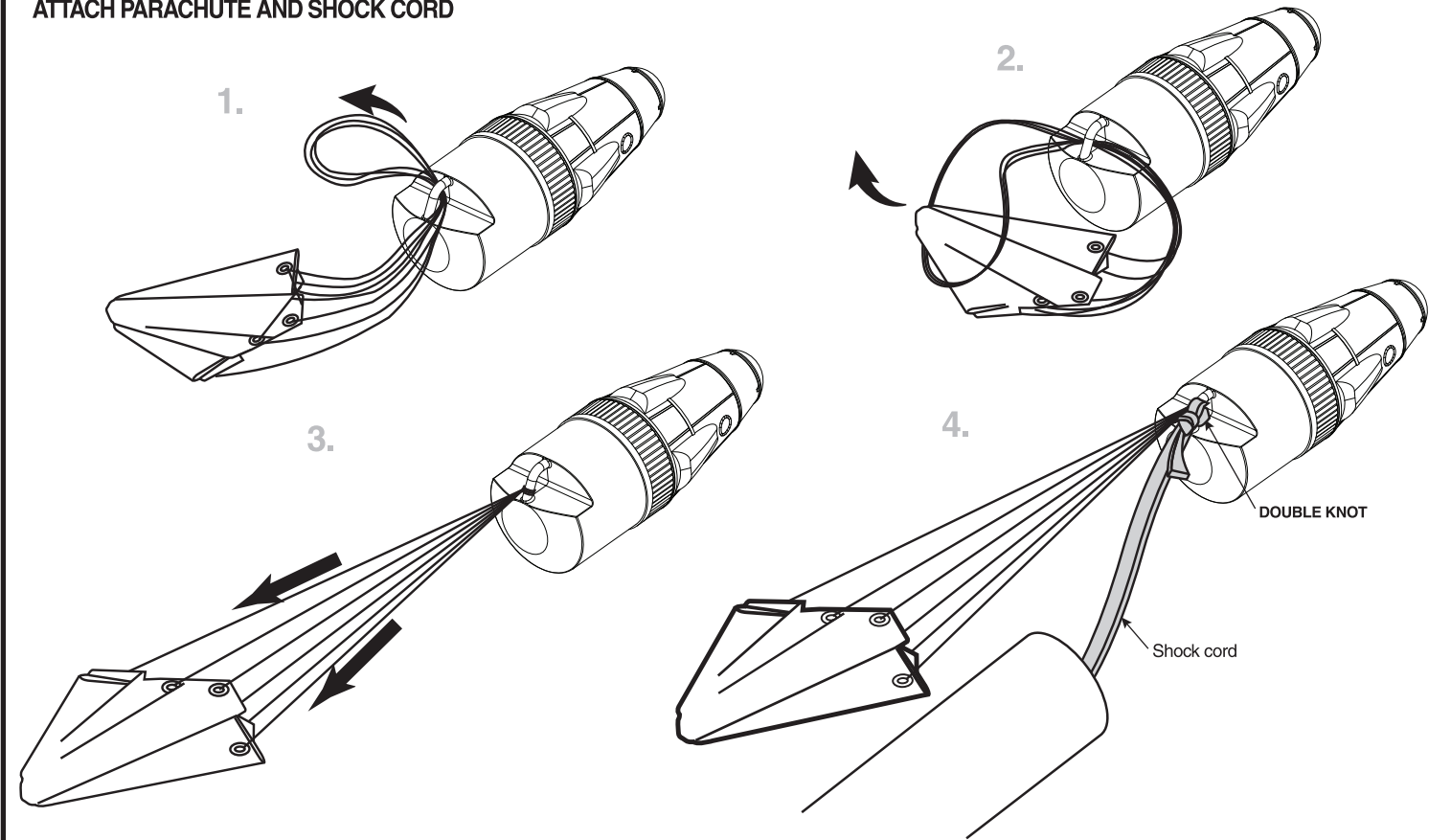
2. Apply clear reinforcement sticker.



APPLY DECALS

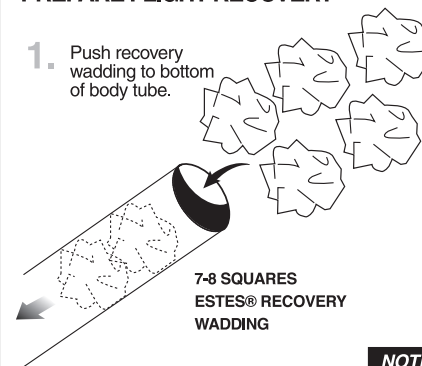


ATTACH PARACHUTE AND SHOCK CORD



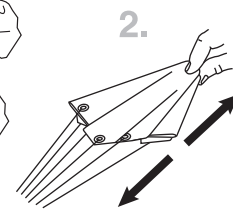
PREPARE FLIGHT RECOVERY

1. Push recovery wadding to bottom of body tube.

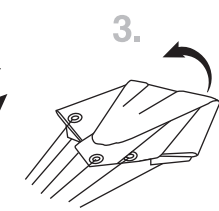


7-8 SQUARES
ESTES® RECOVERY
WADDING

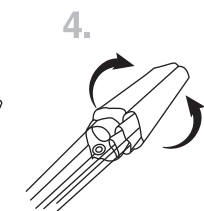
2.



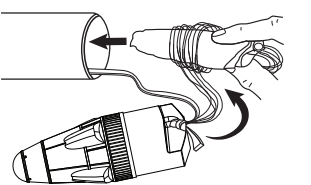
3.



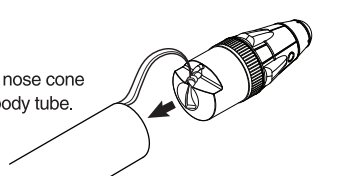
4.



5. Wrap lines loosely and insert parachute into body tube.



6. Insert nose cone into body tube.



NOTE:
Recovery wadding and parachute must slide easily into body tube.