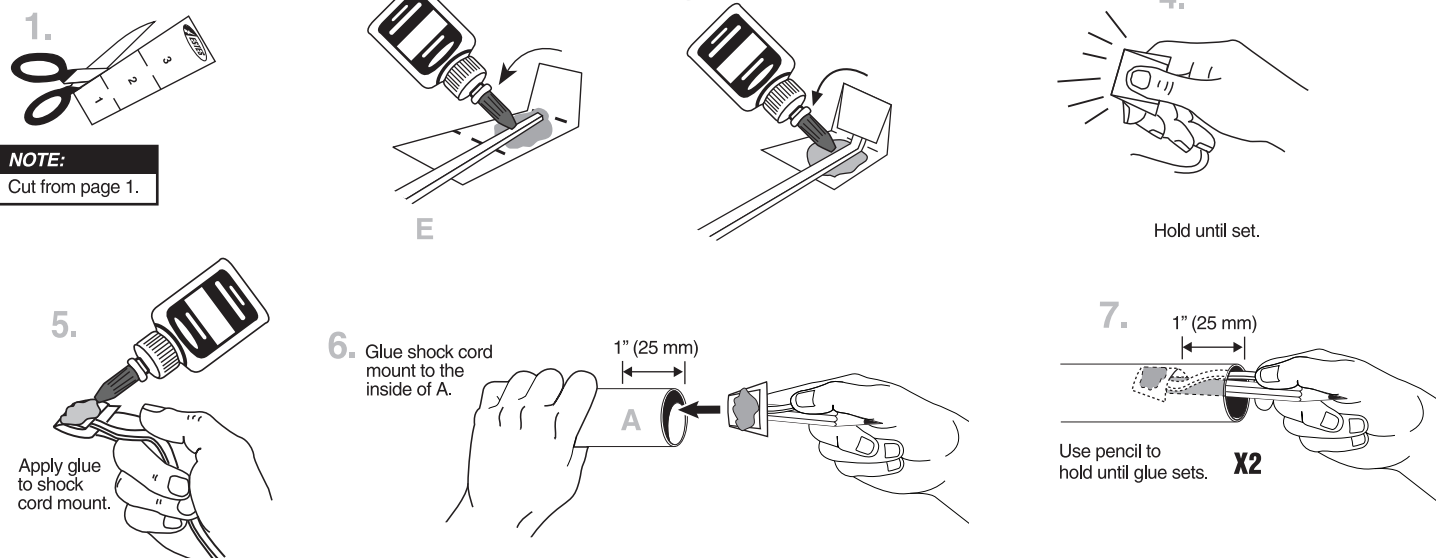
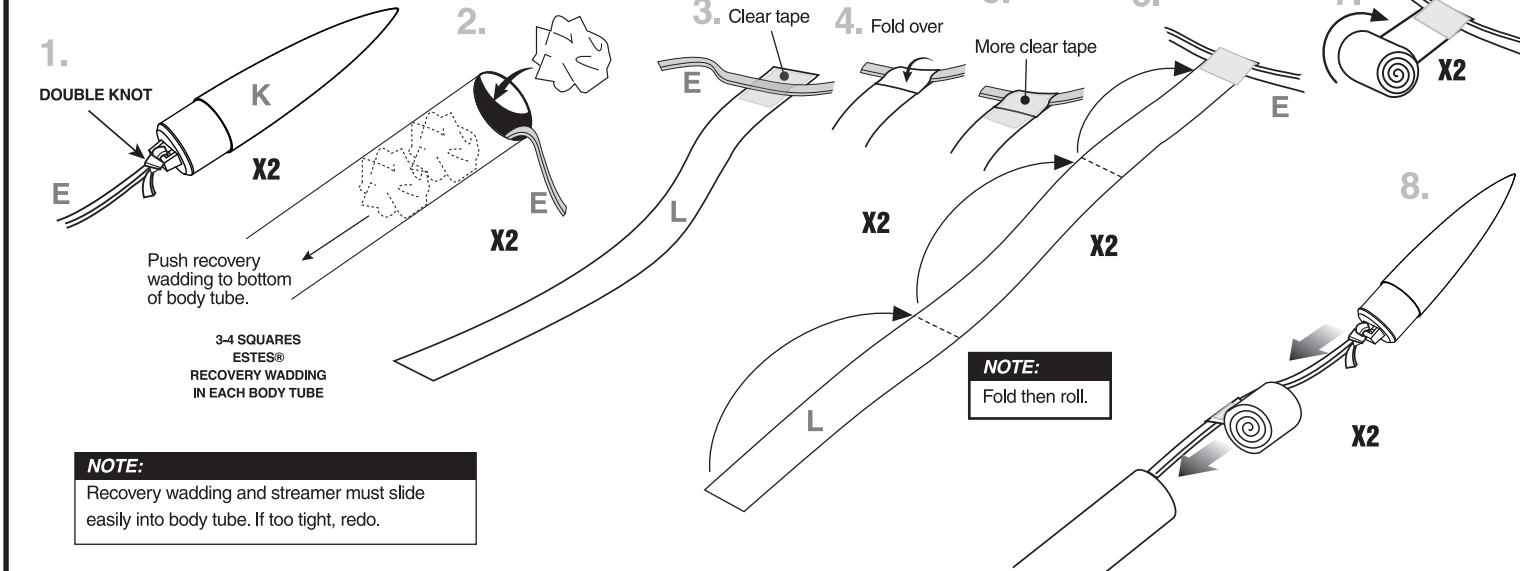


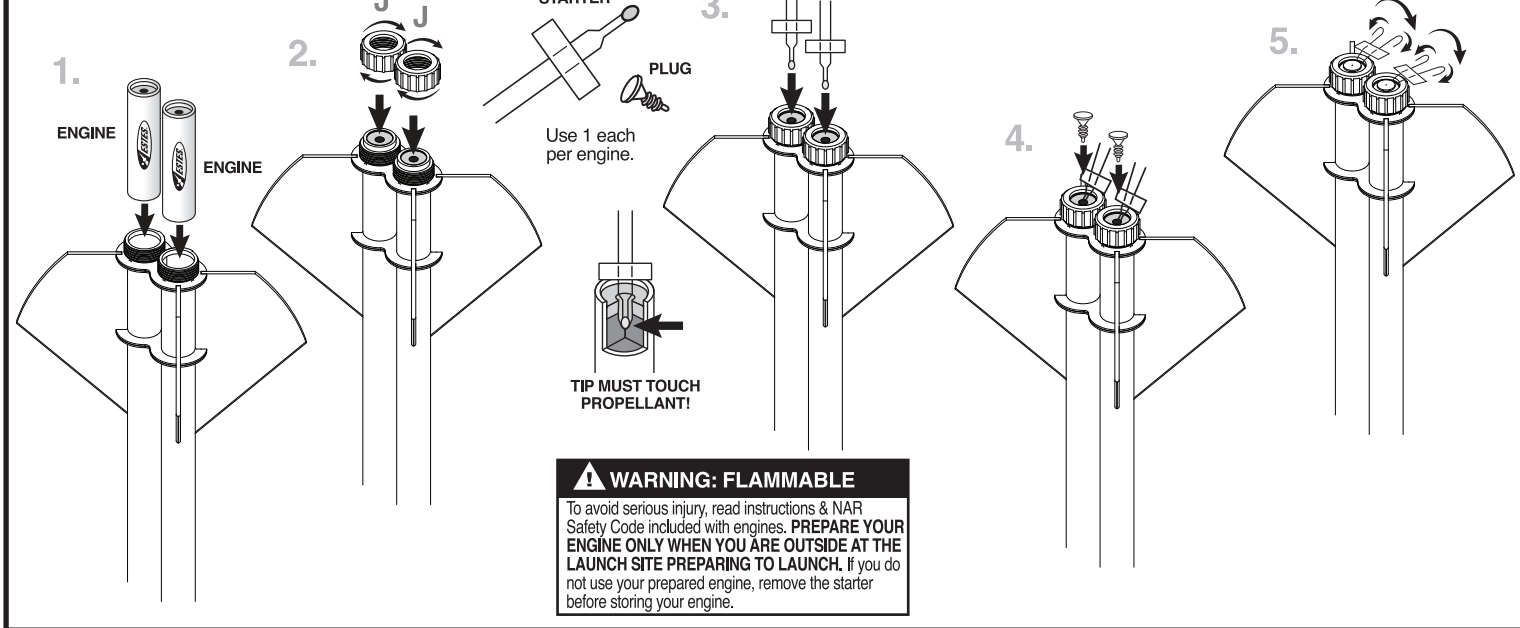
INSTALL SHOCK CORDS



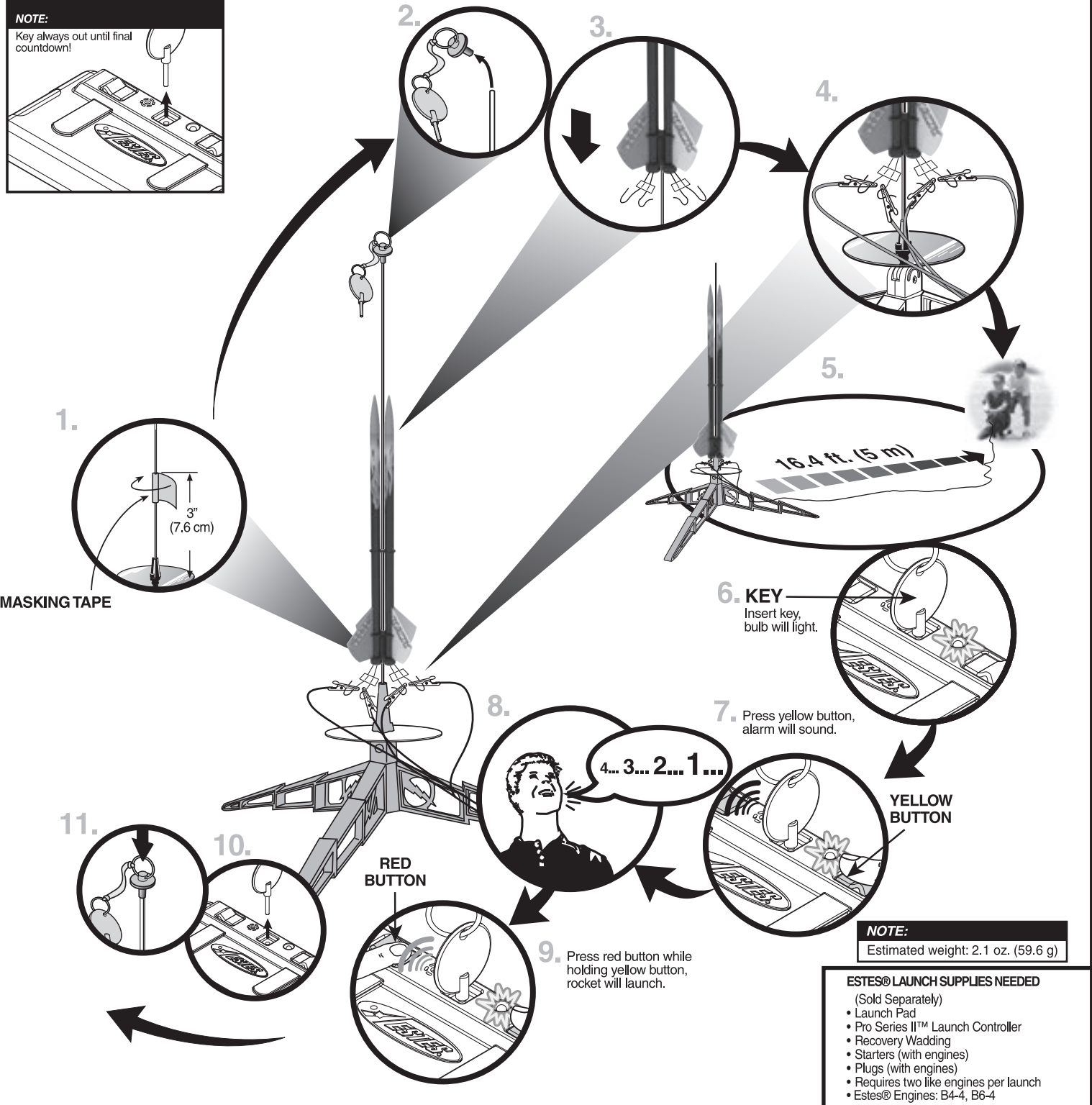
ATTACH SHOCK CORDS AND STREAMERS



PREPARE ENGINES



COUNTDOWN & LAUNCH



PRECAUTIONS

NAR SAFETY CODE

NO DRY GRASS OR WEEDS

PRE-LAUNCH CHECK For safety, never launch a damaged rocket. Check the rocket's body, nose cone and fins. Also, check the engine mount, recovery system and launch lug(s). Repair any damage before launching the rocket.

FLYING YOUR ROCKET Choose a large field (500 ft. [152 m] square) free of dry weeds and brown grass. The larger the launch area, the better your chance of recovering your rocket. Football fields and playgrounds are great. Launch only with little or no wind and good visibility. Always follow the National Association of Rocketry SAFETY CODE (enclosed).

MISFIRES TAKE THE KEY OUT OF THE CONTROLLER. WAIT ONE MINUTE BEFORE GOING NEAR THE ROCKET. Disconnect the micro-clips and remove the engine. Take the plug and starter out of the engine. A burned starter means the starter tip was not touching engine propellant. Install a new starter; be sure the tip is touching propellant inside the engine. Push the plug in place. Repeat steps under Countdown and Launch.

©2019 Estes Industries, LLC. All rights reserved.
Estes Industries, LLC, 1295 H Street, Penrose, CO 81240-9698 Made in: Guangdong, China

PAP

PN 090004-7287 (9 - 19)



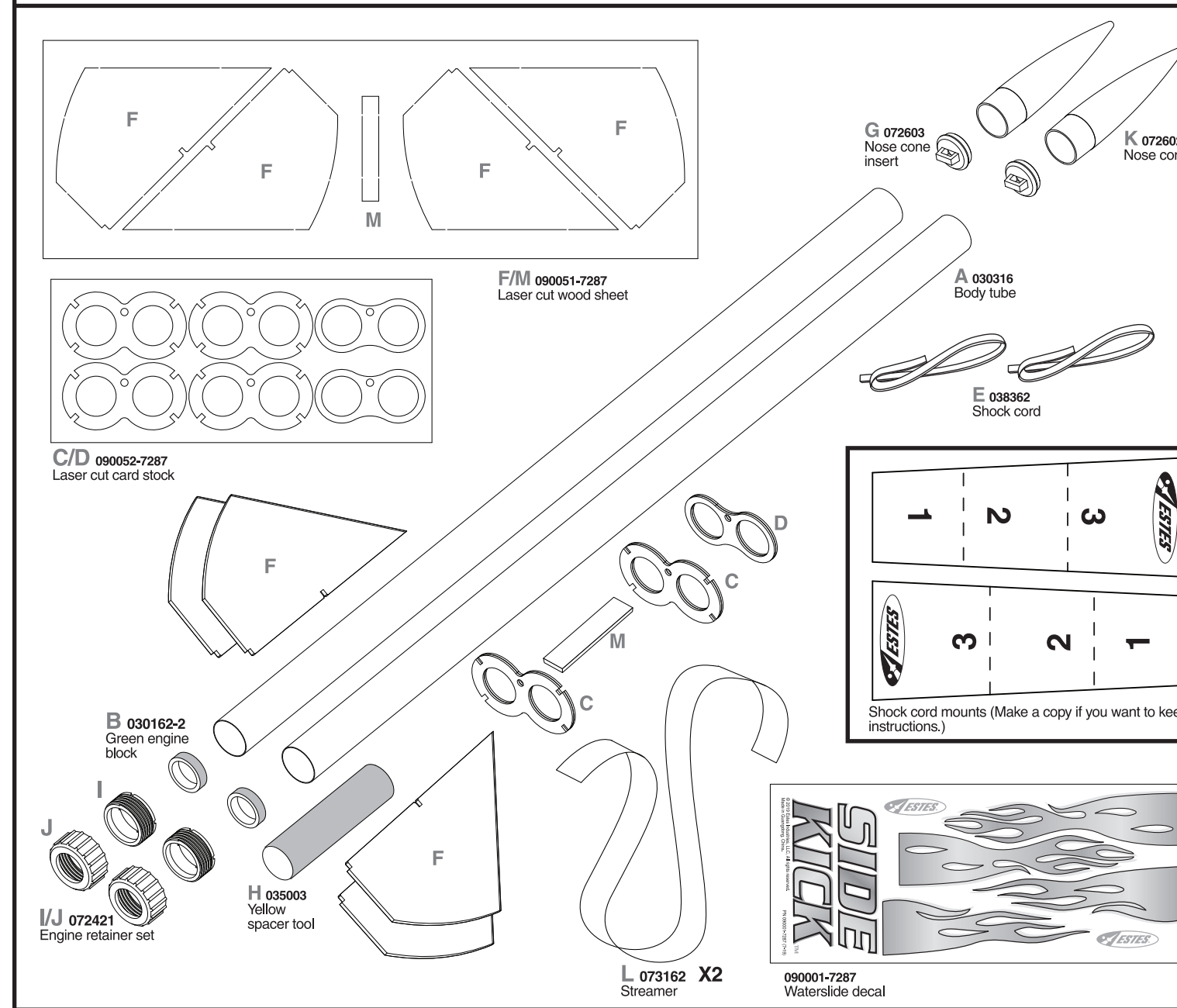
MODEL ROCKET INSTRUCTIONS

KEEP FOR FUTURE REFERENCE

IMPORTANT: Please record date found on decal and keep for future reference. _____

Read all instructions. Make sure you have all parts and supplies. Test fit all parts before applying glue.

- SUPPLIES**
- SCISSORS
 - PENCIL
 - RULER
 - YELLOW GLUE
 - HOBBY KNIFE
 - MASKING TAPE
 - PRIMER (WHITE)
 - PAINT (ORANGE, YELLOW, BLACK)
 - CLEAR COAT (OPTIONAL)
 - PLASTIC CEMENT
 - CLEAR TAPE
 - FINE SANDPAPER
 - SAND BLOCK



MARK BODY TUBES

1. Measure and mark **A**. X2

1/4" (6 mm)
2 1/4" (5.7 cm)
9" (22.9 cm)

ASSEMBLE TUBE ALIGNMENT MOUNTS

1.

2. Apply glue to entire surface. Make sure launch rod holes are aligned. Press firmly together. Let dry. X2

3. Apply glue to entire surface. Make sure launch rod holes are aligned. Press firmly together. Let dry.

Launch rod hole

ASSEMBLE ENGINE MOUNTS

1. Measure and mark **H**. X2

2. Apply glue inside **A**.

3. Use **H** (yellow spacer tool) to insert **B** (green engine block) into position.

4.

1/4" (6 mm)

2 1/4" (5.7 cm)

Mark **H**

Insert **H** to mark.

REMOVE **H** IMMEDIATELY.

Let dry.

ASSEMBLE BODY TUBES

1. Slide both **C** assemblies over **A** to 1/4" (6 mm) and 2 1/4" (5.7 cm) marks.

2. Apply glue to both sides of **C**.

FLAT SURFACE

NOTE: Glue on flat surface.

Let dry.

Make sure launch rod holes are aligned.

ASSEMBLE BODY TUBES (CONTINUED)

3. Slide **D** assembly over **A** to 9" (22.9 cm) marks.

Holes must be on same side of rocket.

FLAT SURFACE

4. Apply glue to both sides of **D**.

Let dry.

2 1/4" (5.7 cm)

1/4" (6 mm)

9" (22.9 cm)

PREPARE AND ATTACH FINS

1. Sand both sides.

2.

3.

ROUND EDGES

4.

5. Part **M** is centered between both **A** parts.

Let dry.

END VIEW

ASSEMBLE NOSE CONES

1.

2. Twist and let dry. X2

ATTACH ENGINE RETAINERS

1.

2. Apply glue fillets to both sides of all joints.

3. Smooth glue fillets with finger.

4. Let dry.

WRAP MASKING TAPE AROUND ENDS OF I TO PROTECT SURFACE FROM PRIMER AND PAINT.

ROCKET FINISHING

1. Spray rocket with white primer, let dry, and sand. Repeat until rocket is smooth, then paint. Apply decals after paint is dry.

2. Cut decals from sheet, trimming close to edge.

3. One at a time, place in warm water until decal curls and begins to relax.

4. Remove and position on rocket, sliding decal away from backing material.

5. Blot with clean paper towel. Let set overnight.

6. OPTIONAL: Apply protective clear coat.

7. Remove masking tape.

Gloss orange paint

Gloss black paint

Decal

Gloss yellow paint