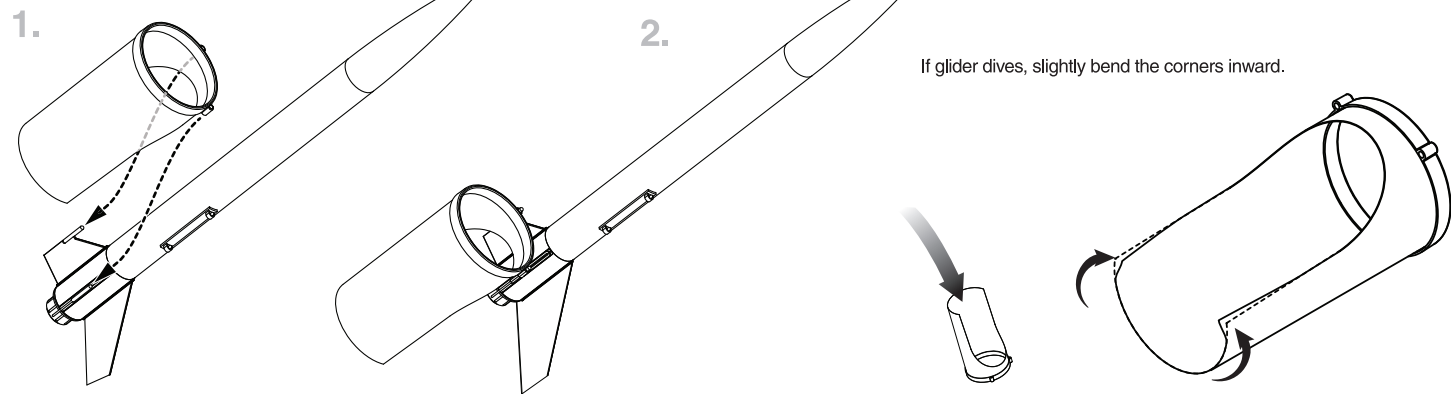
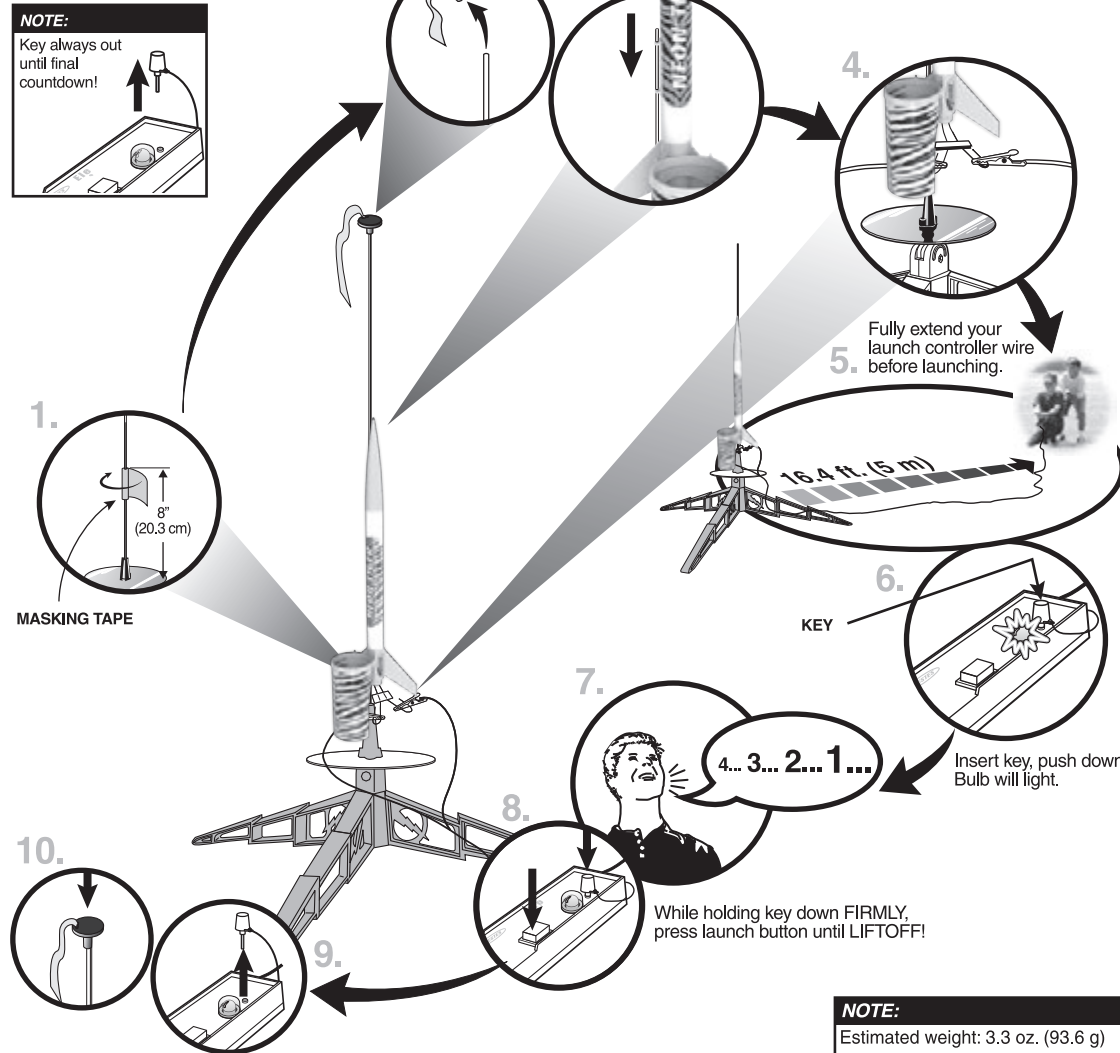


**ATTACH GLIDER**



**COUNTDOWN AND LAUNCH**



- ESTES® LAUNCH SUPPLIES NEEDED (Sold Separately)**
- Launch Pad
  - Launch Controller
  - Recovery Wadding
  - Starters (with engines)
  - Plugs (with engines)
  - Estes® Engines: B6-2, C6-3

**NOTE:**  
Estimated weight: 3.3 oz. (93.6 g)

**PRECAUTIONS**



**PRE-LAUNCH CHECK** For safety, never launch a damaged rocket. Check the rocket's body, nose cone and fins. Also, check the engine mount, recovery system and launch lug(s). Repair any damage before launching the rocket.  
**FLYING YOUR ROCKET** Choose a large field (500 ft [152 m] square) free of dry weeds and brown grass. The larger the launch area, the better your chance of recovering your rocket. Football fields and playgrounds are great. Launch only with little or no wind and good visibility. Always follow the National Association of Rocketry (NAR) SAFETY CODE (enclosed).  
**MISFIRES TAKE THE KEY OUT OF THE CONTROLLER. WAIT ONE MINUTE BEFORE GOING NEAR THE ROCKET.** Disconnect the micro-clips and remove the engine. Take the plug and starter out of the engine. A burned starter means the starter tip was not touching engine propellant. Install a new starter; be sure the tip is touching propellant inside the engine. Push the plug in place. Repeat steps under Countdown and Launch.



**NEON TIGER™**

7298

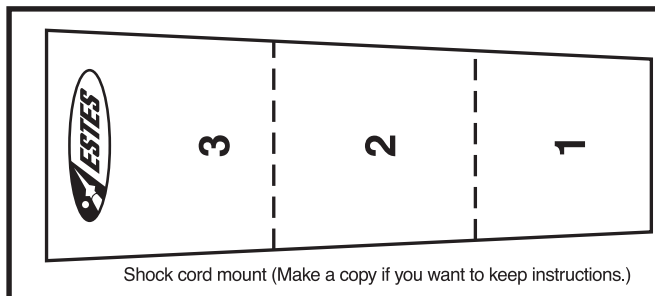
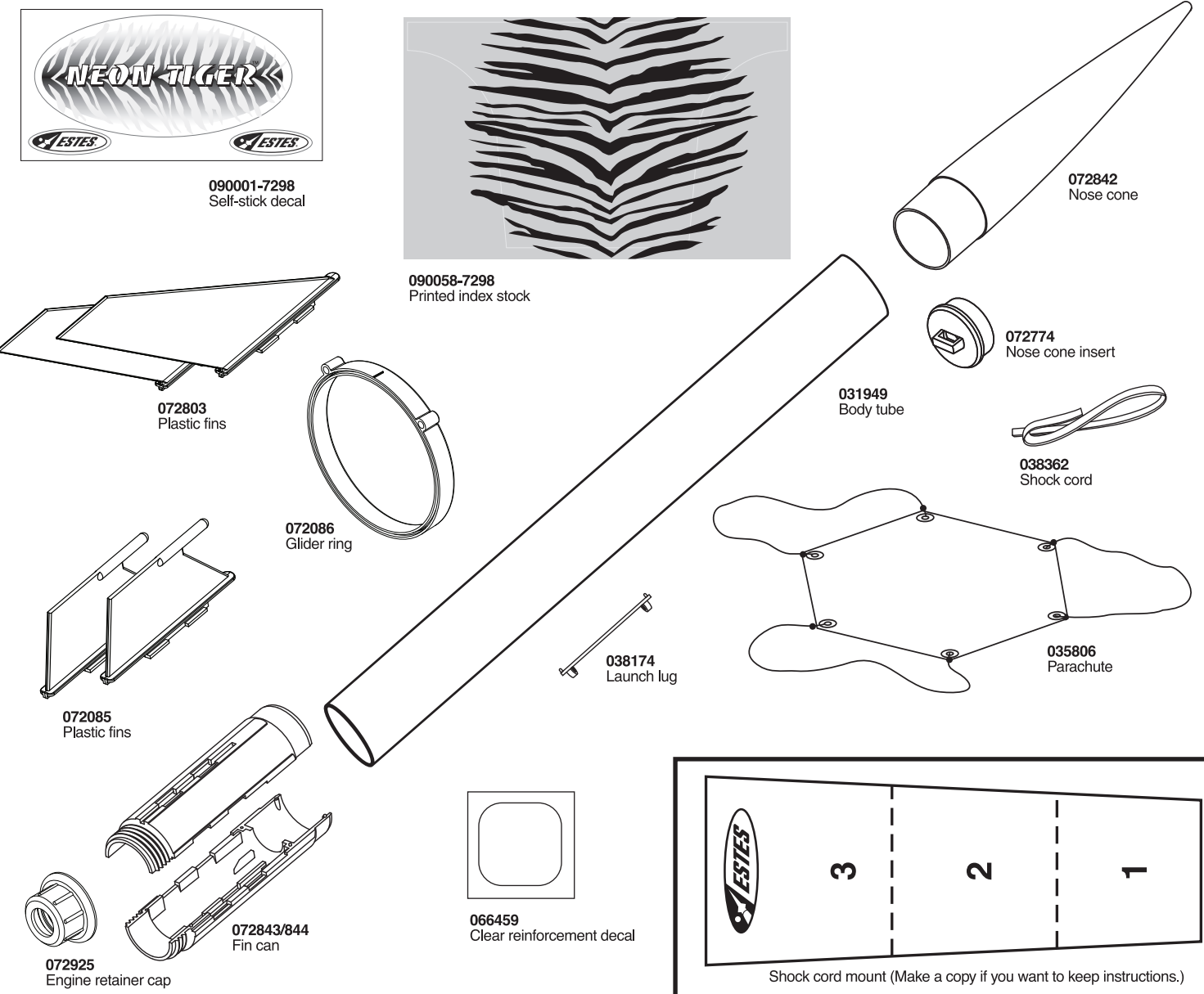
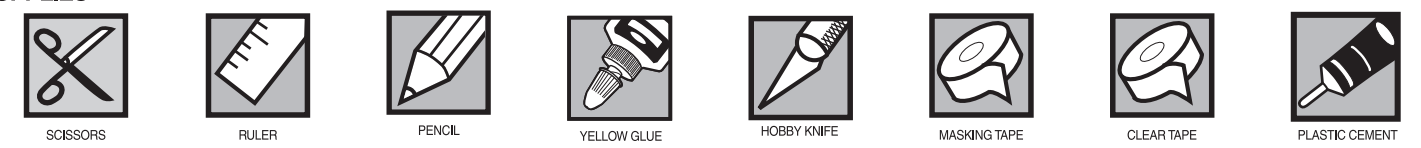


**MODEL ROCKET INSTRUCTIONS**

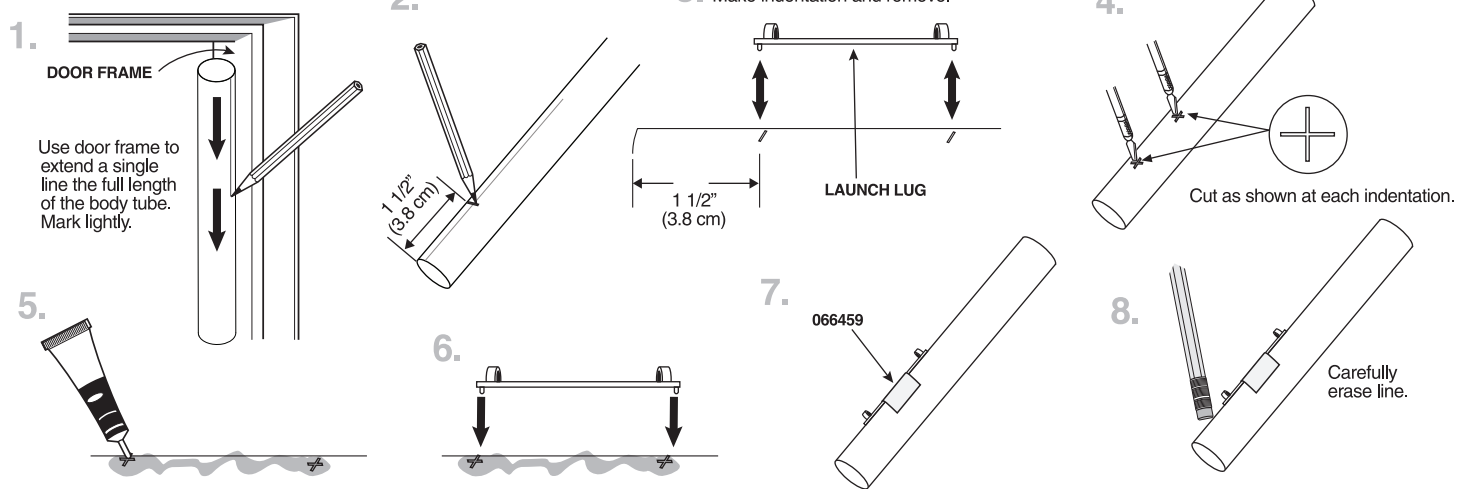
**KEEP FOR FUTURE REFERENCE**

**IMPORTANT:** Please record date found on decal and keep for future reference. \_\_\_\_\_  
**READ ALL INSTRUCTIONS.** Make sure you have all parts and supplies. Test fit all parts before applying glue.

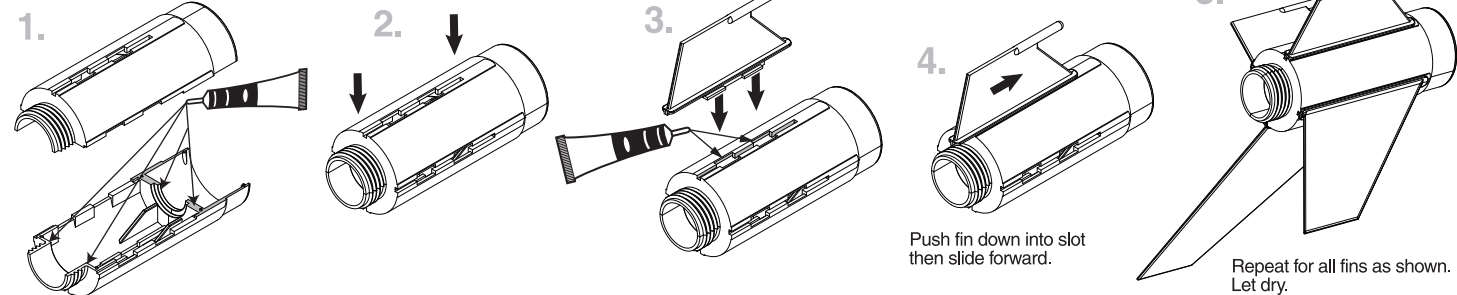
**SUPPLIES**



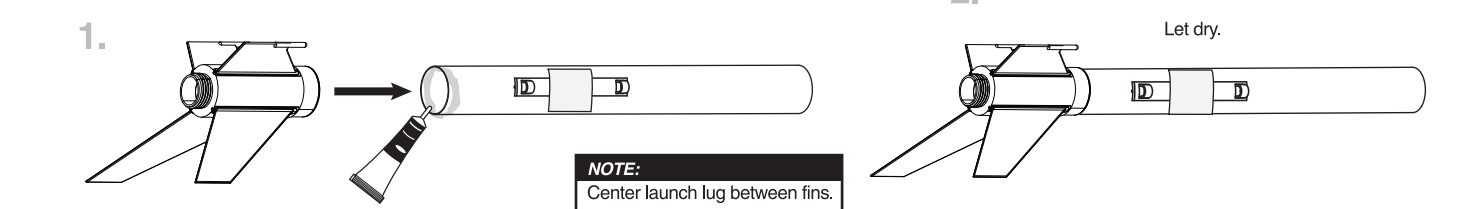
### ATTACH LAUNCH LUG



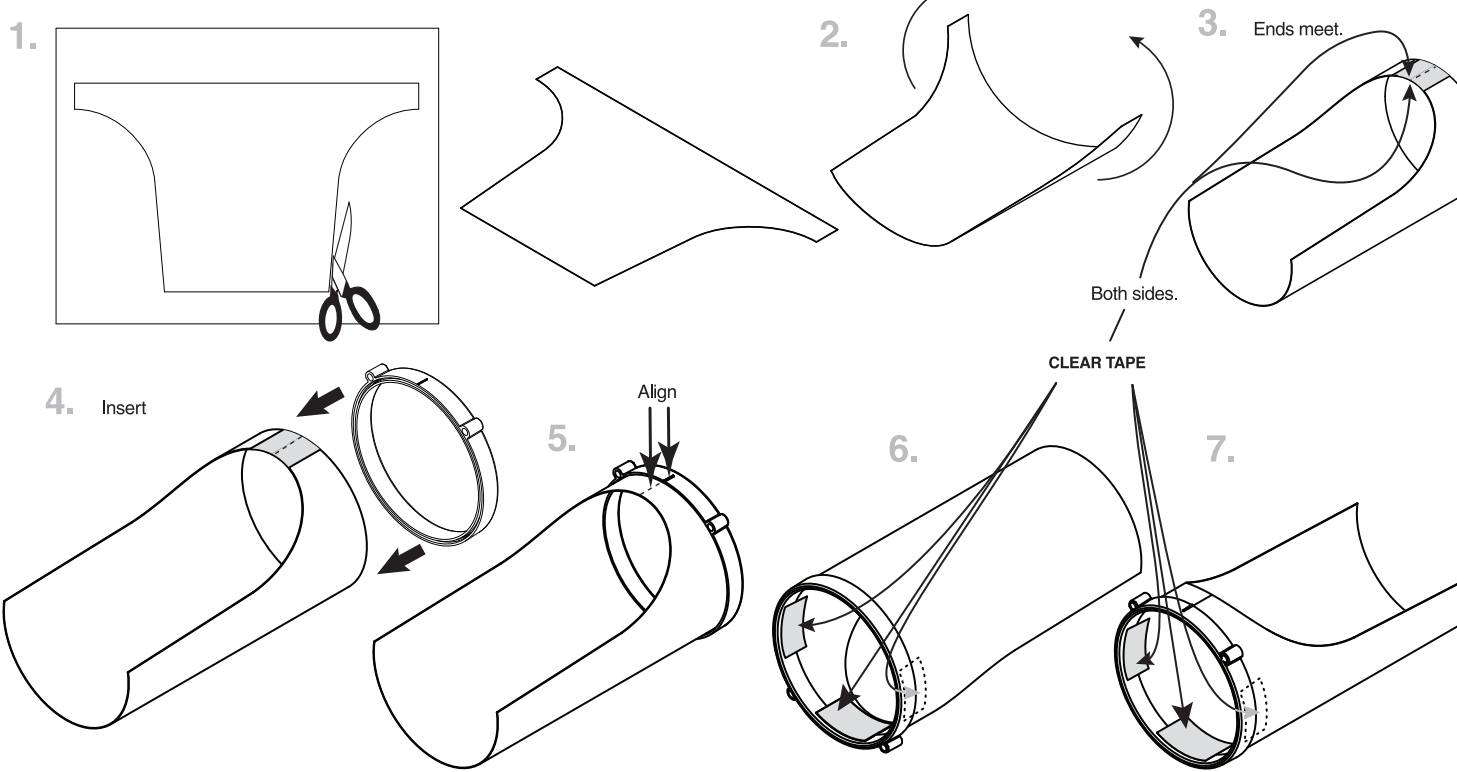
### PREPARE FINS



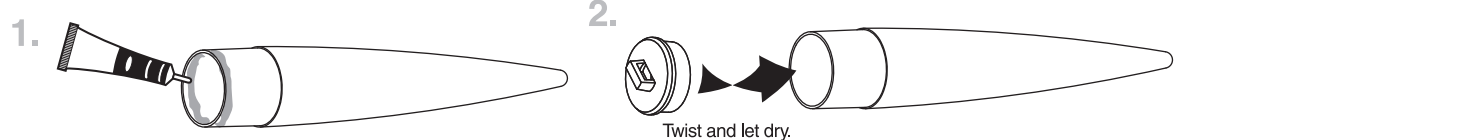
### ATTACH BODY TUBE



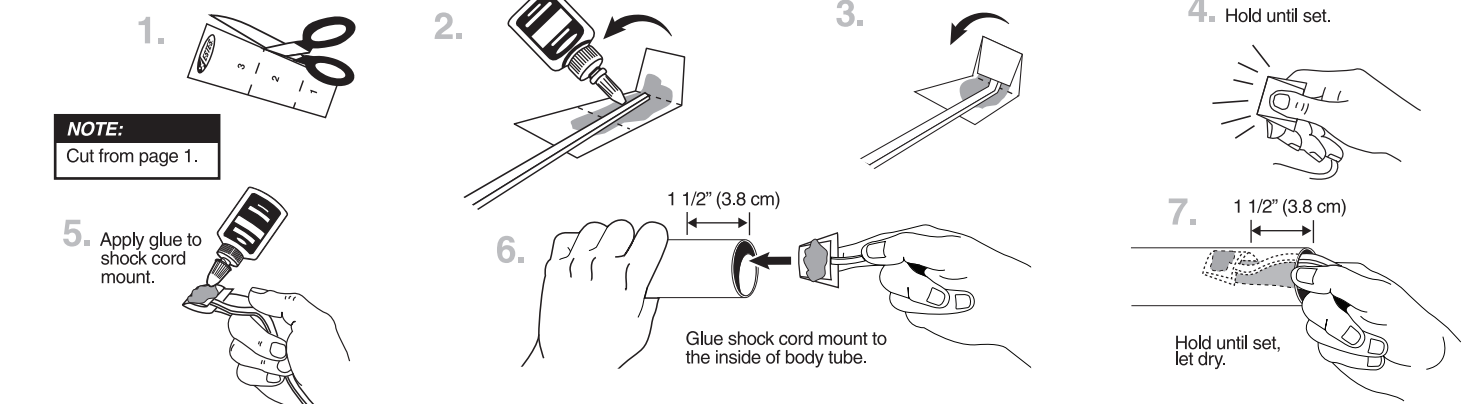
### ASSEMBLE GLIDER



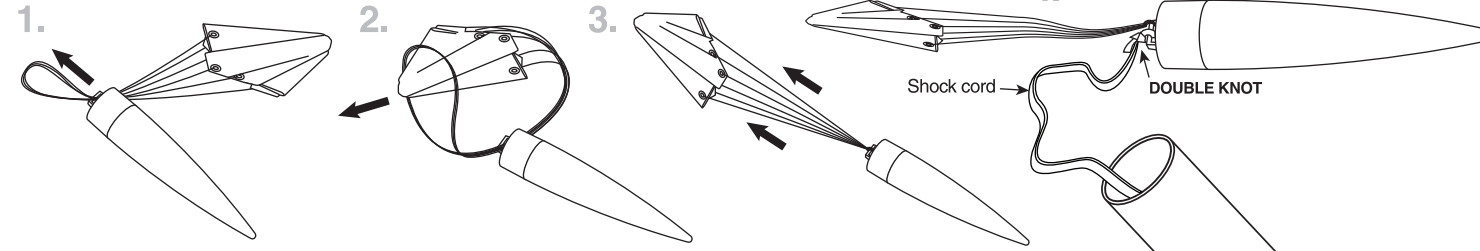
### ASSEMBLE NOSE CONE



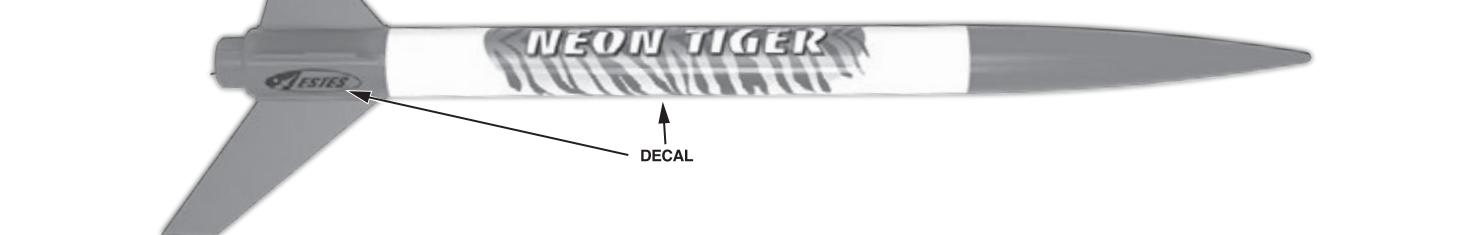
### ATTACH SHOCK CORD



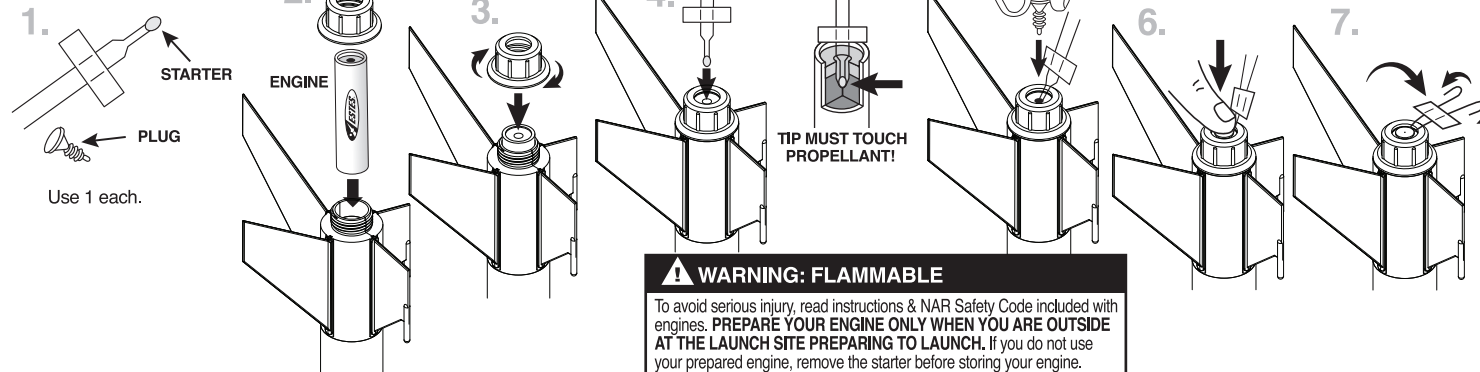
### ATTACH PARACHUTE & SHOCK CORD



### APPLY DECALS



### PREPARE ENGINE



### PREPARE FLIGHT RECOVERY

