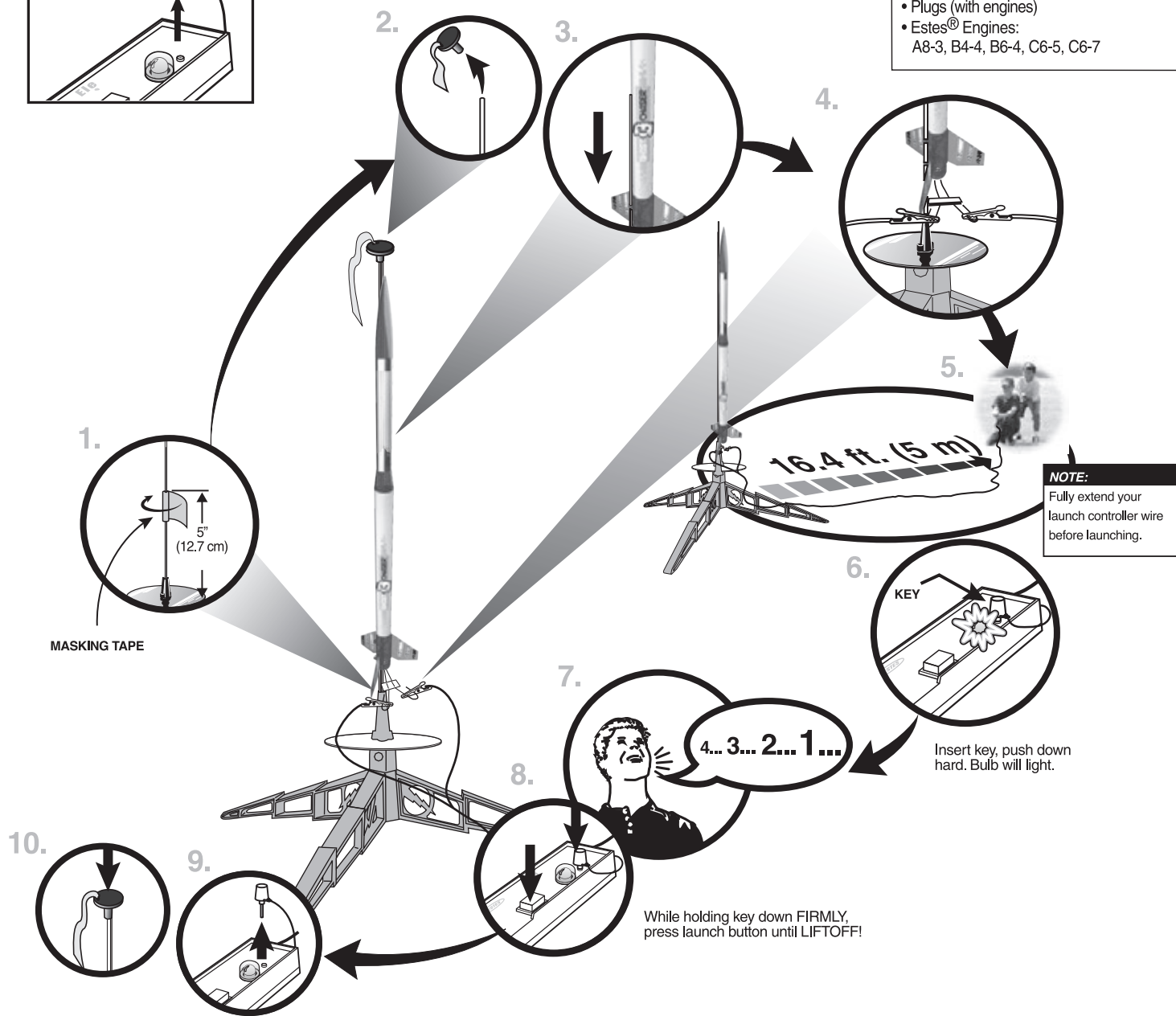




- ESTES® LAUNCH SUPPLIES NEEDED (Sold Separately)**
- Launch Pad
 - Launch Controller
 - Recovery Wadding
 - Starters (with engines)
 - Plugs (with engines)
 - Estes® Engines:
A8-3, B4-4, B6-4, C6-5, C6-7



PRECAUTIONS



NAR SAFETY CODE



NO DRY GRASS OR WEEDS

PRE-LAUNCH CHECK: For safety, never launch a damaged rocket. Check the rocket body, nose cone and fins. Also, check the engine mount, recovery system and launch lug(s). Repair any damage before launching the rocket.

FLYING YOUR ROCKET: Choose a large field (500 ft. [152 m] square) free of dry weeds and brown grass. The larger the launch area, the better your chance of recovering your rocket. Football fields and playgrounds are great. Launch only with little or no wind and good visibility. Always follow the National Association of Rocketry NAR SAFETY CODE (enclosed).

MISFIRES: TAKE THE KEY OUT OF THE CONTROLLER. WAIT ONE MINUTE BEFORE GOING NEAR THE ROCKET. Disconnect the micro-clips and remove the engine. Take the plug and starter out of the engine. A burned starter means the starter tip was not touching engine propellant. Install a new starter; be sure the tip is touching propellant inside the engine. Push the plug in place. Repeat steps under Countdown and Launch.



PN 090004-7300 (11-19)



EstesRockets.com

Ghost Chaser™

7300

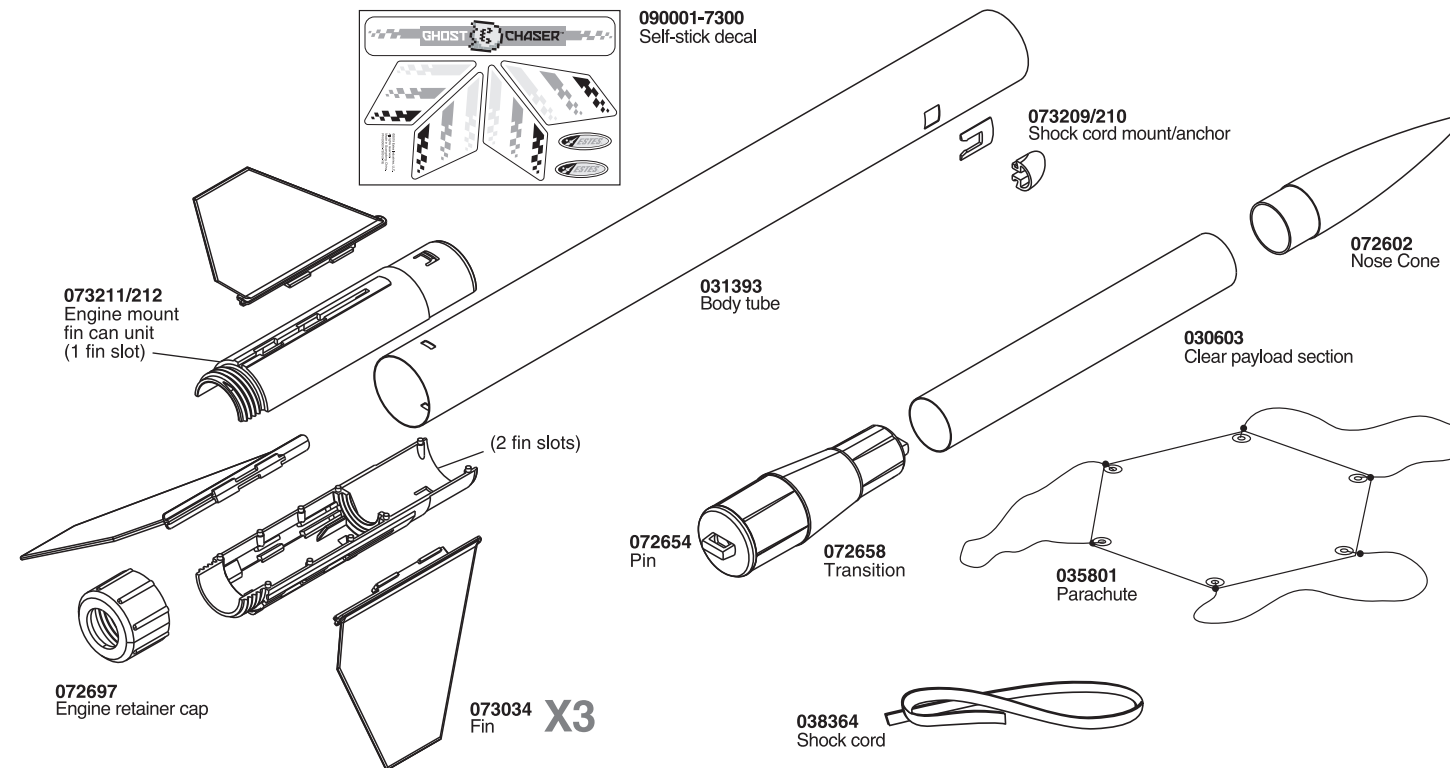


MODEL ROCKET INSTRUCTIONS

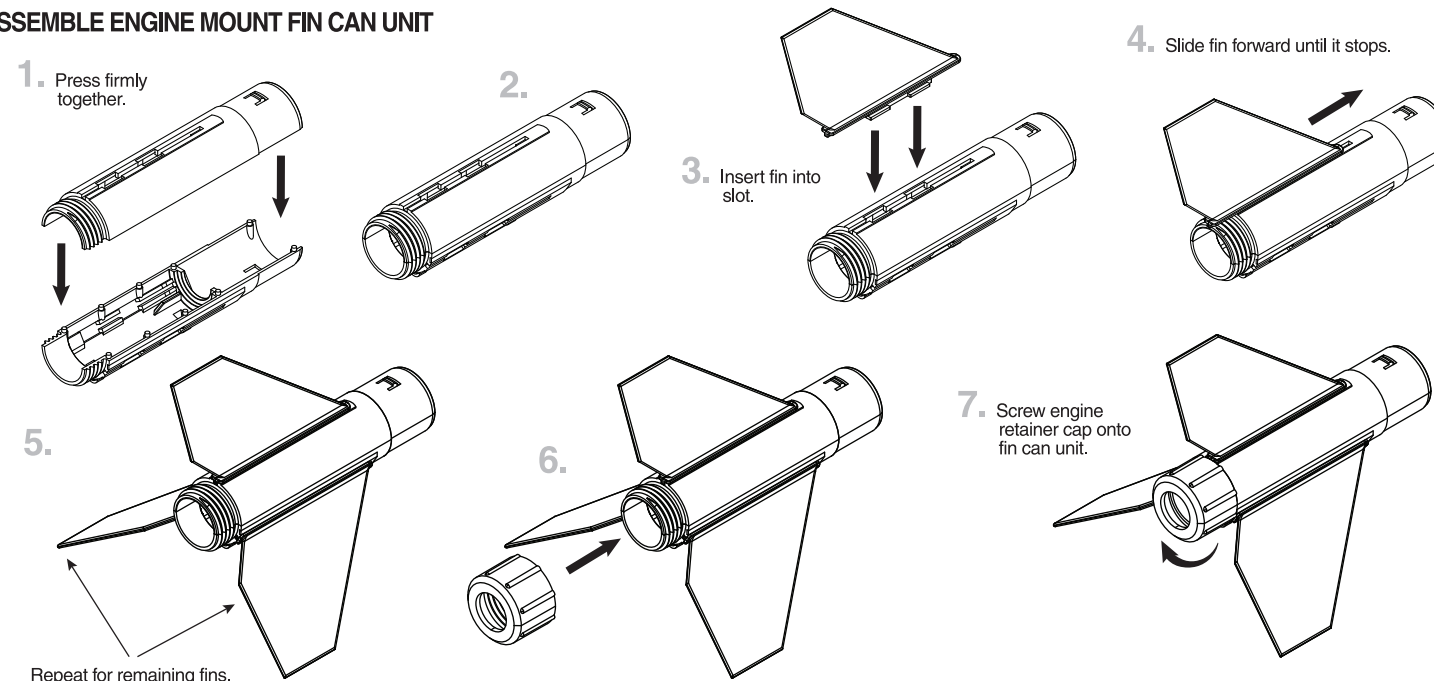
KEEP FOR FUTURE REFERENCE

IMPORTANT: Please record date found on package and keep for future reference.

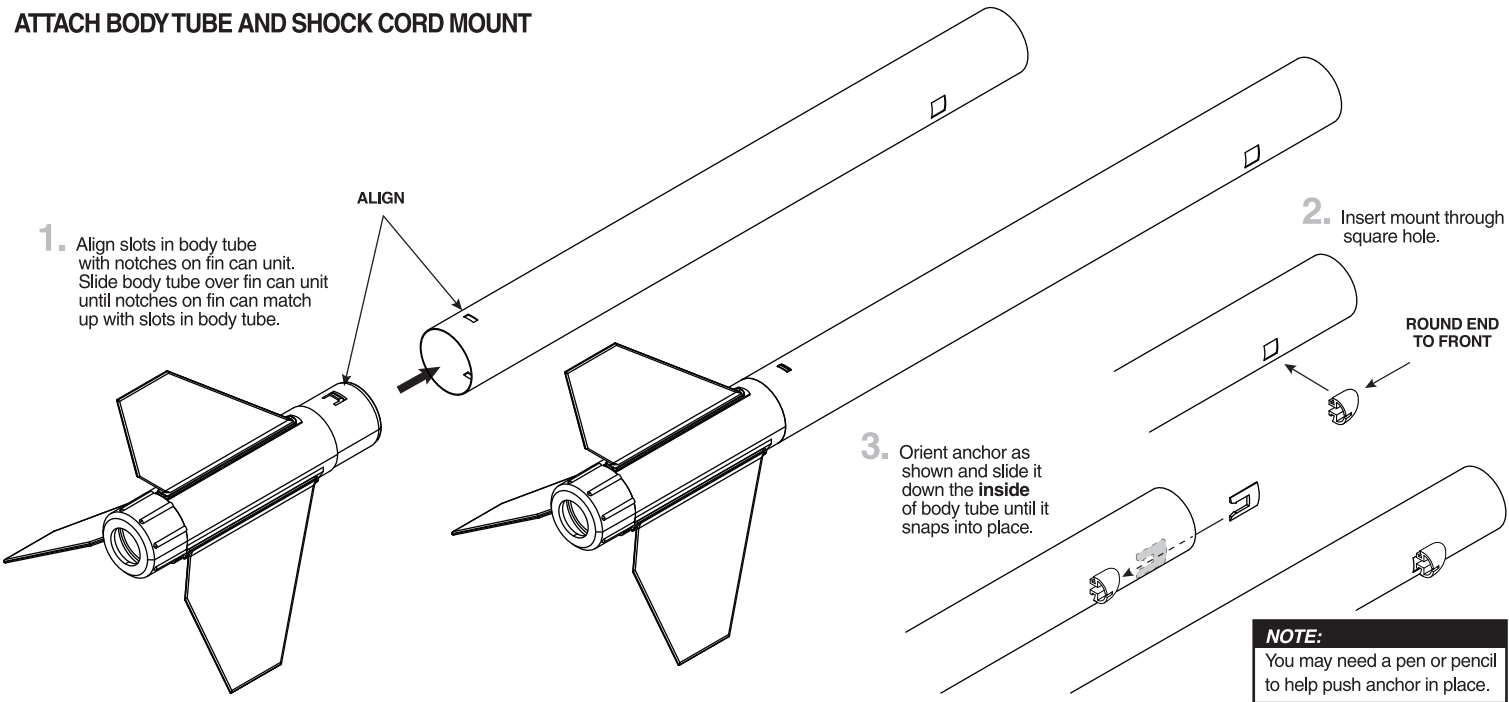
READ ALL INSTRUCTIONS. Make sure you have all parts and supplies.



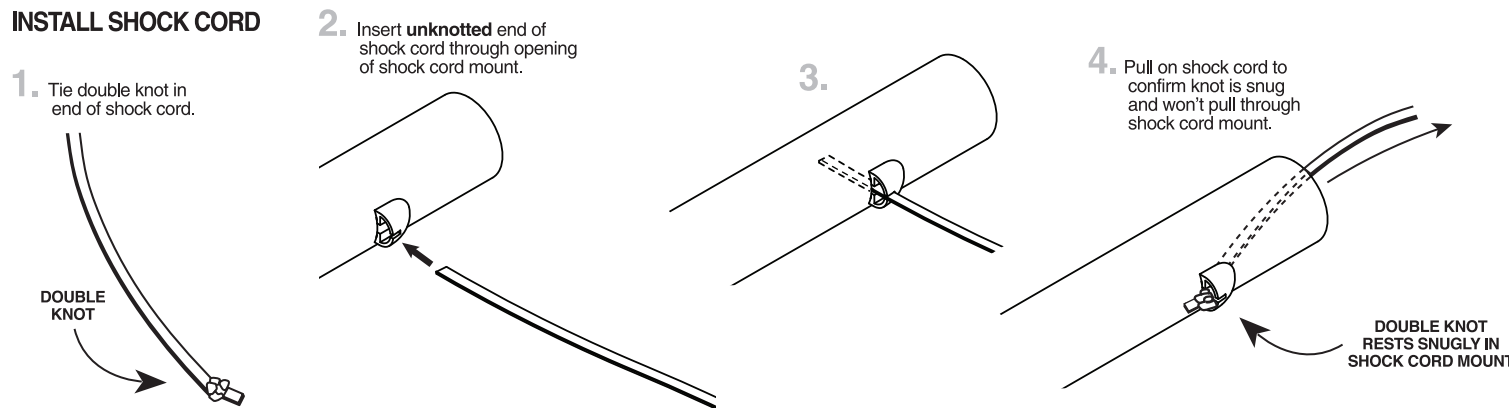
ASSEMBLE ENGINE MOUNT FIN CAN UNIT



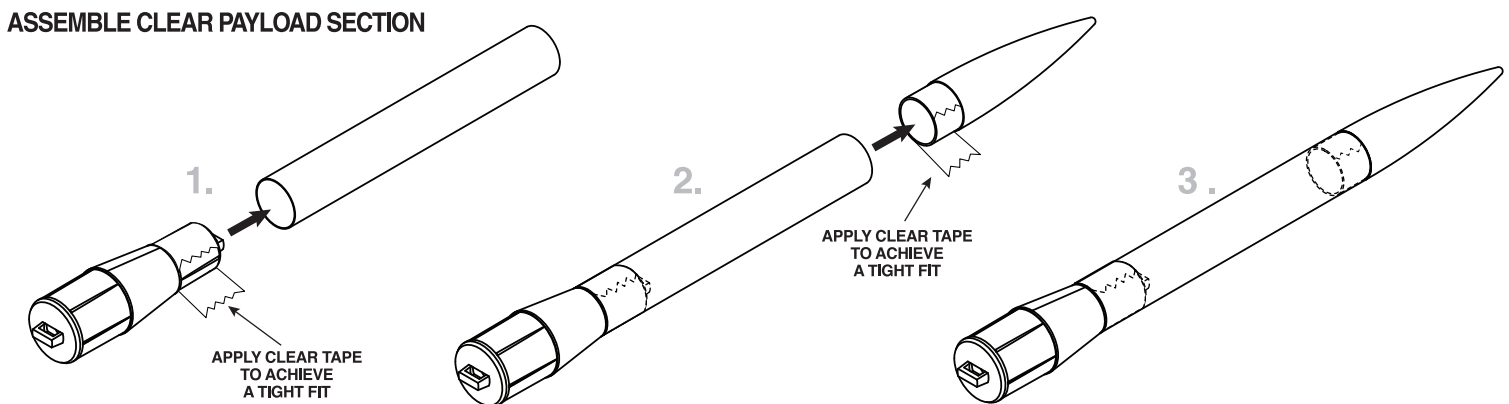
ATTACH BODY TUBE AND SHOCK CORD MOUNT



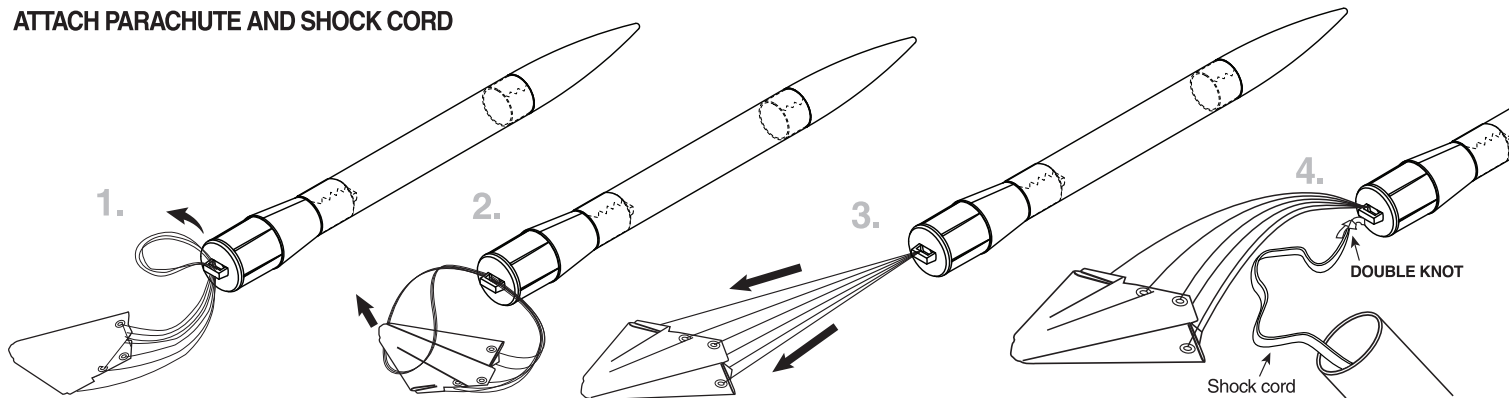
INSTALL SHOCK CORD



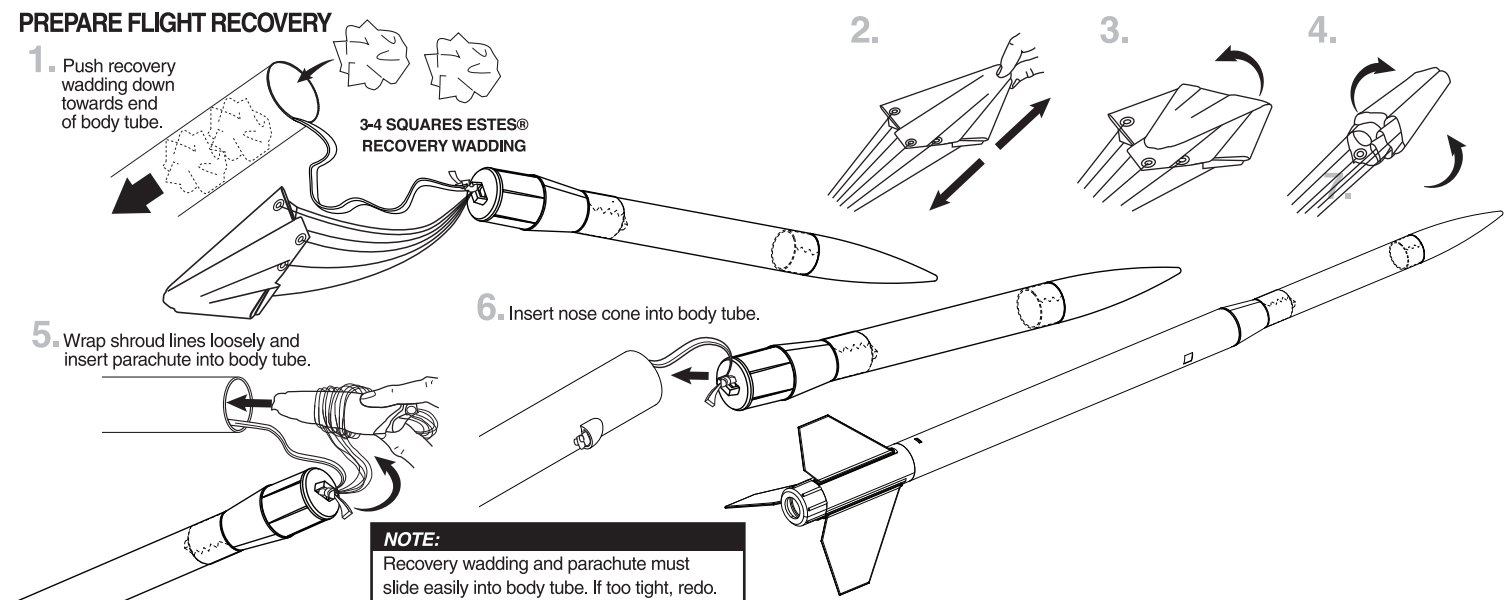
ASSEMBLE CLEAR PAYLOAD SECTION



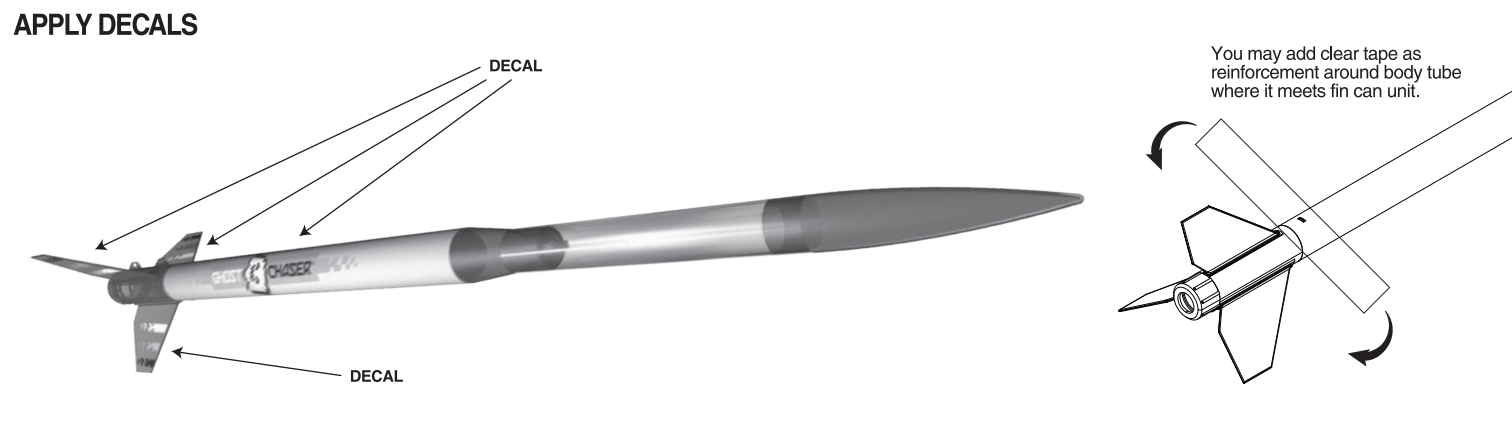
ATTACH PARACHUTE AND SHOCK CORD



PREPARE FLIGHT RECOVERY



APPLY DECALS



PREPARE ENGINE

