





estesrockets.com

# LUNA BUG™

0816



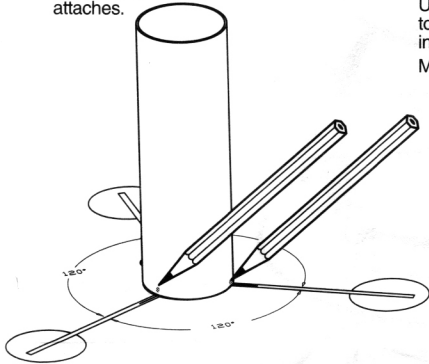
## MODEL ROCKET INSTRUCTIONS

### KEEP FOR FUTURE REFERENCE

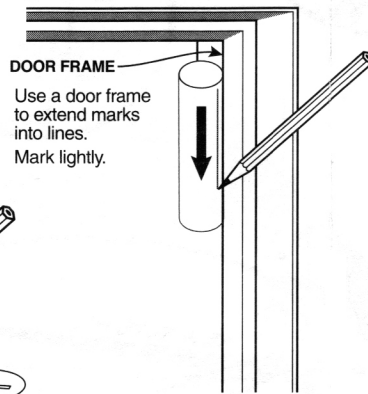
**IMPORTANT:** Please record date found on panel and keep for future reference. \_\_\_\_\_

**READ ALL INSTRUCTIONS.** Make sure you have all parts and supplies. Test fit all parts before applying glue. Sand as necessary for precision assembly. Product color and shape may vary.

1. Use template to make a mark on the body tube where each fin attaches.

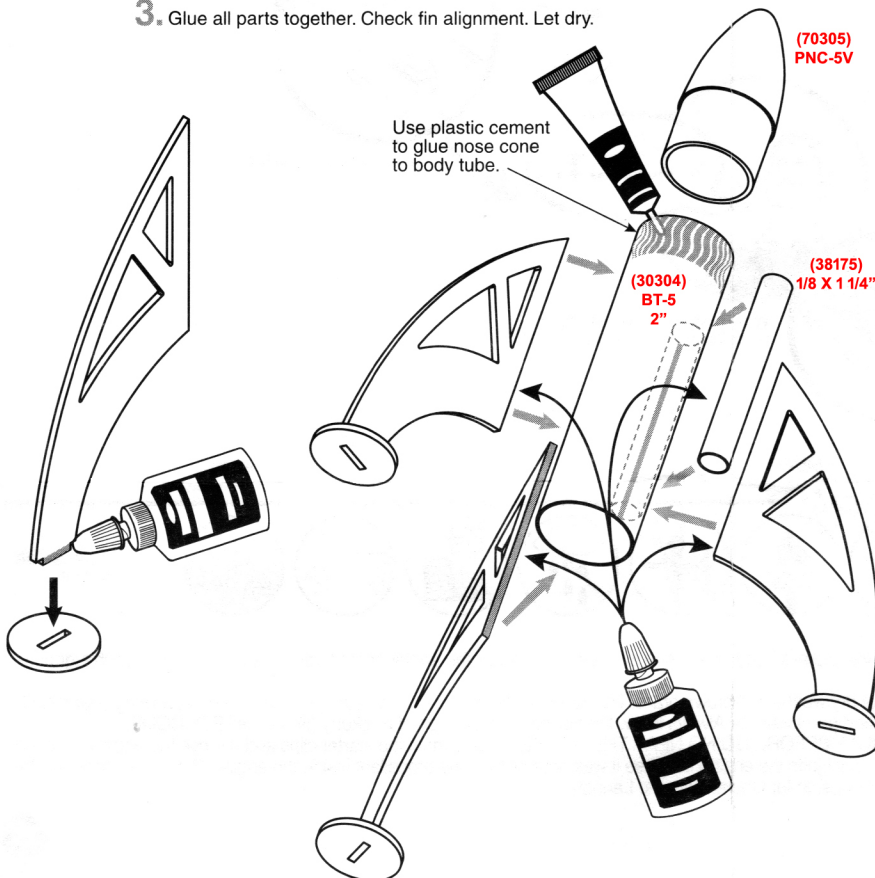


2.



**DOOR FRAME**  
Use a door frame to extend marks into lines.  
Mark lightly.

3. Glue all parts together. Check fin alignment. Let dry.



Use plastic cement to glue nose cone to body tube.



MASKING TAPE



PENCIL



PLASTIC CEMENT



YELLOW GLUE



FINE SANDPAPER



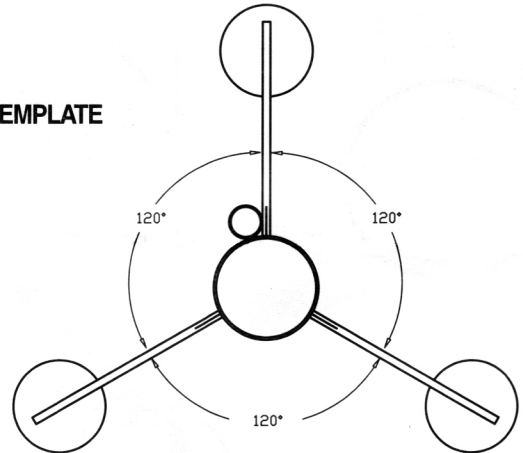
PRIMER (WHITE)



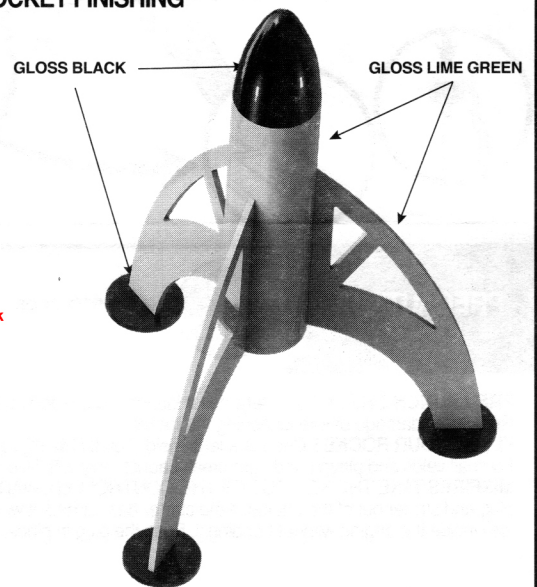
GLOSS PAINT (LIME GREEN, BLACK)

### SUPPLIES

### TEMPLATE

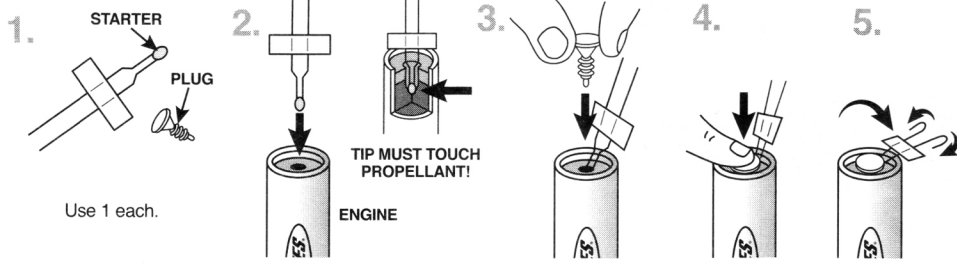


### ROCKET FINISHING



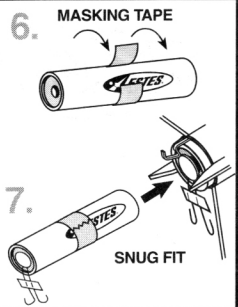
Spray rocket with white primer, let dry and sand. Repeat until rocket is smooth, then paint.

## PREPARE ENGINE



**NOTE:**  
If necessary, place a piece of tape on side of engine to friction fit it in body.

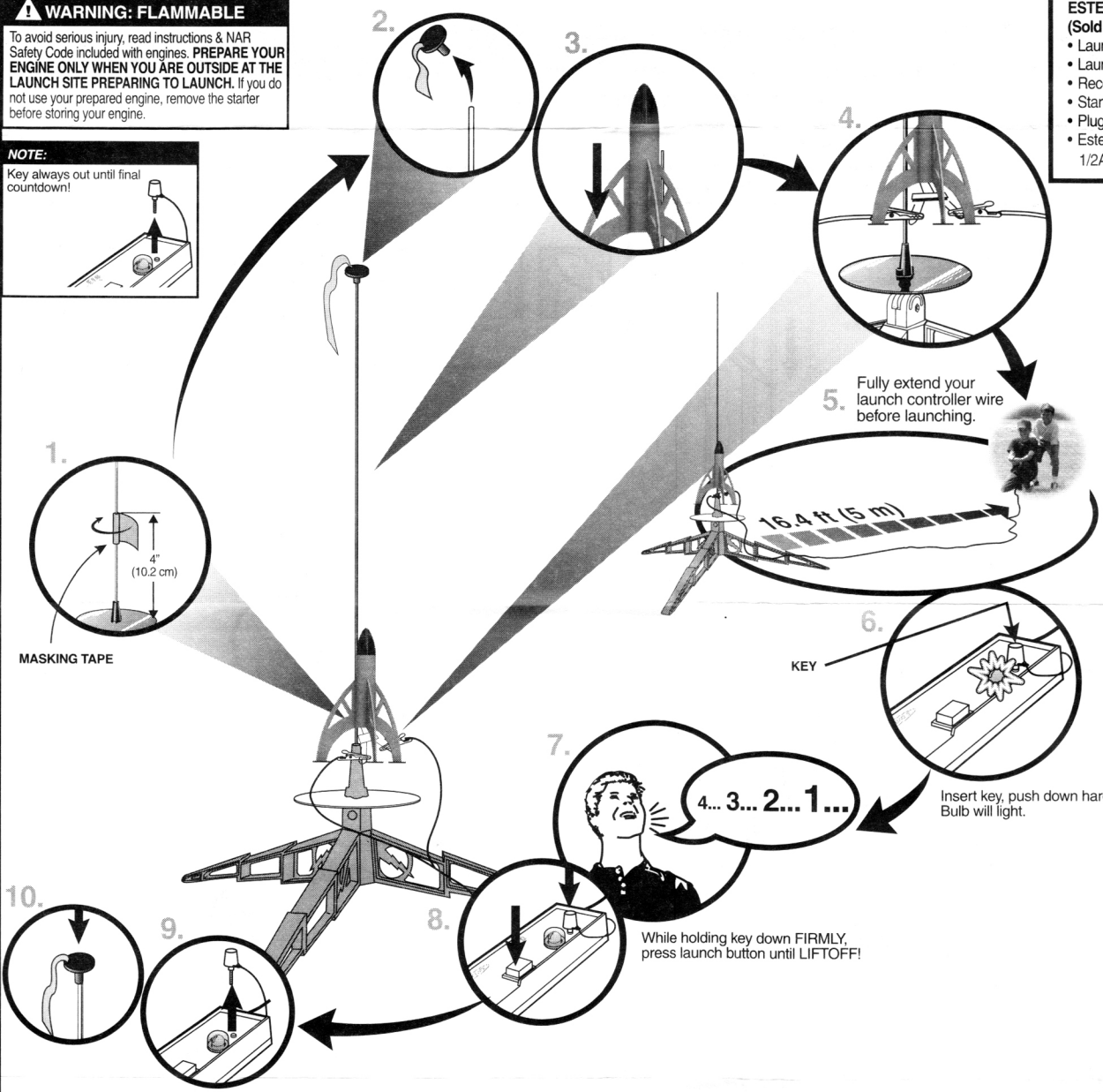
**IMPORTANT:**  
Engine must not fit too tightly into rocket. When engine fires, the engine casing is ejected from rocket.



**WARNING: FLAMMABLE**  
To avoid serious injury, read instructions & NAR Safety Code included with engines. **PREPARE YOUR ENGINE ONLY WHEN YOU ARE OUTSIDE AT THE LAUNCH SITE PREPARING TO LAUNCH.** If you do not use your prepared engine, remove the starter before storing your engine.

**NOTE:**  
Key always out until final countdown!

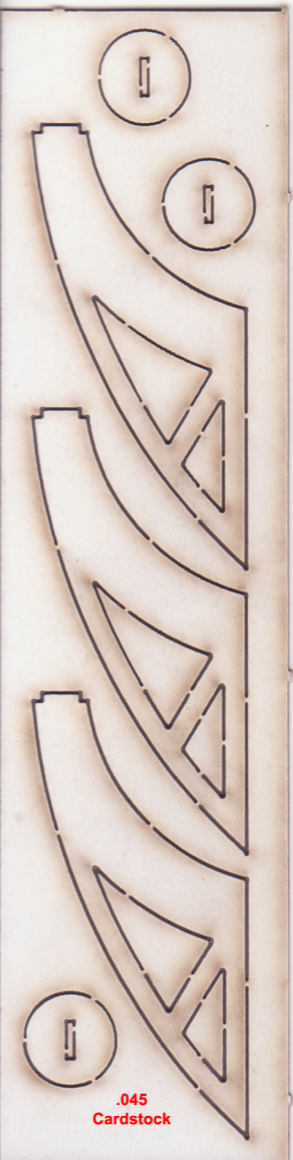
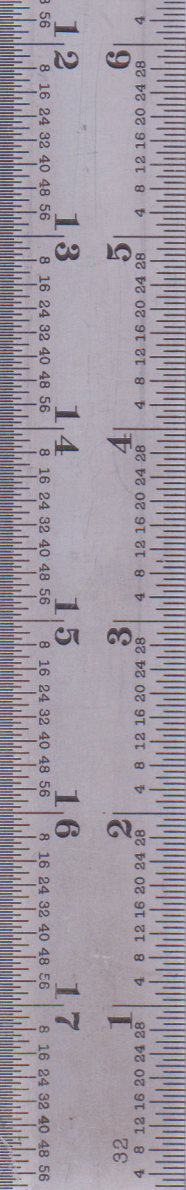
- ESTES LAUNCH SUPPLIES NEEDED (Sold Separately)**
- Launch Pad
  - Launch Controller
  - Recovery Wadding
  - Starters (with engines)
  - Plugs (with engines)
  - Estes® Engines: 1/4 A3-3T (first launch), 1/2A3-2T, 1/2A3-4T, A3-4T, A10-3T



## PRECAUTIONS



**PRE-LAUNCH CHECK** For safety, never launch a damaged rocket. Check the rocket's body, nose cone and fins. Also, check the engine mount, recovery system and launch lug(s). Repair any damage before launching the rocket.  
**FLYING YOUR ROCKET** Choose a large field (500 ft [152 m] square) free of dry weeds and brown grass. The larger the launch area, the better your chance of recovering your rocket. Football fields and playgrounds are great. Launch only with little or no wind and good visibility. Always follow the National Association of Rocketry (NAR) SAFETY CODE.  
**MISFIRES TAKE THE KEY OUT OF THE CONTROLLER. WAIT ONE MINUTE BEFORE GOING NEAR THE ROCKET!** Disconnect the starter clips and remove the engine. Take the plug and starter out of the engine. If the starter has burned, it worked but did not ignite the engine because it was not touching the propellant inside the engine. Put a new starter all the way inside the engine without bending it. Push the plug in place. Repeat the steps under Countdown and Launch.



.045  
Cardstock



# LUNA BUG™

FLYING MODEL ROCKET KIT

Soars up to

**800** ft

**244** m

On an A3-4T Engine

Other engines you can use:

1/4A3-3T, 1/2A3-2T,  
1/2A3-4T, A10-3T



Length: 3.6 in.  
9.1 cm

Diameter: .54 in.  
14 mm

Recovery: Featherweight

06/01/19

EST0816



QTY: 1

PN 083428 (5-19)  
© 2019 Estes Industries, LLC.  
All rights reserved.

BEGINNER

INTERMEDIATE

ADVANCED

EXPERT

MASTER