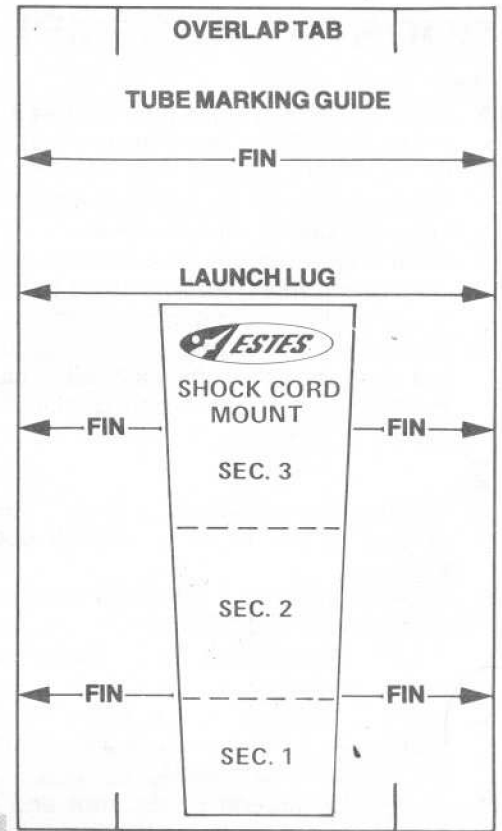
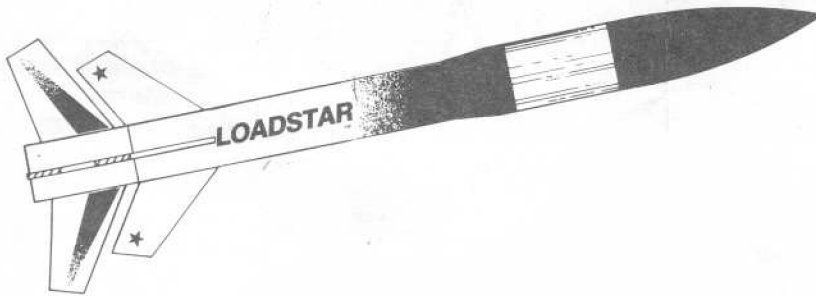




LOADSTAR™

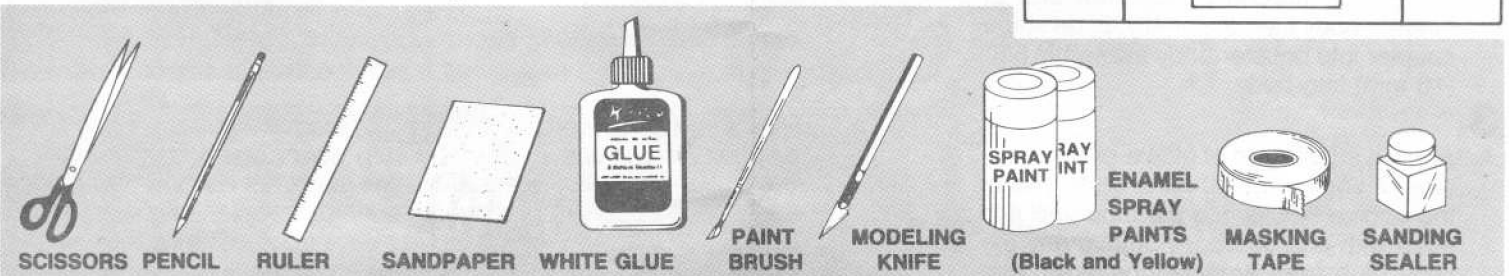
FLYING MODEL ROCKET #1760

ESTES INDUSTRIES, 1295 H STREET, PENROSE, CO 81240



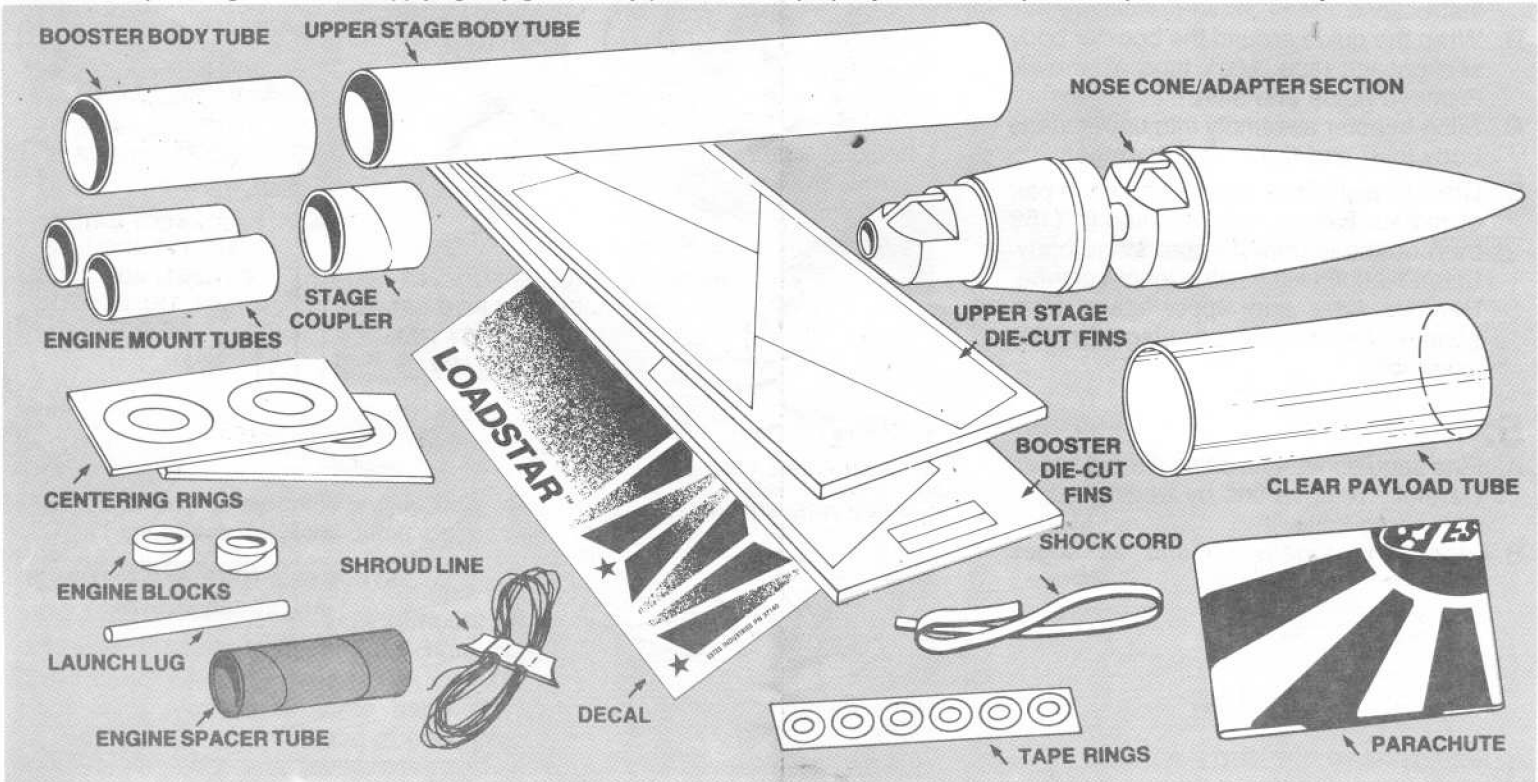
PARTS AND SUPPLIES

Locate the parts shown below and lay them out on the table in front of you. In addition to the parts included in the kit you will also need:



ASSEMBLY TIP

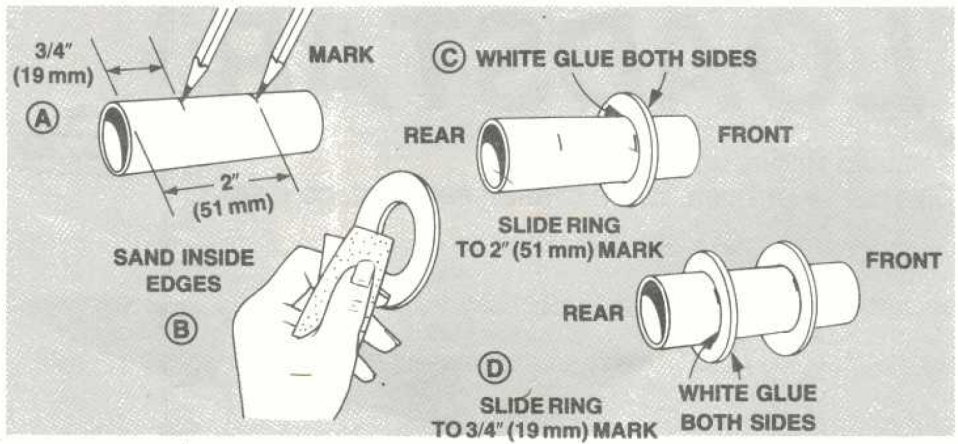
Read all instructions before beginning work on your model. Make sure you have all parts and supplies. Test-fit all parts together before applying any glue. If any parts don't fit properly, sand as required for precision assembly.



BOOSTER ASSEMBLY

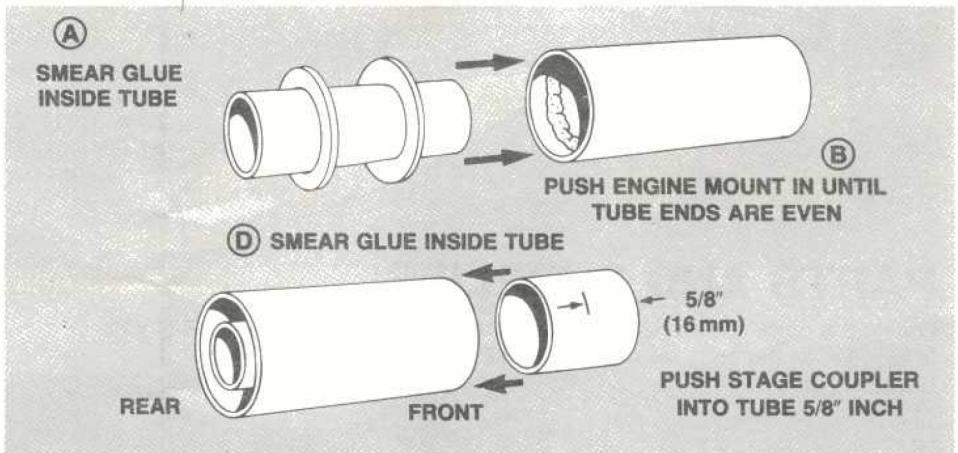
1.

- Mark one of the engine mount tubes $3/4"$ (19 mm) and $2"$ (51 mm) from one end.
- Remove the centering rings from one of the die-cut cards. Sand inside edges of rings if necessary for proper fit.
- Slide rings over end of tube and up to $2"$ (51 mm) mark. Apply a bead of glue to both sides of the ring/tube joint.
- Slide second ring onto tube up to $3/4"$ (19 mm) mark and apply a bead of glue to both sides of this ring/tube joint. Set assembly aside to dry.



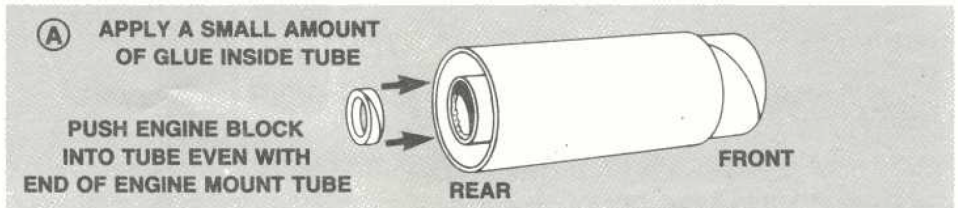
2.

- When engine mount is dry, apply a bead of glue around inside of booster body tube.
- Slide engine mount into body tube. Push forward until end of engine mount tube is even with end of body tube. Stand body upright and allow glue to dry.
- Using a piece of scrap balsa for an applicator, apply a bead of glue around the ring/body tube joints.
- Apply glue around inside front end of booster body tube assembly. Slide stage coupler into booster body assembly $5/8"$ (16 mm) into body.



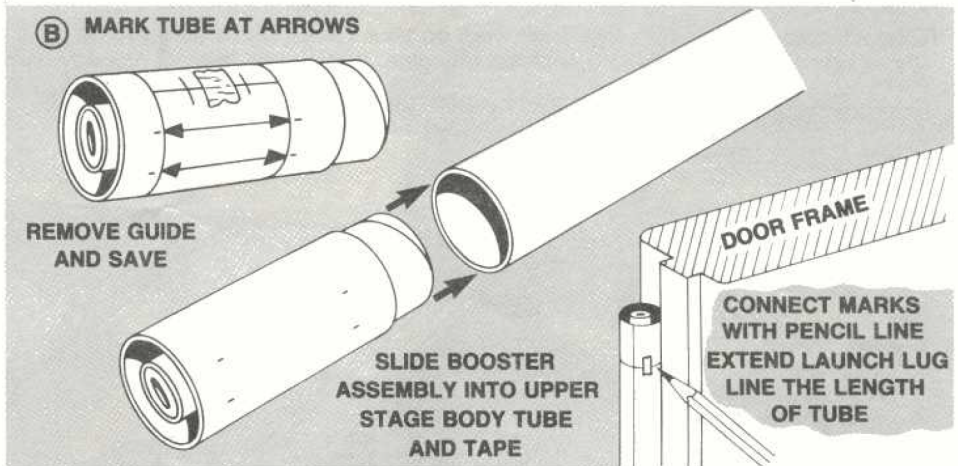
3.

- Apply a small bead of glue around inside rear of engine mount tube. Slide one of the engine blocks into the tube until it is even with end of tube. Remove any excess glue from around tube/block with scrap balsa.



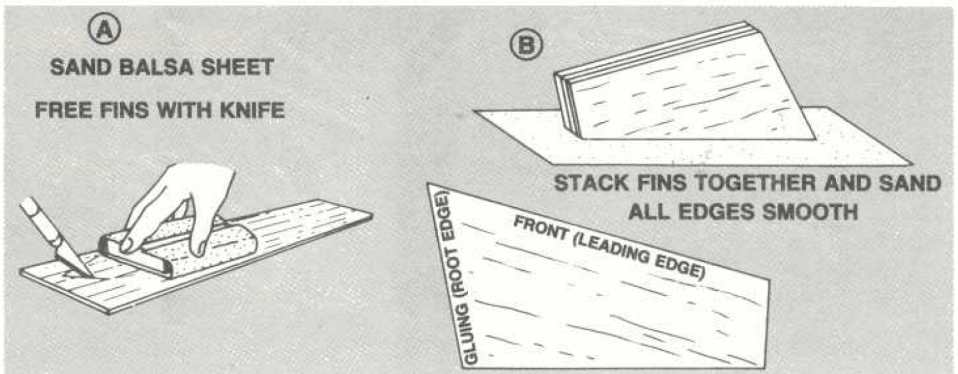
4.

- Cut out tube marking guide from front of instructions.
- Wrap the guide around the booster body section and tape. Mark tube at arrows. Remove guide and save.
- Slide booster assembly into upper stage body tube and tape tubes together.
- Draw straight lines connecting each pair of marks. Extend lines at least $6"$ (152 mm) up the length of upper stage body. Extend launch lug line the length of tube. Remove tape and upper stage from booster. Set aside upper stage for later assembly.



5.

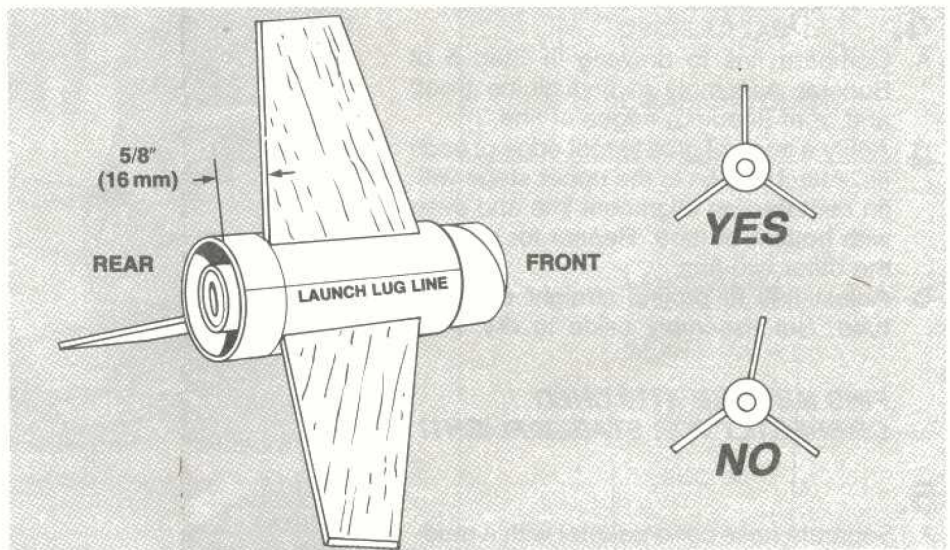
- Fine sand booster fin balsa die-cut sheet. Carefully remove fins by freeing edges with sharp knife.
- Stack fins together. Sand all edges smooth.



6.

- Compare fins to drawing in previous step, to find gluing (root) and front (leading) edges of fins.
- Apply a bead of glue to root edge of each fin. Attach the fin to the booster assembly with fin centered on alignment line and positioned $5/8"$ (16 mm) from end of tube. Repeat for each of the other two fins.
- Adjust fins to project straight out from tube. Set assembly aside to dry. Fins must be attached correctly for stable flight!

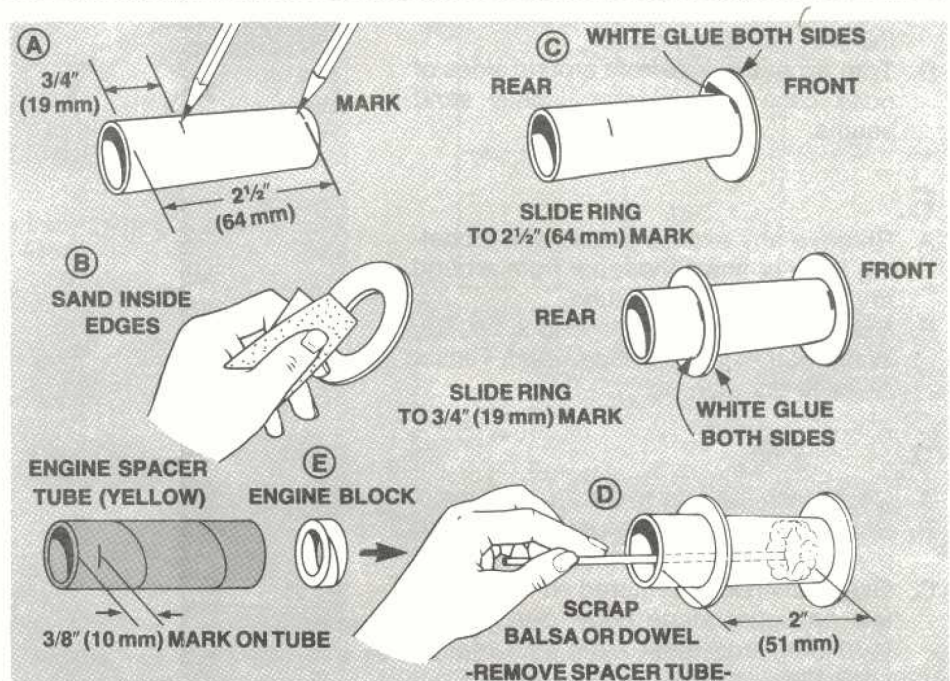
FINS MUST BE ATTACHED CORRECTLY FOR STABLE FLIGHT!



UPPER STAGE ASSEMBLY

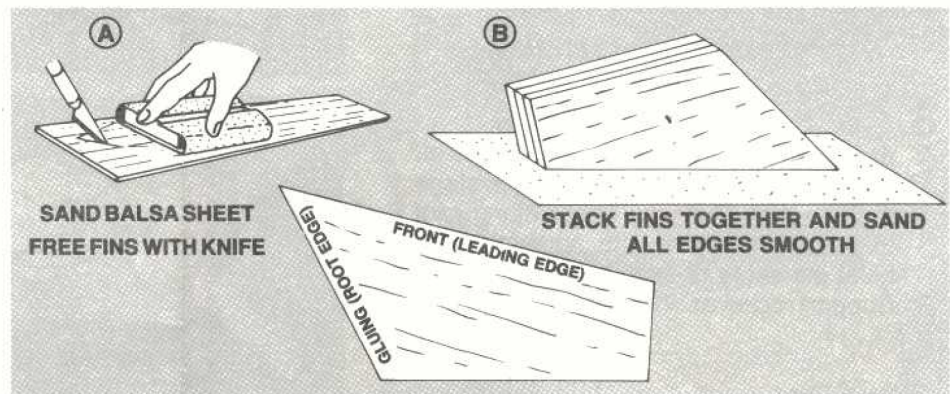
1.

- Mark remaining engine mount tube $3/4"$ (19 mm) and $2\frac{1}{2}"$ (64 mm) from one end.
- Remove the centering rings from upper stage die-cut card. Sand inside edges of rings if necessary for proper fit.
- Slide rings over end of tube up to $2\frac{1}{2}"$ (64 mm) and $3/4"$ (19 mm) marks. Apply a bead of glue to both sides of the ring/tube joints.
- Mark yellow engine spacer tube $3/8"$ (10 mm) from one end. Apply glue inside of tube about 2" (51 mm) from end of tube.
- Push engine block into tube until the mark on spacer tube is even with end of engine mount tube. Immediately remove spacer tube. Set assembly aside to dry.



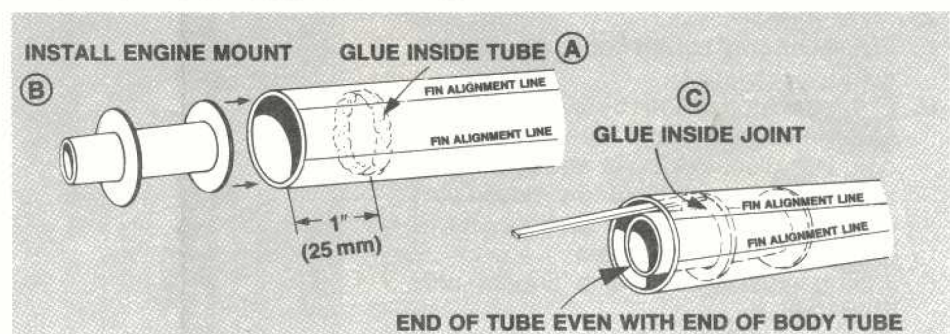
2.

- Fine sand upper stage balsa die-cut sheet. Carefully remove fins by freeing edges with sharp knife.
- Stack like fins together. Sand all edges smooth.



3.

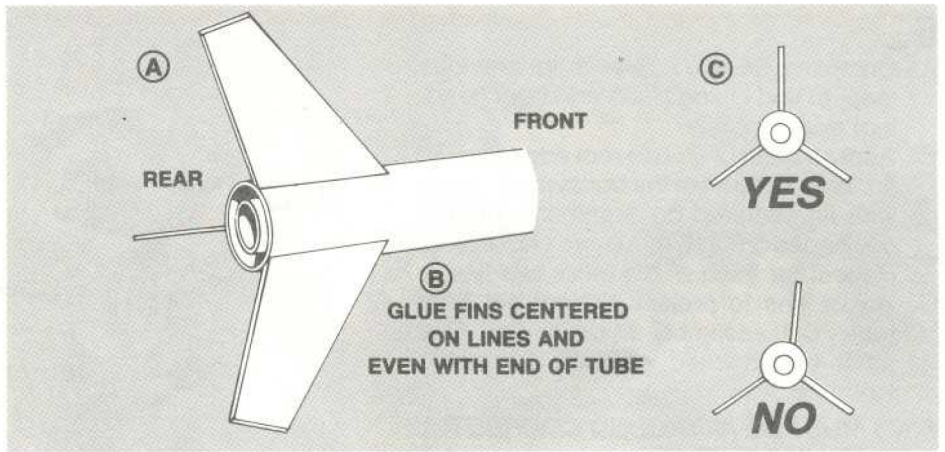
- When engine mount is dry, apply a bead of glue around inside of upper stage body tube.
- Slide engine mount into body tube. Push forward until end of engine mount tube is even with end of body tube. Stand body upright and allow glue to dry.
- Using a piece of scrap balsa for an applicator, apply a bead of glue around the ring/body tube joints.



4.

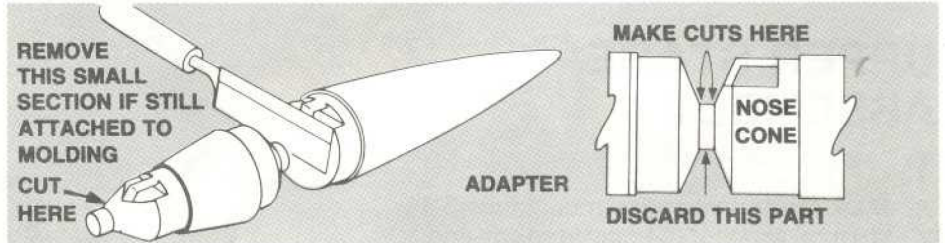
- Compare fins to drawing in Step 5 of Booster Assembly to find gluing (root) and front (leading) edges of fins.
- Apply a bead of glue to root edge of each fin. Attach the fin to the upper stage with fin centered on alignment line and even with bottom of tube. Repeat for each of the other two fins.
- Adjust fins to project straight out from tube. Set assembly aside to dry.

FINS MUST BE ATTACHED CORRECTLY FOR STABLE FLIGHT!



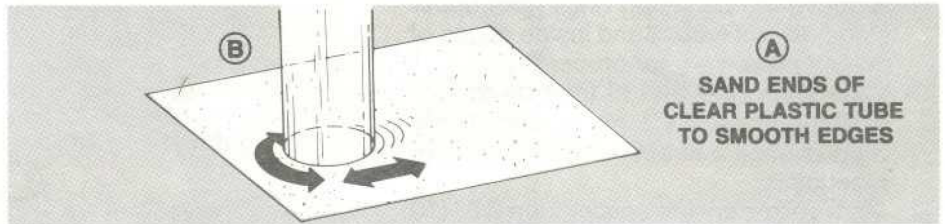
5.

- Separate nose cone/adapter with a modeler's saw. Use the grooves molded into the part as cutting guide.
- Trim excess plastic from around sides of nose cone and adapter. Lightly sand seams.



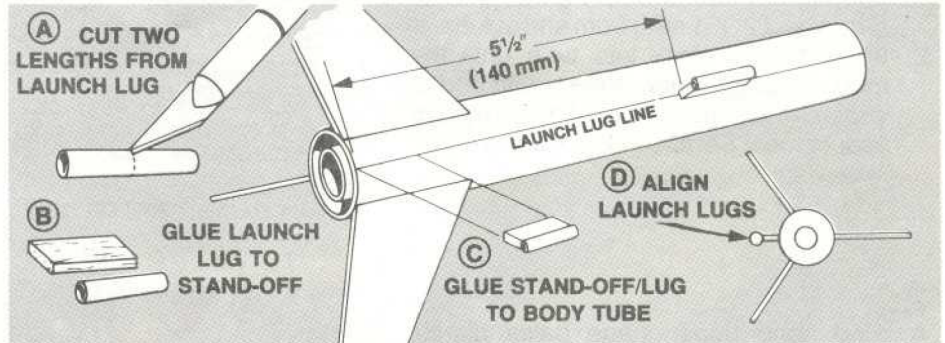
6.

- Remove any excess plastic with modeling knife or fine sandpaper from around ends of clear payload tube.
- Sand both ends of payload tube flat. Wash part in warm soapy water. Rinse. Allow to dry thoroughly.



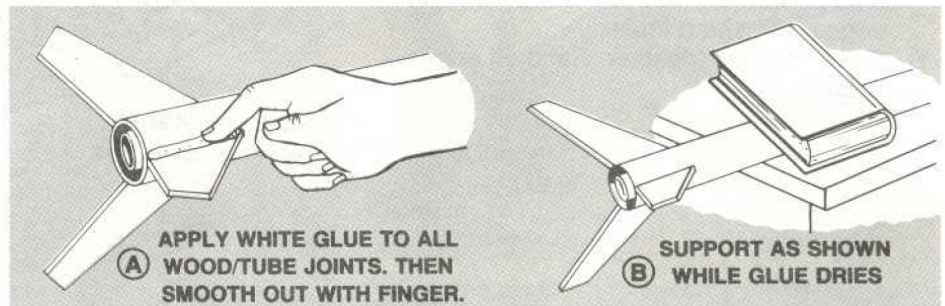
7.

- Cut launch lug into two equal lengths.
- Glue launch lugs centered on stand-off parts from die-cut balsa sheet. Let dry.
- Glue launch lugs centered on launch lug line on upper stage body, one at 5 1/2" (140 mm) and other even with rear of body tube.
- Check alignment of launch lugs.



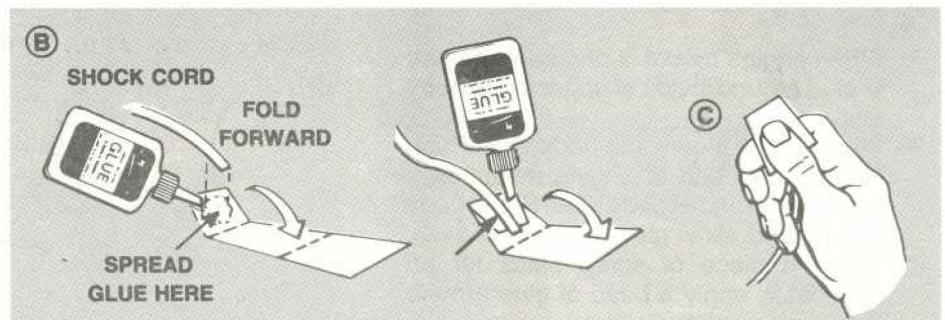
8.

- Apply a bead of glue to both sides of each fin/body tube joint on upper stage and booster. Pull your finger along joint to smooth the glue into an even fillet. Fillet the sides of each launch lug.
- Support rocket as shown until glue dries.



9.

- Cut shock cord mount from tube marking guide.
- Crease on dotted lines by folding. Spread glue on section 1 and lay end of shock cord into glue. Fold over and apply glue to back of first section and exposed part of section 2. Lay shock cord as shown and fold mount over again.
- Clamp unit together with fingers until glue sets.

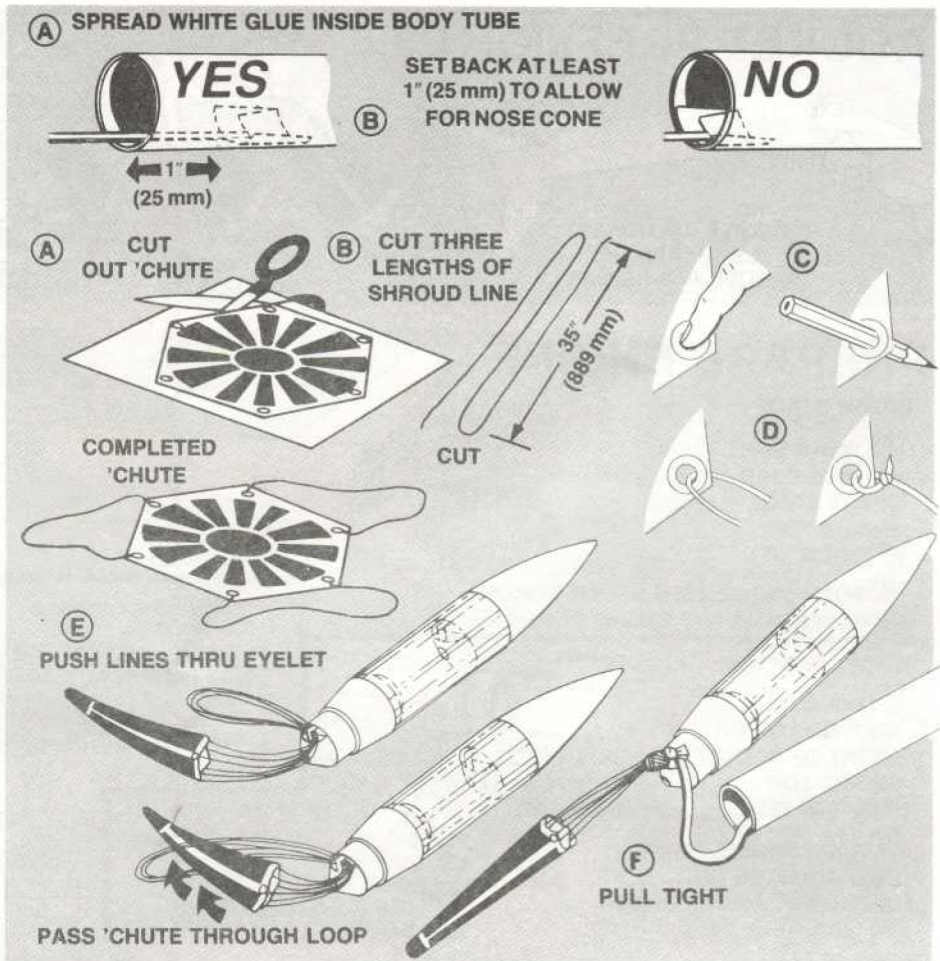


10.

- Apply glue to inside front of large body tube to cover an area no less than 1" (25 mm) to 2" (51 mm) from end. The glue area should be same size as shock cord mount.
- Press mount firmly into glue as shown.
- Hold until glue sets.

11.

- Cut out parachute on edge lines.
- Cut three 35" (889 mm) lengths of shroud line.
- Attach tape rings to top of parachute as shown. Press firmly into place. Punch hole through material with point of pencil.
- Pass shroud line through hole in parachute and tape disc. Tie lines together with a double knot.
- Assemble payload section, adapter and nose cone. Pass shroud line loops through eyelet on nose block. Pass parachute through loop ends and pull lines against the nose block.
- Tie free end of shock cord to nose block eyelet.

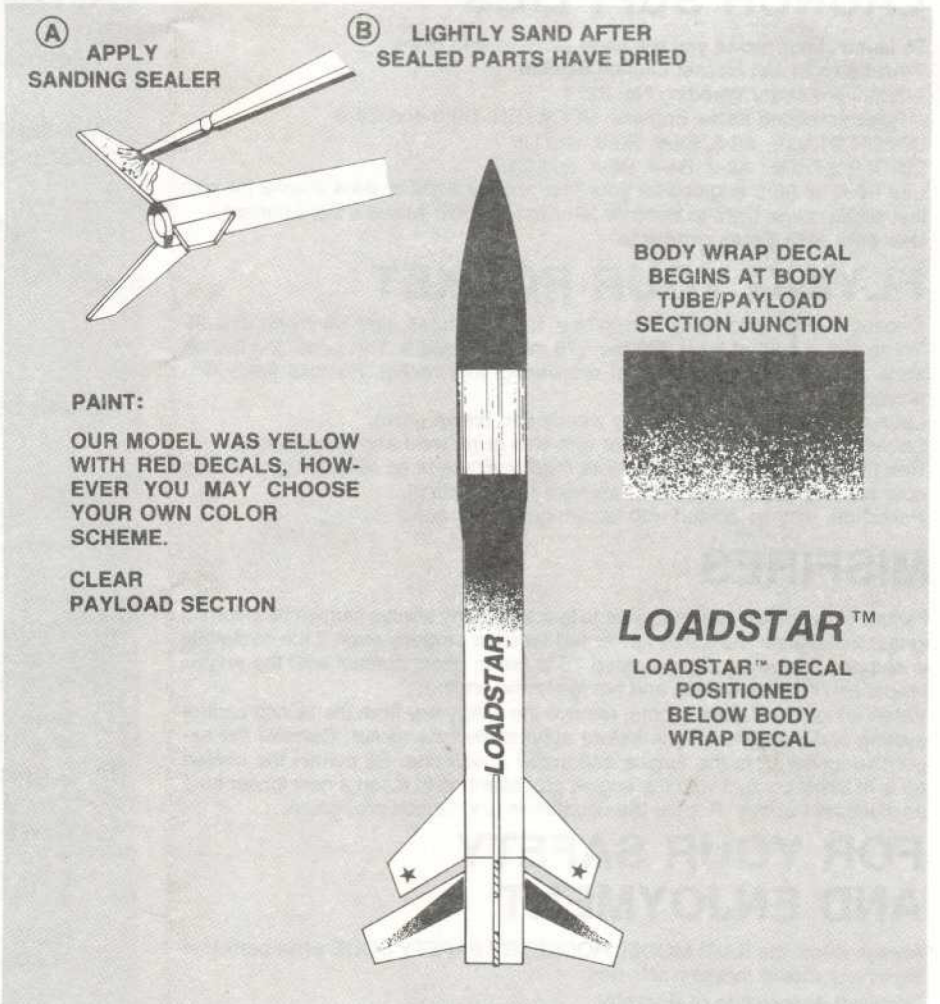


12.

- Apply sanding sealer to all wood parts with brush.
- When sealer is dry, lightly sand all sealed surfaces.
- Repeat sealing and sanding until wood grain is filled and smooth.

13.

- When sanding sealer and glue are completely dry, mask off clear payload section and paint nose cone.
- Follow instructions on spray can for best results.
- Paint booster and upper stage. Allow paint to dry thoroughly before applying decals.



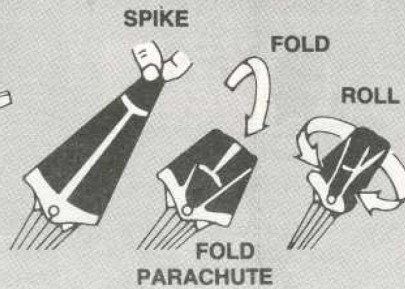
FINISHING YOUR ROCKET

Apply decals in the positions shown. Cut decals apart, trimming excess clear as close to detail as possible. Dip one decal in lukewarm water for 20 seconds and hold until it uncurls. Slip decal off backing sheet and onto model. Move decal into exact position. Carefully blot away excess water. Smooth out any wrinkles or air bubbles with a soft cloth. When decals are completely dry, spray a coat of clear gloss over model to protect the model's finish and decals.

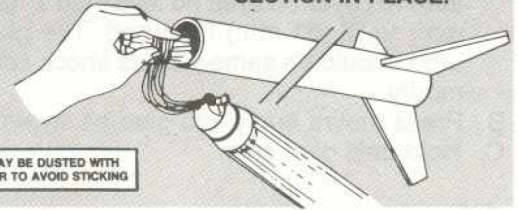
ROCKET PREFLIGHT



CRUMPLE AND INSERT
3 SQUARES OF
RECOVERY WADDING



WRAP LINES LOOSELY AROUND 'CHUTE. INSERT
PARACHUTE IN ROCKET. INSTALL PAYLOAD
SECTION IN PLACE.



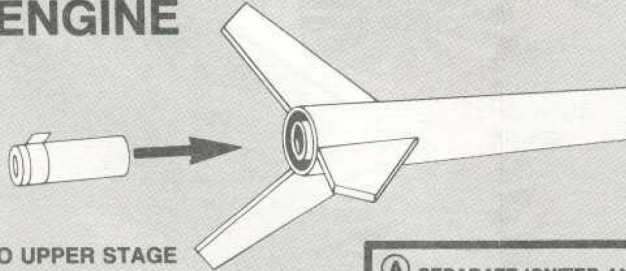
PARACHUTE MAY BE DUSTED WITH
TALCUM POWDER TO AVOID STICKING

PREPARE ENGINE

UPPER STAGE

(A) WRAP TAPE
AROUND REAR OF
UPPER STAGE
ENGINE FOR
FRICTION FIT

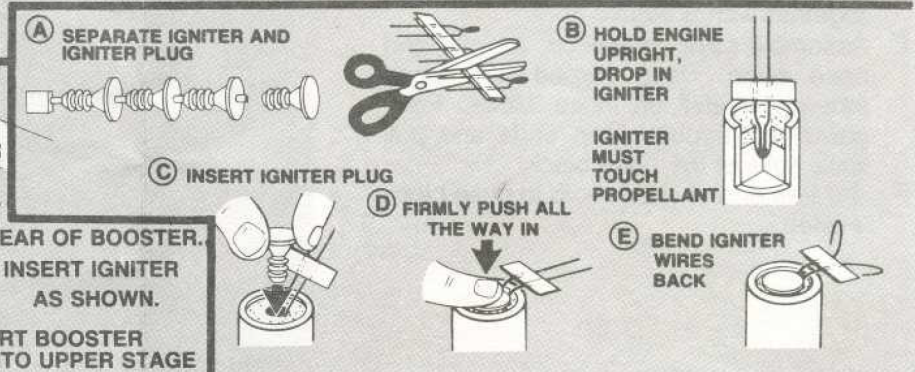
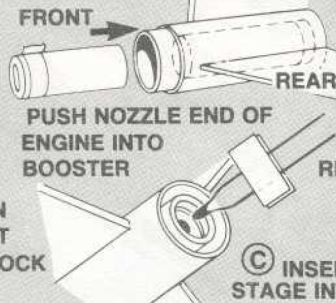
(B) PUSH ENGINE INTO UPPER STAGE
UNTIL IT IS AGAINST ENGINE BLOCK



BOOSTER STAGE

(A) WRAP TAPE
AROUND TOP OR
FRONT OF BOOSTER
ENGINE FOR
FRICTION FIT

(B) PUSH ENGINE DOWN
INTO BOOSTER UNTIL IT
IS AGAINST ENGINE BLOCK



SINGLE STAGE FLIGHT:

- (A)** FOLLOW BOOSTER STAGE ENGINE PREPARATION BUT USE RECOMMENDED SINGLE STAGE ENGINE.
- (B)** PUSH SINGLE STAGE ENGINE INTO UPPER STAGE UNTIL IT IS AGAINST ENGINE BLOCK.

LAUNCH SUPPLIES

To launch your rocket you will need the following items:

- An Estes Model Rocket Launch System
- Estes Recovery Wadding No. 2274
- Recommended Estes Engines: BOOSTER: B6-0 and C6-0
- UPPER STAGE: A8-5, B4-6, B6-6, and C6-7
- SINGLE STAGE: A8-3, B4-4, B6-4, and C6-5
- Use B6-0 or A8-5 engines for your first booster flight or B4-4 engine for your first single stage flight to become familiar with your rocket's flight pattern.
- Use only with Estes products

FLYING YOUR ROCKET

Choose a large field away from power lines, tall trees, and low flying aircraft. Try to find a field at least 250 feet (76 meters) square. The larger the launch area, the better your chance of recovering your rocket. Football fields and playgrounds are great.

Launch area must be free of dry weeds and brown grass. Launch only during calm weather with little or no wind and good visibility. Don't leave parachute packed more than a minute or so before launch during cold weather [colder than 40° Fahrenheit (4° Celsius)]. Parachute may be dusted with talcum powder to avoid sticking.

MISFIRES

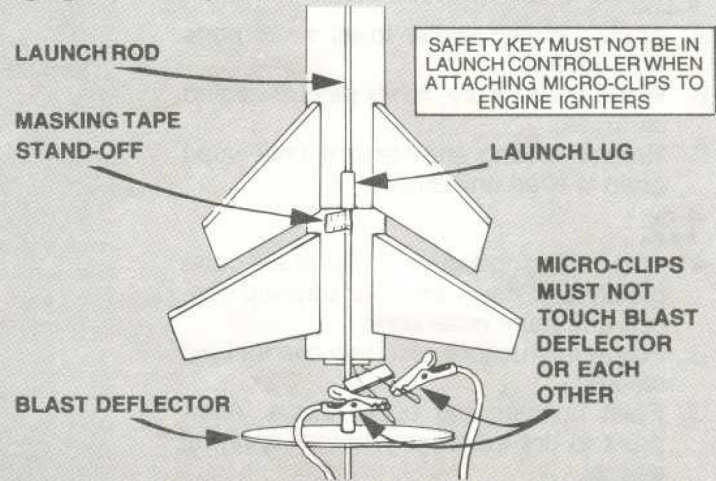
Failure of the model rocket engine to ignite is nearly always caused by incorrect igniter installation. An Estes igniter will function properly even if the coated tip is chipped. However, if the coated tip is not in direct contact with the engine propellant, it will only heat and not ignite the engine.

When an ignition failure occurs, remove the safety key from the launch control system and wait one minute before approaching the rocket. Remove the expended igniter from the engine and install a new one. Be certain the coated tip is in direct contact with the engine propellant, then insert a new igniter plug as illustrated above. Repeat the countdown and launch procedure.

FOR YOUR SAFETY AND ENJOYMENT

Always follow the NAR* MODEL ROCKETRY SAFETY CODE while participating in any model rocketry activities.
*National Association of Rocketry

COUNTDOWN AND LAUNCH



SAFETY KEY MUST NOT BE IN
LAUNCH CONTROLLER WHEN
ATTACHING MICRO-CLIPS TO
ENGINE IGNITERS

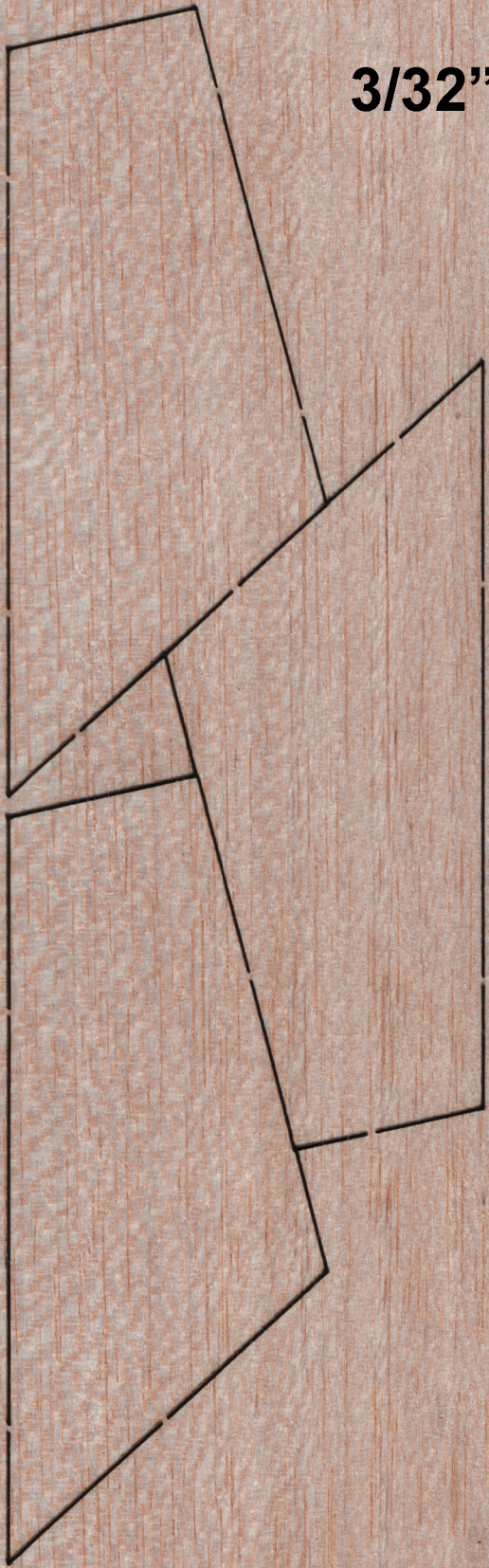
- 10 BE CERTAIN SAFETY KEY IS NOT IN LAUNCH CONTROLLER.
- 9 Remove safety cap and slide launch lug over launch rod to place rocket on launch pad. Make sure the rocket slides freely on the launch rod.
- 8 Attach micro-clips to the igniter wires. Arrange the clips so they do not touch each other or the metal blast deflector. Attach clips as close to protective tape on igniter as possible.
- 7 Move back from your rocket as far as launch wire will permit (at least 15 feet - 5 meters).
- 6 INSERT SAFETY KEY to arm the launch controller.

Give audible countdown 5...4...3...2...1

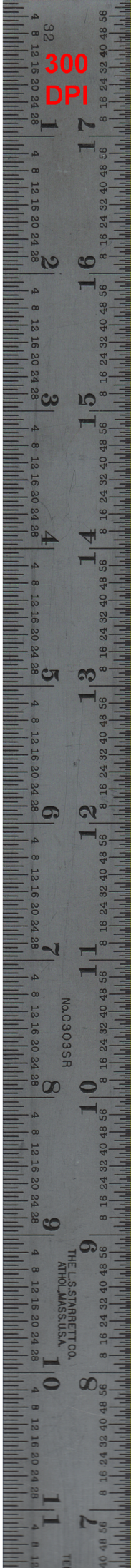
LAUNCH!! PUSH AND HOLD LAUNCH
BUTTON UNTIL ENGINE IGNITES

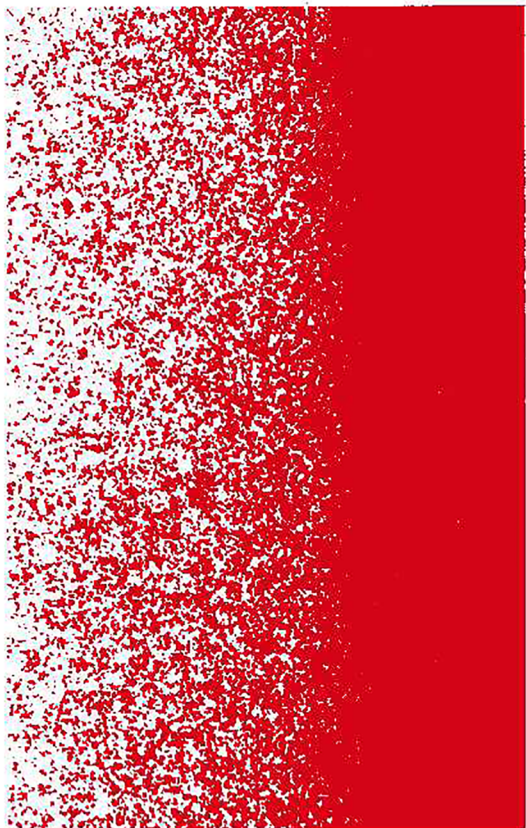
REMOVE SAFETY KEY FROM LAUNCH CONTROLLER. RE-
PLACE SAFETY KEY AND SAFETY CAP ON LAUNCH ROD.

3/32"

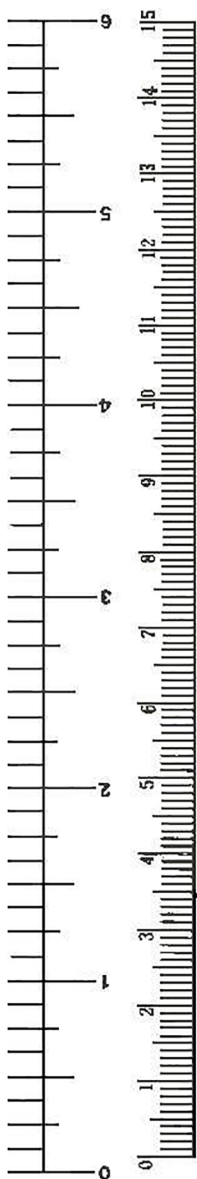
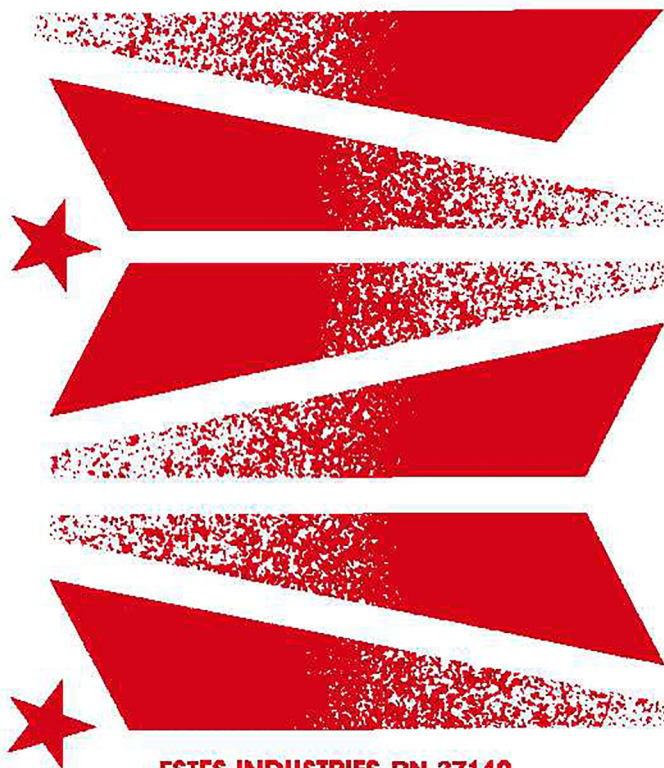


3/32"





LOADSTAR™



ESTES INDUSTRIES PN 37140

PARTS LIST KIT NO. 1760 - Loadstar								
Quantity	Description	Type	Number	Detail1	Detail2	Detail3	Detail4	Comment
1	PAPER BODY TUBE	BT-55IJ	30384	9" long	1.283" ID	1.325" OD	0.021" wall	Glassine
1	PAPER BODY TUBE	BT-55(3.25)	30392	3.25" long	1.283" ID	1.325" OD	0.021" wall	Glassine
2	PAPER BODY TUBE	BT-20J	30326-1	2.75" long	0.710" ID	0.736" OD	0.013" wall	Blue
1	STAGE COUPLER	JT-55C	30175	1.25" ID	1.28" OD	1.25" long	fits BT-55	Red
1	BALSA FIN STOCK	*BFS-30	3168	3" wide	9" long	3/32" thick	0.09375	Scan
1	BALSA FIN STOCK	*BFS-30L	3170	3" wide	12" long	3/32" thick	0.09375	Scan
1	PLASTIC NOSE CONE	PNC-60NA	72057	4.75" long	1.627" dia.	.75" shoulder	With TA-5560 attached	Blow molded
1	PLASTIC ADAPTER	TA-5560(P)	72057	2.75" long	1.25" taper	0.5" front	1" back	BT-55 to BT-60
2	PAPER RING ADAPTER	RA-2055	30125	0.738" ID	1.27" OD	.05" thick	Set of 2	One ring notched.
2	CENTERING RINGS	AR-520	30162	.69" OD	.542" ID	0.25" long	BT-5 in BT-20	Green
1	LAUNCH LUG	LL-2B	38178	5/32" ID	1/8" rod	2-3/8" long		Mylar
1	SPACER TUBE (18 mm)	N/A	35003	2.75" long	.708" OD	0.65" ID	0.01" wall	Yellow
1	Decal	KD-1760	*37140	4" wide	9" long	Red	Waterslide	Scan
1	PLASTIC BODY TUBE	PST-60R	30614	5" long	1.595" ID	1.637" OD	0.021" wall	
1	Shock Cord	SC-1B	85734	1/8" x 12"				Rubber
1	Shroud Line	SLT-108	38239	108"	.020" diamet	Twisted cotton		
1	Tape Disc	TD-3F	38406	1/2" dia.	Paper	Self-Stick		Set of 6
1	Parachute	PK-18	85566	18" dia.	18" x 6 Shro	LDPE plastic	Blu/Wht	
*Die-Cut Upper Stage Balsa Sheet #32751								
*Die-Cut Booster Balsa Sheet #32752								
*Same number for Loadstar and Loadstar II but decals are different.								

LOADSTAR™

PLUMBER MODEL, MODEL # 1000
SERIES NUMBER 1000, 1000 & 1000, 1000, 1000, 1000



PARTS AND SUPPLIES

Learn how to assemble the rocket and its parts and how to use the rocket in the air.



ASSEMBLY TIP

Start at the top of the rocket and work your way down. Make sure you have all the parts and supplies you need before you start.



ESTES
EDUCATOR.

ESTES

CLASSROOM BULK PACK

10+

Adult supervision under 12.
Membres de 12 requièrent
supervision de un adulto.
Sous surveillance d'un
adulte pour les enfants de
moins de 12 ans.

12 LOADSTAR™ II ROCKETS COHETS FUUSEES

Ball Launch
Boule de Lancement
Boule de Lancement ②

Length
Longueur: 23.3 in
59.2 cm

Diameter
Diamètre: 1.64 in
42 mm

Estimated Weight
Poids Estimé: 2.8 oz
79.4 g

Recovery Parachute
Récupération Parachute



1000 ft
305 m

Recommended Engine
Moteurs Recommandés

Single Stage / Une Étage / Un seul étage

66-67, 86-4, 86-5

Two Stage / Deux Étages / Deux étages

86-67, 86-6

Cover / Three Separators / Trois séparateurs

86-7, 86-4, 86-4, 86-5, 86-7

• First Flight
• Premier Vols
• premier vol



Needed for loading

• White glue (optional), tooth picks, paint
and brushes for stripes (if)

Required for launching

• Estes Launch Pad (1000), Launch Controller
(1000), Estes Model Rocket Engine, Igniter
(1000), and Recovery Wadding (1000) - sold
separately. Recommended Engine Ball Pack
P-104 includes 20-100-01 engine, igniter and
recovery wadding.

Parts provided, no assembly

• Pre-painted cones, cone-to-jacket, nose
cap assembly, skirts (set the cone on prior to the
launch).

Parts to assemble, no assembly

• La jarretière de lancement de Estes (1000),
le contrôleur de lancement (1000), les
moteurs pour les fusées de cohètes de Estes,
les séparateurs (1000), le garnissage de
récupération (1000), un cerceau par cohète,
les séparateurs de corps de cohètes P-104 et
une boîte incluse (20-100-01, moteur et
garnissage de récupération).

Accessories & the construction

• Coller la pointe, les parties, moteur de
lancement, peinture (sur les fusées pour le
lancement).

Matériel pour le lancement

• Boîte de lancement Estes (1000), contrôleur
de lancement (1000), moteur de cohète
Estes (1000), séparateurs
(1000), et garnissage de récupération
(1000) - vendus séparément. Recommandé
Moteurs pour moteurs P-104, composé
de (20-100-01, des moteurs et de
garnissage de récupération).

TO LAUNCH ROCKETS YOU NEED

- Any Estes Launch Set
- Recommended Estes Educator Engine Bulk Pack

FOR LAUNCHING COHETS VOUS BESOINER

- Un jeu de lancement de Estes
- Un paquet de moteurs de moteurs pour assembler recommandé par Estes

POUR LANCER DES FUUSEES, IL VOUS FAUT:

- Un ensemble de lancement Estes
- Un paquet d'ensemble Educator recommandé de moteurs Estes

ESTES
rockets
ARE

IMPORTANT INFORMATION:
Instructions, safety and special care must
be read. Read assembly manual. Always
launch under supervision. Do not launch
without permission. Do not launch in
flame which constitutes a danger to life and
limb.

IMPORTANT INFORMATION:
Lire les instructions, les précautions de
sécurité et les soins particuliers.
Lecture obligatoire de la notice.
Lancement sous surveillance. Ne pas
lancer sans autorisation. Ne pas lancer
dans une flamme qui constitue un danger
pour la vie et les membres.

IMPORTANT INFORMATION:
Las instrucciones, las precauciones de
seguridad y los cuidados especiales
deben leerse con atención. Siempre
lanzar bajo supervisión. No lanzar
sin autorización. No lanzar en
flama que constituya un peligro para
la vida o los miembros.

QTY/CANT/QTÉ : 12