



Estes-Cox Corp.  
1295 H Street, PO Box 227  
Penrose, CO 81240-0227  
Printed in Guangdong, China

# QCC EXPLORER™

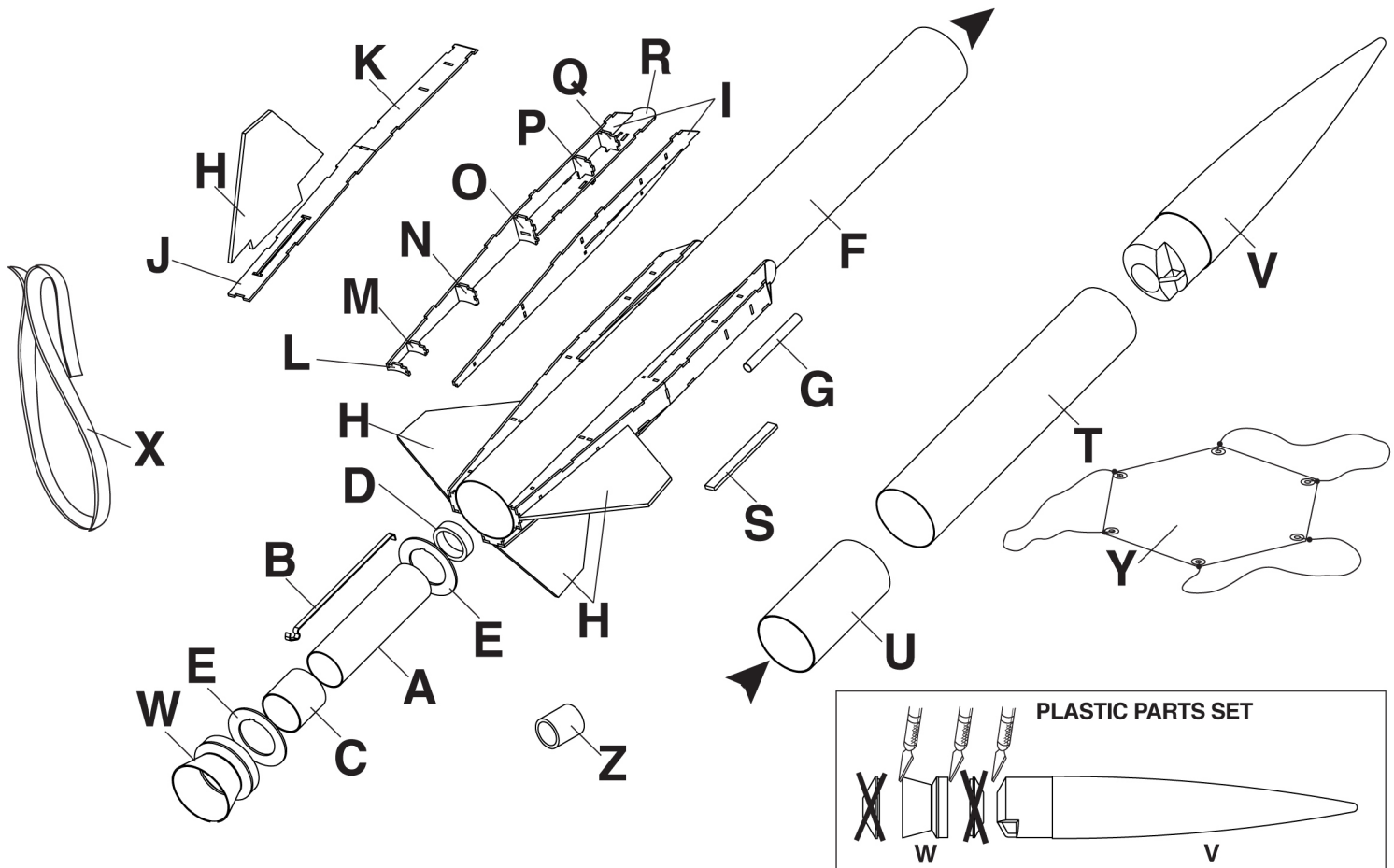
#3221

## FLYING MODEL ROCKET KIT INSTRUCTIONS

KEEP FOR FUTURE REFERENCE



**ASSEMBLY TIP:** Read all instructions, make sure you have all parts and supplies and test fit all parts together before applying glue. If parts don't fit properly, sand as necessary for precision assembly.



Part	Qty	Description	Part Number
A	1	Engine Mount Tube <b>BT-50</b>	031320
B	1	Engine Hook	035022
C	1	Engine Holder Ring	030160
D	1	Green Engine Block	030164-2
E	2	Laser Cut Centering Ring Set	030119
F	1	Lower Body Tube <b>BT-60 18"</b>	030396
G	1	Launch Lug	038166
H	4	Laser Cut Balsa Fins <b>1/8" Thick</b>	066359
		Laser Cut Balsa Sheet includes:	066358
I-R	4	Balsa Pieces <b>3/32" Thick</b>	

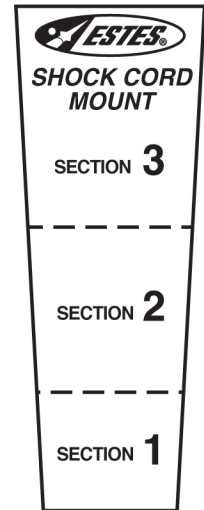
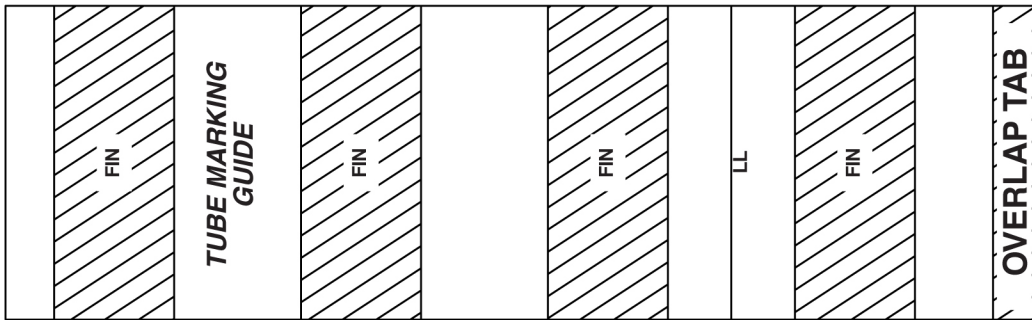
Part	Qty	Description	Part Number
S	1	Fin Spacer Tool	066359
T	1	Upper Body Tube <b>BT-60 8"</b>	030487
U	1	Red Tube Coupler	031777
		Plastic Parts set includes:	072665
V	1	Nose Cone <b>8"</b>	
W	1	Tail Cone	
X	1	Shock Cord	038370
Y	1	Parachute <b>18"</b>	035802
	1	Waterslide Decal (not shown)	066360
Z	1	Orange E to D Engine Spacer	035005

### SUPPLIES

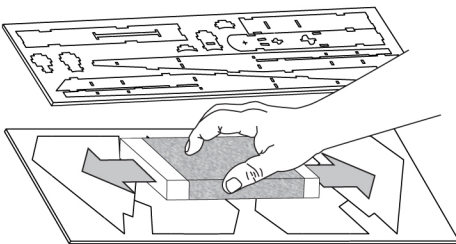
In addition to the parts included in the kit you will also need:



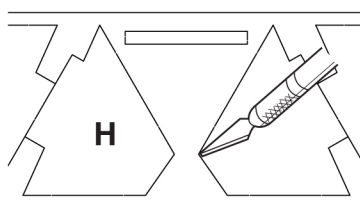
# TUBE MARKING GUIDE (Make a copy if you want to keep instructions.)



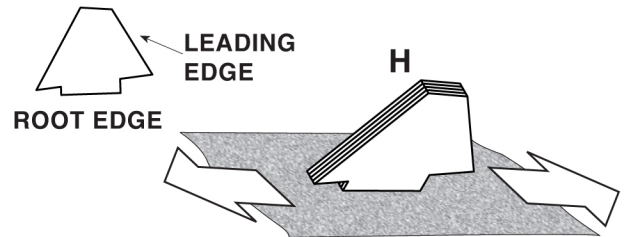
## FIN PREPARATION



1.

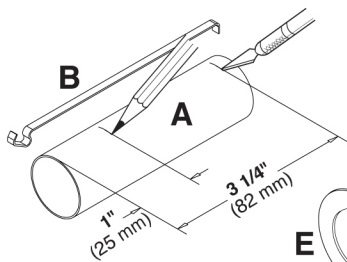


2.

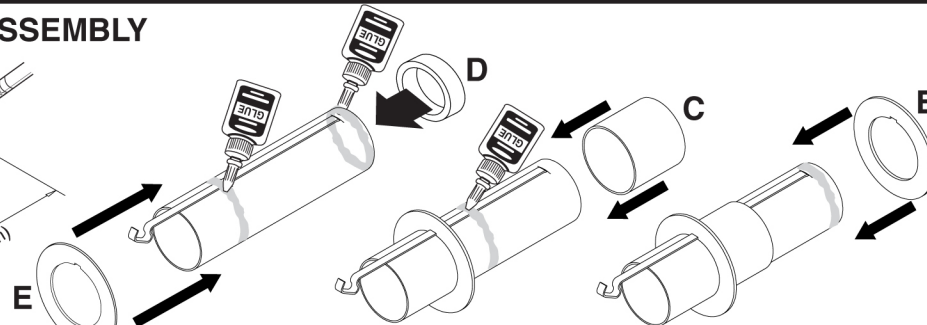


3. Stack together. Sand edges smooth. Round leading edges. **Do not round root edges.**

## ENGINE MOUNT ASSEMBLY



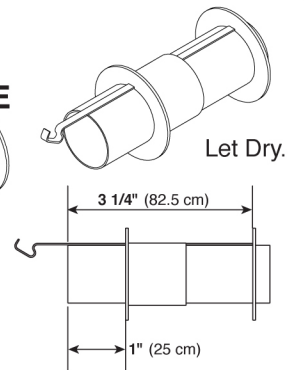
1.



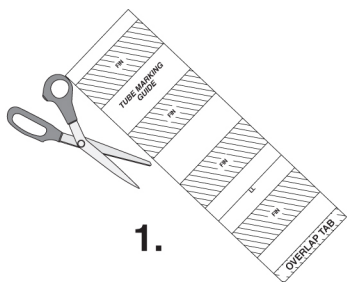
2.

3.

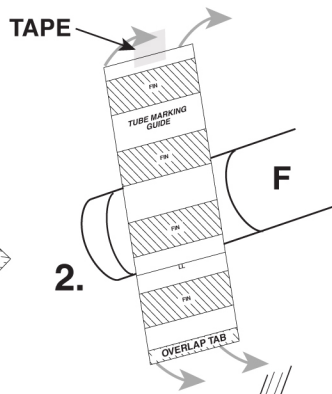
4.



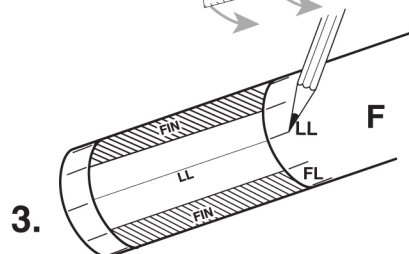
## TUBE MARKING



1.

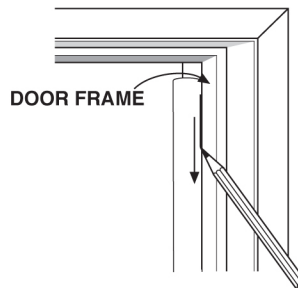


2.



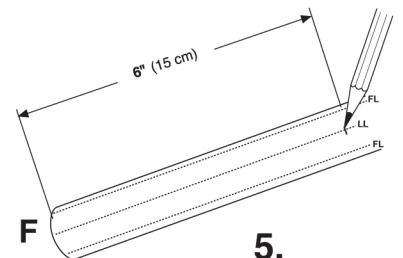
3.

Mark all lines.



4.

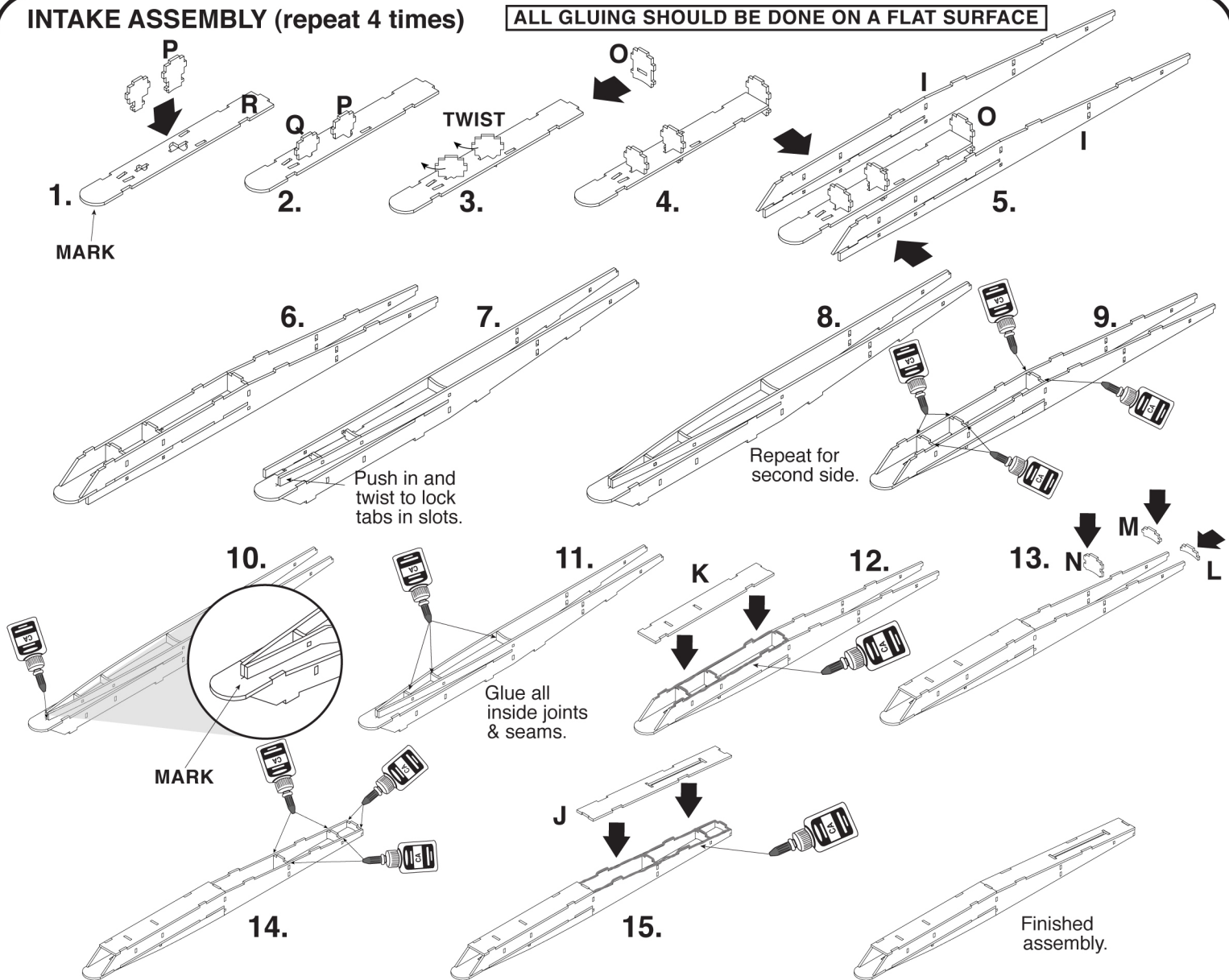
Remove guide. Using door frame as a straight edge, extend all lines entire length of F.



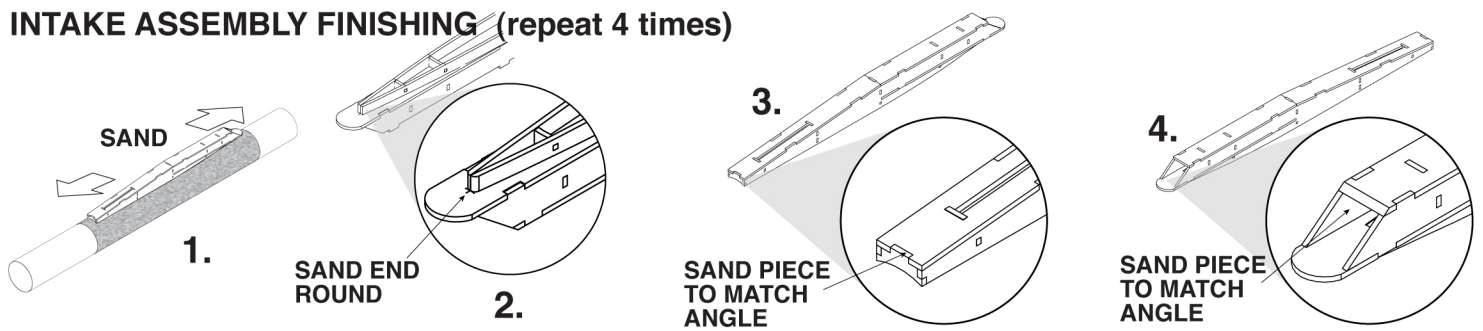
5.

### INTAKE ASSEMBLY (repeat 4 times)

ALL GLUING SHOULD BE DONE ON A FLAT SURFACE

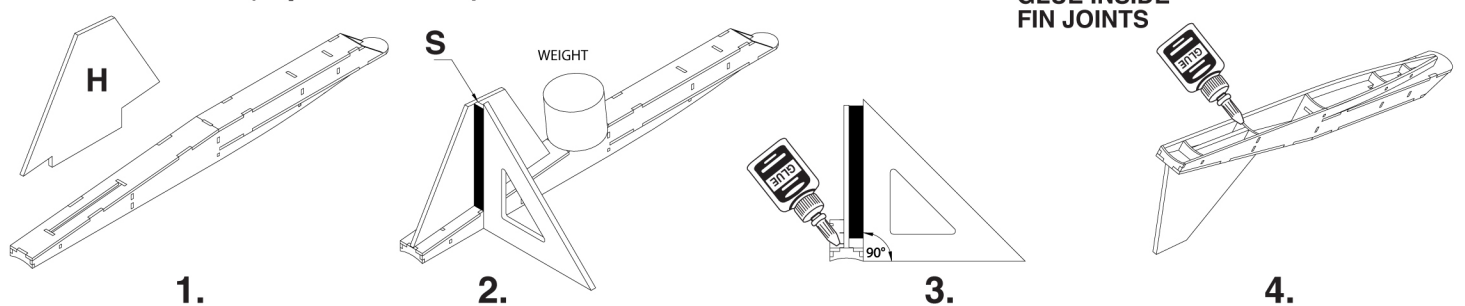


### INTAKE ASSEMBLY FINISHING (repeat 4 times)

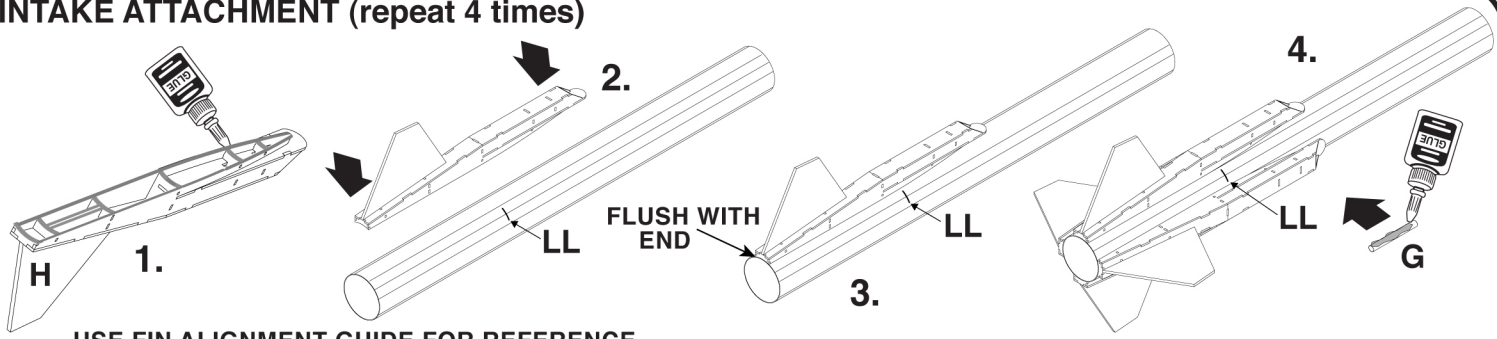


### FIN ASSEMBLY (repeat 4 times)

GLUE INSIDE FIN JOINTS

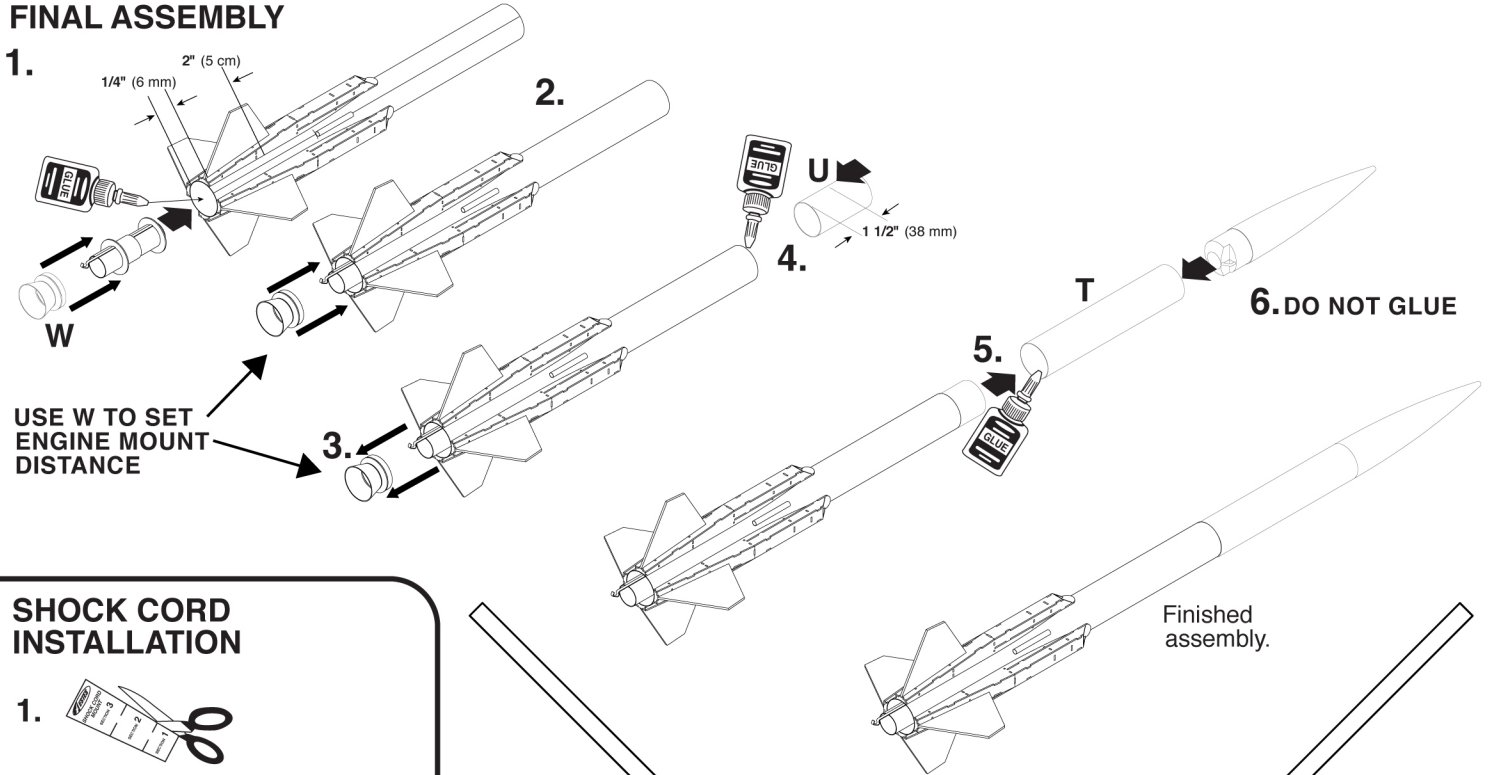


## INTAKE ATTACHMENT (repeat 4 times)

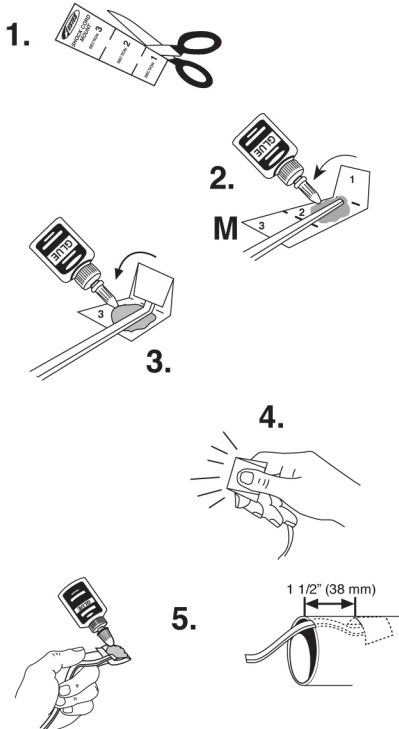


USE FIN ALIGNMENT GUIDE FOR REFERENCE

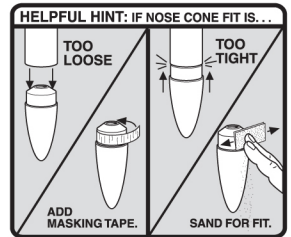
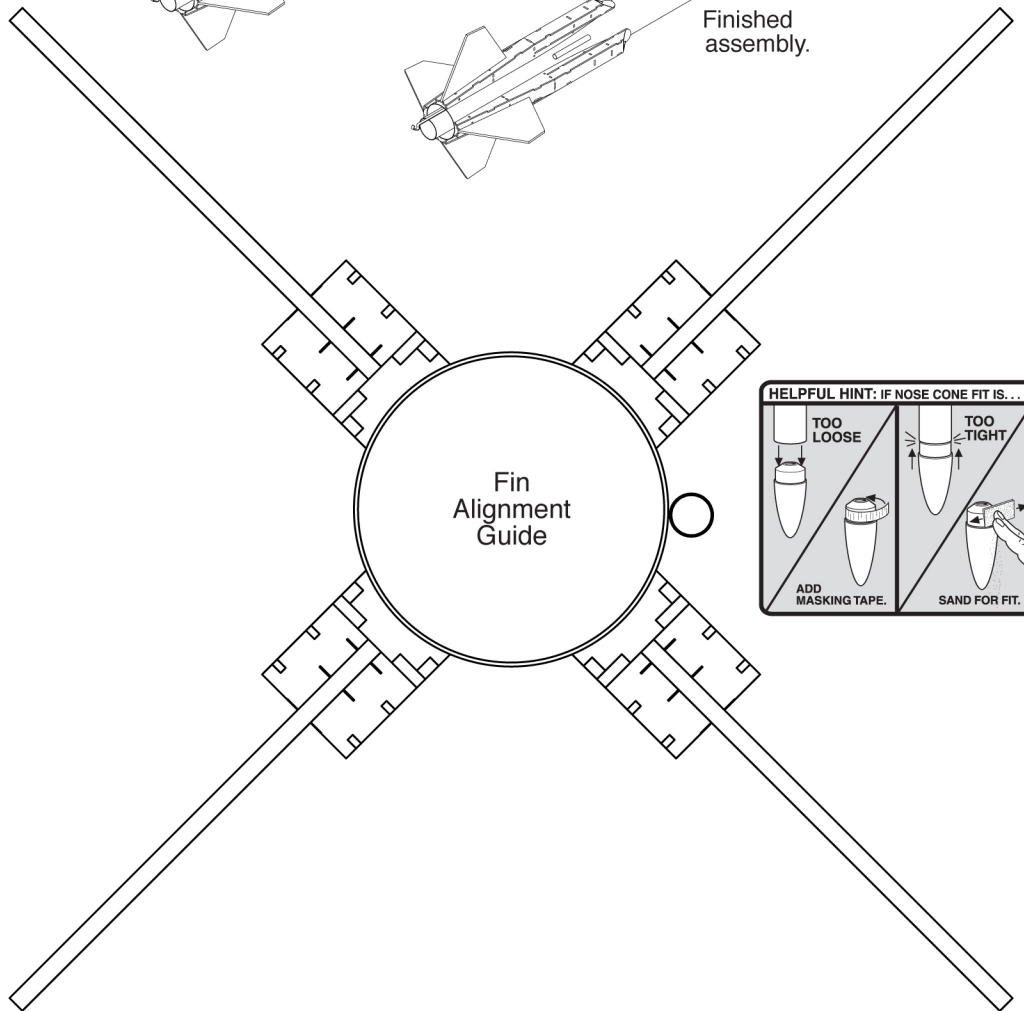
## FINAL ASSEMBLY



## SHOCK CORD INSTALLATION



Hold until glue sets. Let dry.

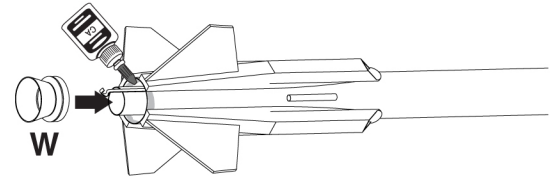


## ROCKET FINISHING

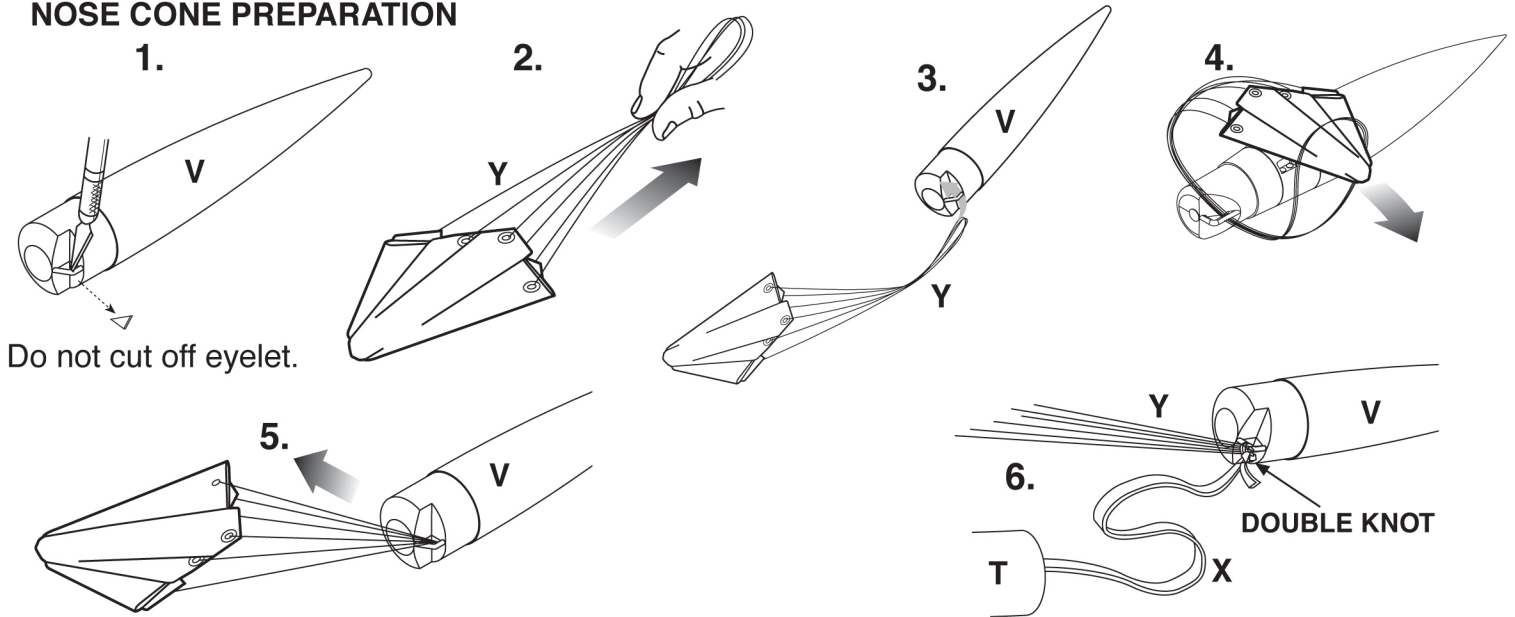
NOTE: We have found Testors One Coat Lacquer, Testors Model Master spray paints and Testors Gloss Lacquer to be excellent for providing a long lasting and durable finish on your rocket. Always be sure to spray your models outside or in a well ventilated area.

### STEPS FOR A QUALITY FINISH:

1. Insert shock cord into body tube and hold in place with paper.
2. Lightly sand rocket with fine sandpaper.
3. Apply glue fillets to all glued areas.
  - a. Let dry overnight.
4. Use a stick inserted into the engine tube end of the rocket for painting.
5. Hold nose cone by eyelet for painting. Cover shoulder with masking tape.
6. Apply 2 light coats of white primer to rocket body and nose cone, lightly sanding with fine sandpaper between coats.
  - a. Let primer dry between coats.
7. Spray paint entire rocket white.
  - a. Let dry overnight.
8. Spray paint nose cone red.
  - a. Let dry overnight.
9. Mask off bottom of rocket, leaving upper 8" (20.3 cm) exposed. Spray paint gray.
  - a. Let dry overnight.
10. Spray paint W black.
  - a. Let dry overnight.
11. Glue W in place with CA glue.
12. Apply waterslide decals where shown.
  - a. Cut decals to be applied from decal sheet, trimming close to the decal edge.
  - b. Place one decal at a time in bowl of warm water until decal begins to curl.
  - c. Remove decal, position in place and slide decal off of backing material and onto the model as close to final position as possible.
  - d. Gently blot excess water with a clean paper towel. Allow decals to set overnight.
  - e. Apply protective clear coat, optional. This will provide added protection and shine to your QCC Explorer™ rocket!

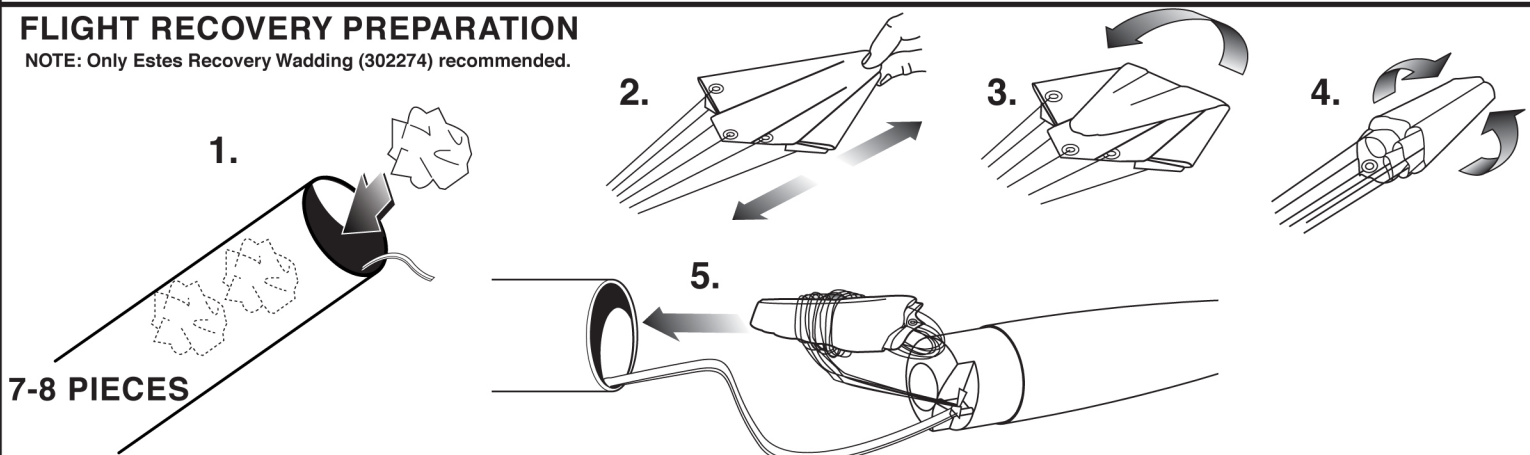


## NOSE CONE PREPARATION



## FLIGHT RECOVERY PREPARATION

NOTE: Only Estes Recovery Wadding (302274) recommended.

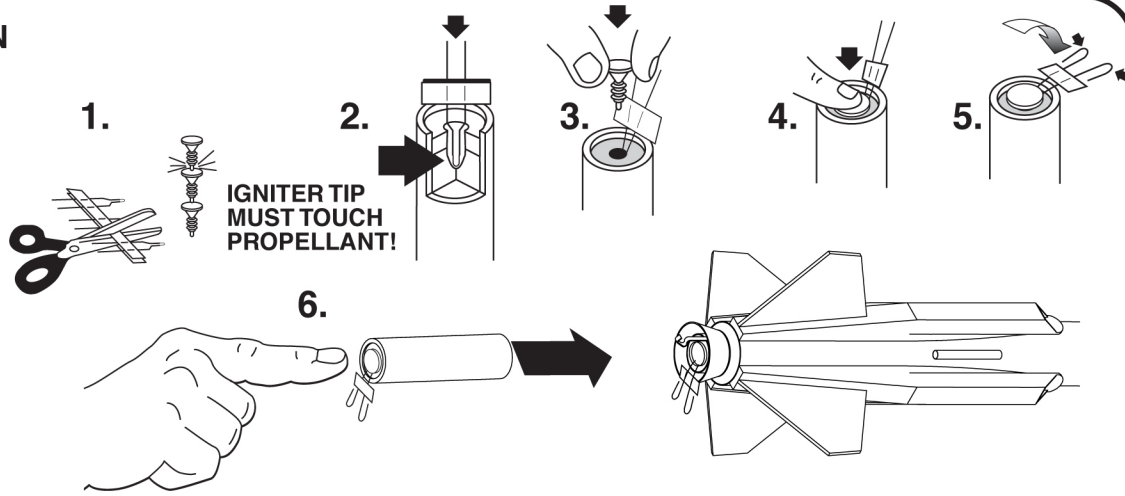


NOTE: Recovery wadding and parachute must slide easily into body tube. If too tight, remove and redo.

# ENGINE PREPARATION

## ⚠ WARNING: FLAMMABLE

To avoid serious injury, read instructions & NAR Safety Code included with engines. **PREPARE ENGINE ONLY WHEN YOU ARE OUTSIDE AT THE LAUNCH SITE PREPARING TO LAUNCH!** If you do not use your prepared engine, remove the igniter before storing engine.



# COUNTDOWN AND LAUNCH

## IMPORTANT:

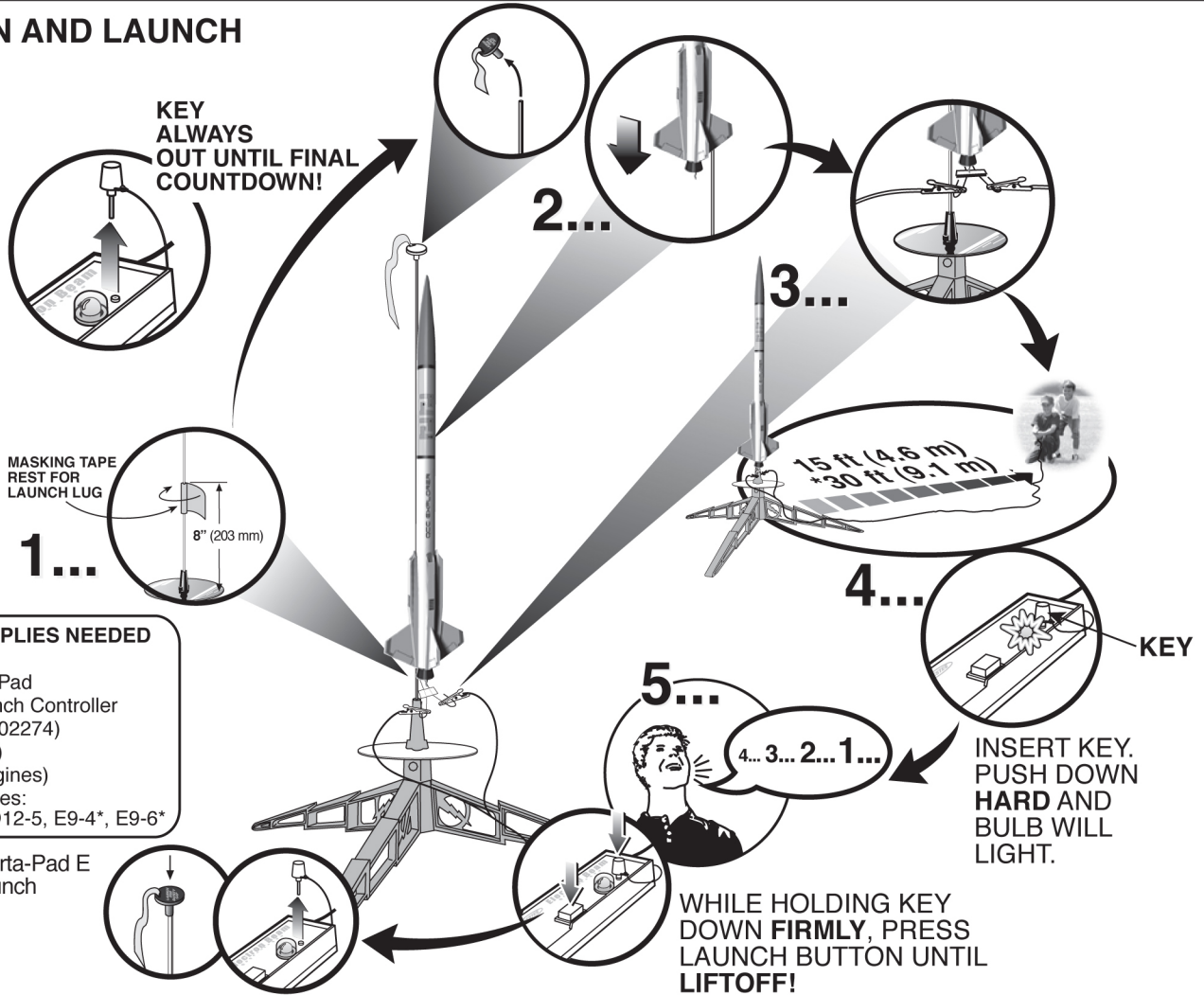
Your Estes product is marked with a four digit lot code or codes. The code is two digits, a space and two more digits representing the week and year of manufacture, respectively. Lot codes can be found on the product package, decal, launch controller, launch pad and/or blast deflector.

**(Please record the lot code found on the decal and keep for future reference.)** Lot code: \_\_\_\_\_

## ESTES LAUNCH SUPPLIES NEEDED (Sold Separately)

- Porta Pad® II Launch Pad
- Electron Beam™ Launch Controller
- Recovery Wadding (302274)
- Igniters (with engines)
- Igniter Plugs (with engines)
- Recommended Engines: C11-3 (First Flight), D12-5, E9-4\*, E9-6\*

\*E Engines require Porta-Pad E Launch Pad and E Launch Controller.



# PRECAUTIONS



## PRE-LAUNCH CHECK

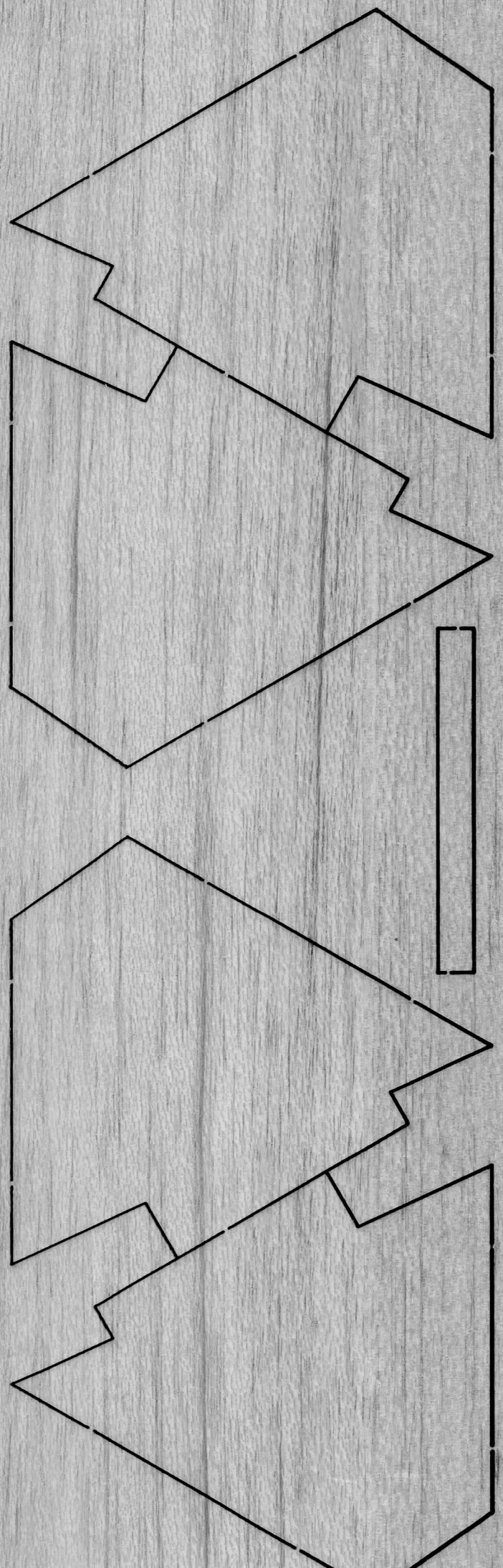
For safety, never launch a damaged rocket. Check the rocket's body, nose cone and fins. Also, check the engine mount, recovery system and launch lug. Repair any damage before launching the rocket.

## FLYING YOUR ROCKET

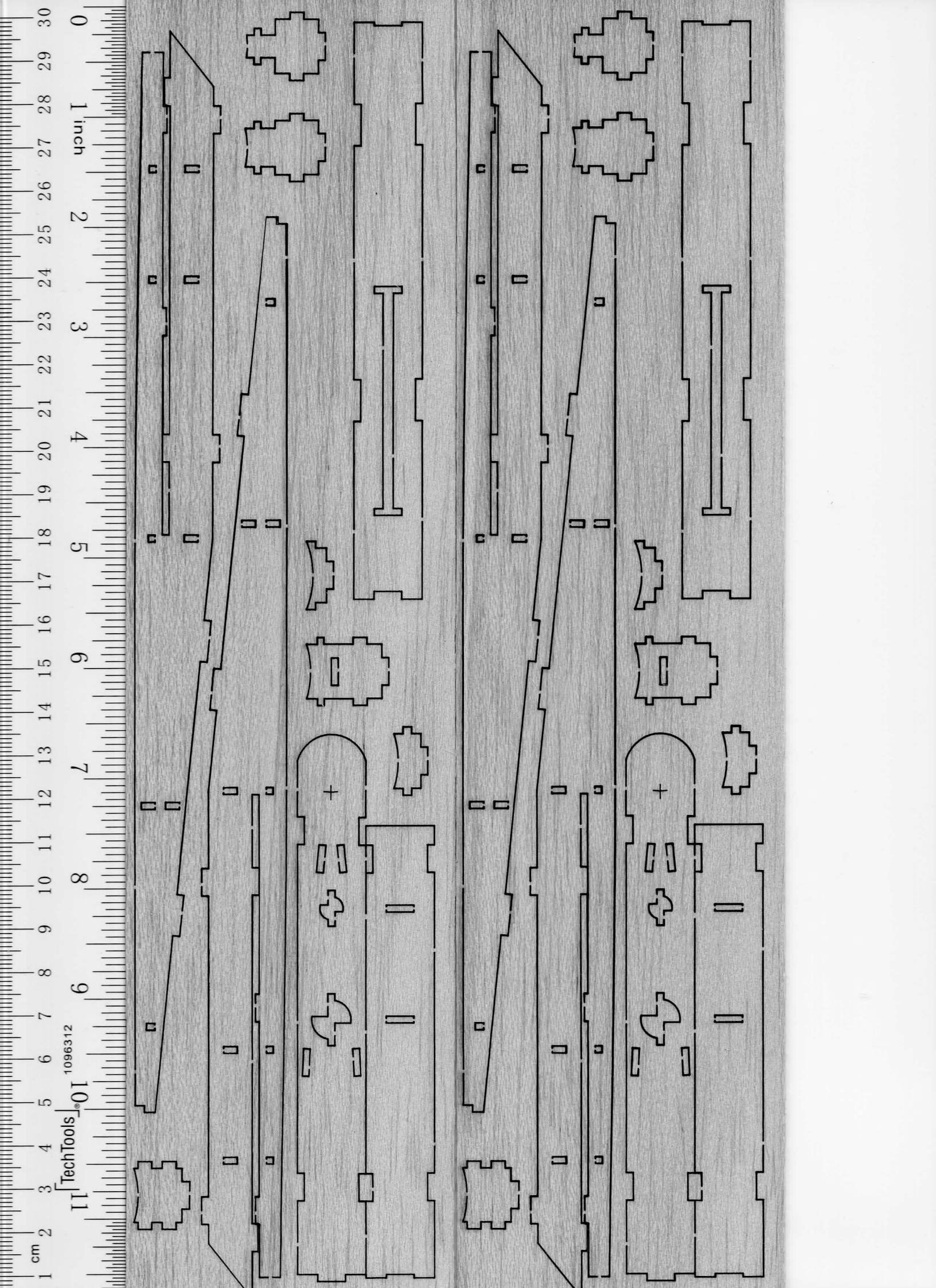
Choose a large field (500 ft. [152 m] square) free of dry weeds and brown grass. The larger the launch area, the better your chance of recovering your rocket. Football fields and playgrounds are great. Launch only with little or no wind and good visibility. Always follow the enclosed National Association of Rocketry (NAR) SAFETY CODE.

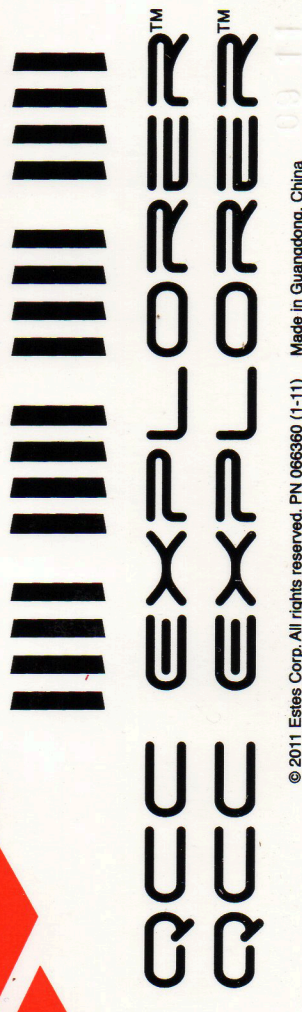
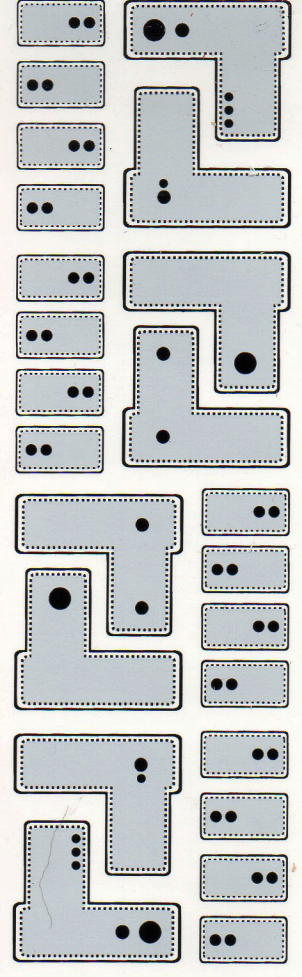
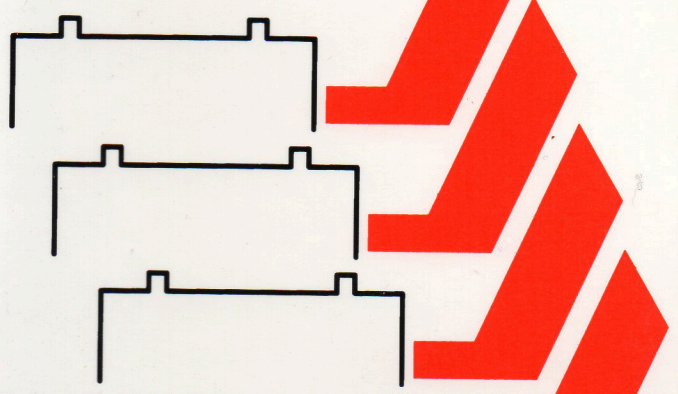
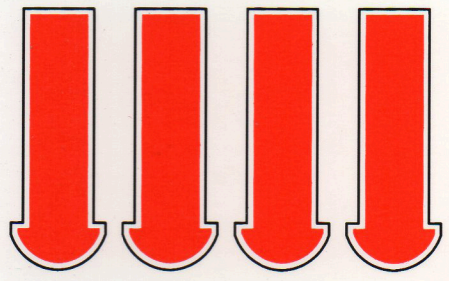
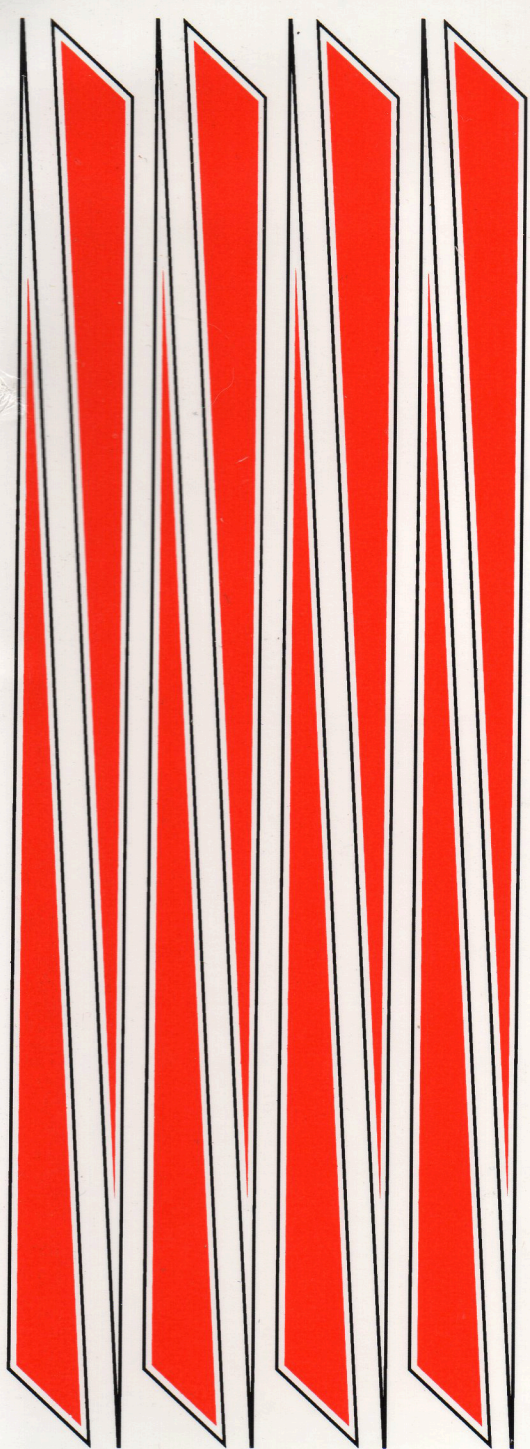
## MISFIRES

TAKE THE KEY OUT OF THE CONTROLLER. WAIT ONE MINUTE BEFORE GOING NEAR THE ROCKET! Disconnect the igniter clips and remove the engine. Take the plug and igniter out of the engine. If the igniter has burned, it worked but did not ignite the engine because it was not touching the propellant inside the engine. Put a new igniter all the way inside the engine without bending it. Push the plug in place. Repeat the steps under Countdown and Launch.





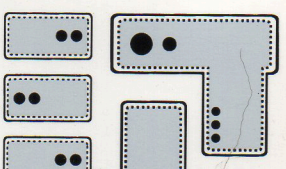




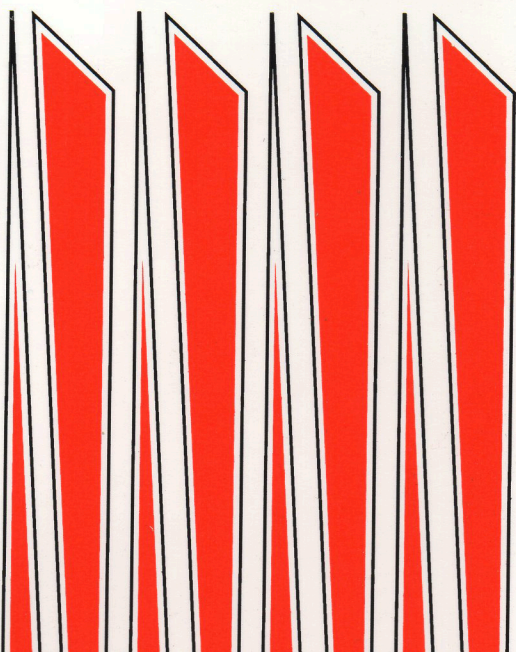
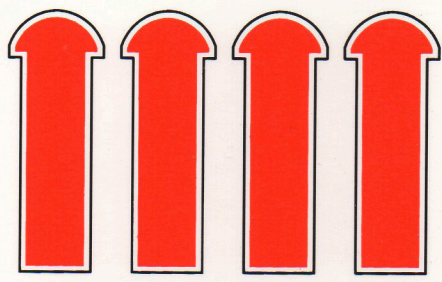
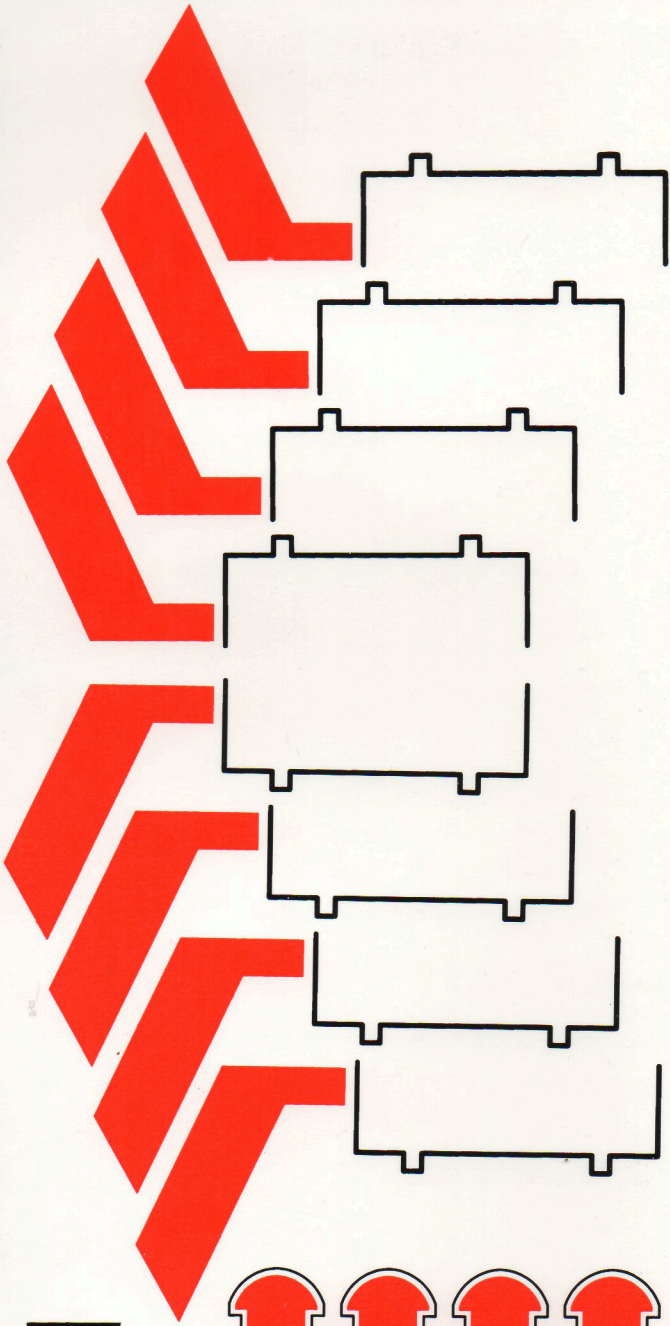
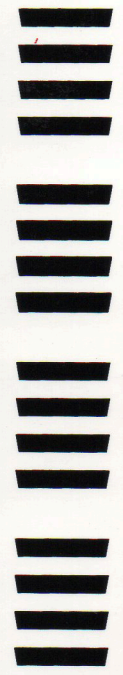
© 2011 Estes Corp. All rights reserved. PN 066360 (1-11) Made in Guangdong, China



© 2011 Estes Corp. All rights reserved. PN 066360 (1-11) Made in Guangdong, China



QUCU WXYZ ORRr  
QUCU WXYZ ORRr







# QCC EXPLORER™

FLYING WOODS ROCKET KIT

Ball Level 1

- Special Pricing!
- C, D & E Engines!

FLYING WOODS  
**1225**  
 BALL



**35** INCHES  
 TALL!

ESTES  
 Flying Woods  
 rockets  
 since 1958

Instructions included



QUANTITY / QUANTITÉ : 1