





EstesRockets.com

7265

SPACE CRATER™



MODEL ROCKET INSTRUCTIONS

KEEP FOR FUTURE REFERENCE

IMPORTANT: Please record date found on decal and keep for future reference. _____

Read all instructions. Make sure you have all parts and supplies. Test fit all parts before applying glue. Sand as necessary for precision assembly. Product color and shape may vary.

SUPPLIES



PLASTIC CEMENT



CARPENTERS GLUE



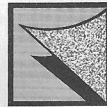
PENCIL



RULER

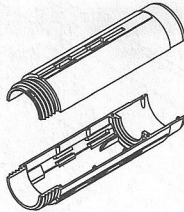


SCISSORS

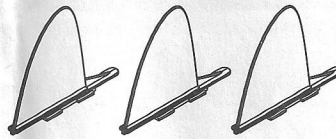


FINE SANDPAPER

A / B 072928 / 929
Fin can



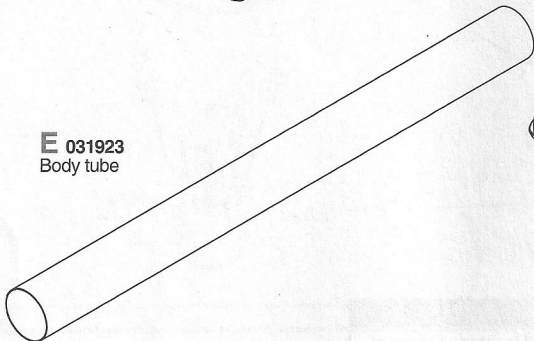
C 073006
Fins



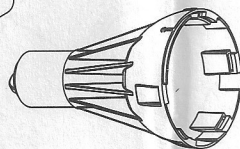
D 073005
Engine cap



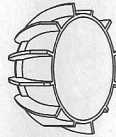
E 031923
Body tube



J 061343
Nose cone bottom



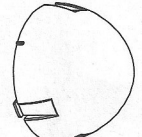
H 061345
Egg cushion bottom



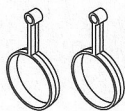
G 061344
Egg cushion top



I 061342
Nose cone top



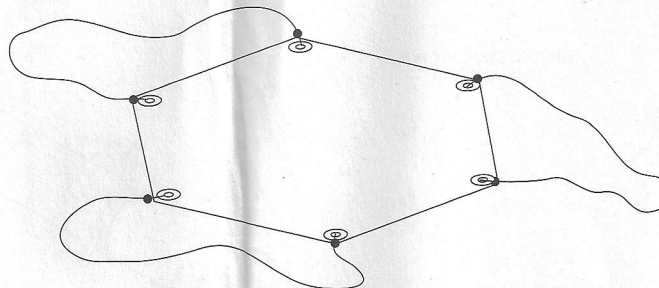
090001-7265
Self-stick decal (not shown)



F 068248
Launch lugs



K 038362
Shock cord



L 035806
Parachute

SHOCK CORD MOUNT



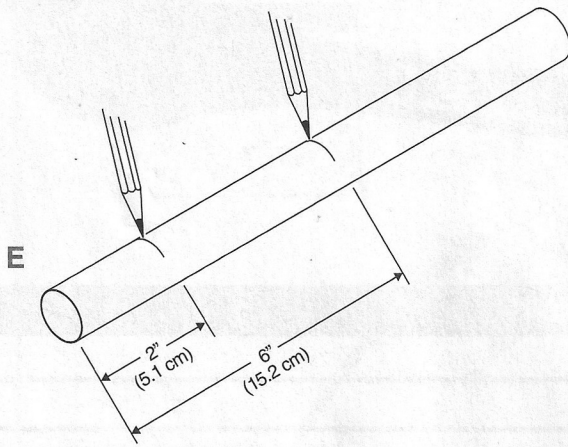
3

2

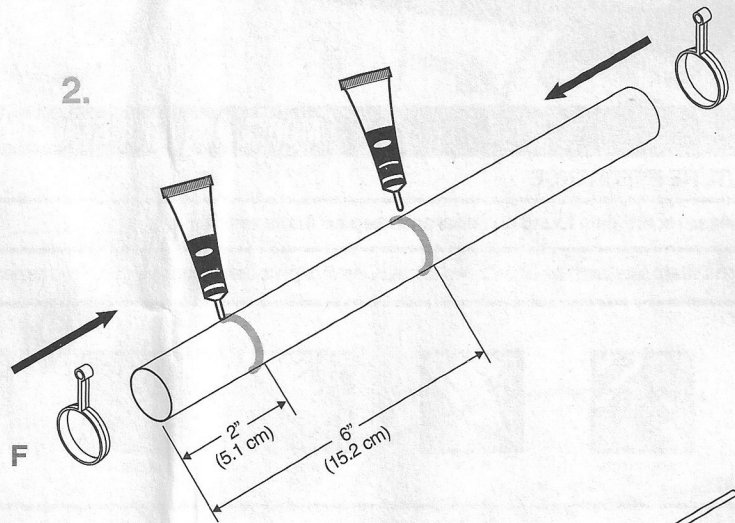
1

Make a copy if you want to keep instructions.

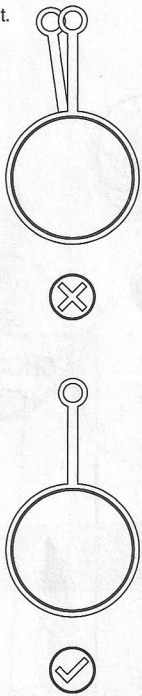
1.



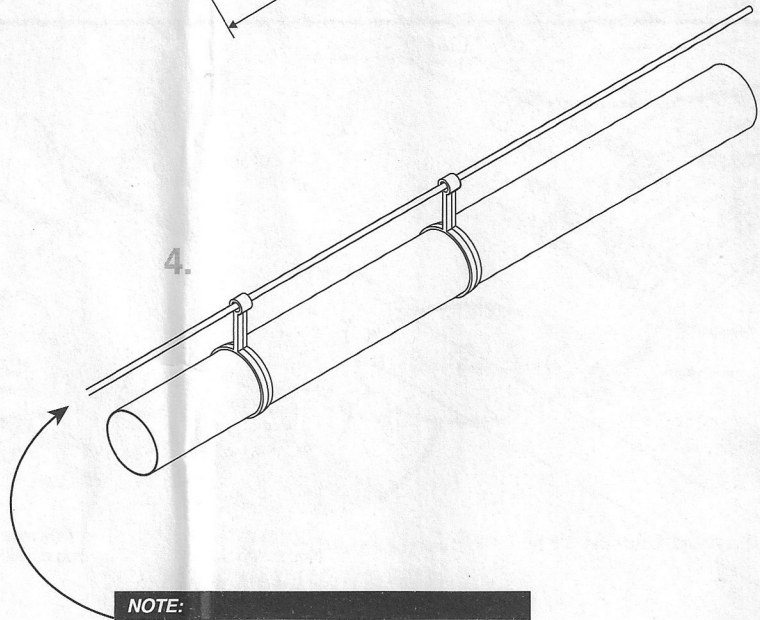
2.



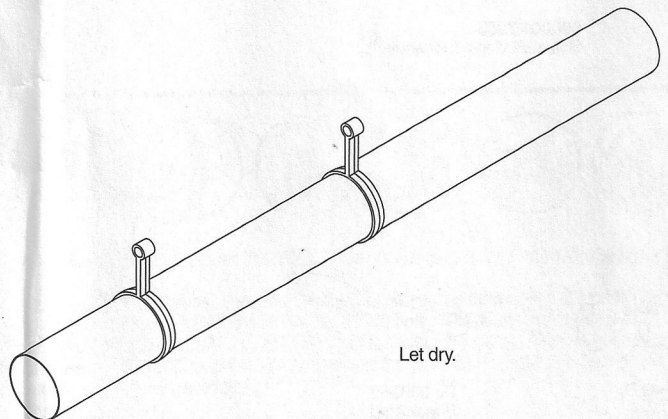
3. Check alignment.



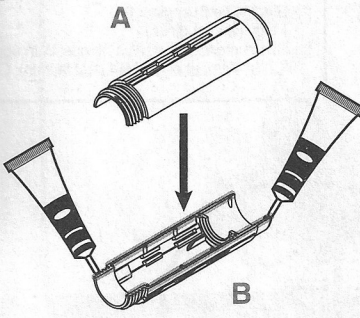
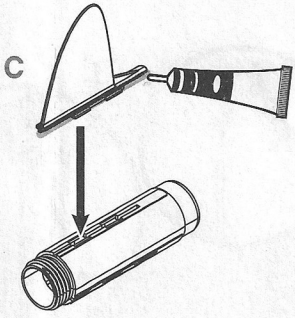
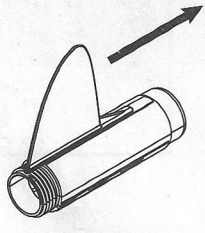
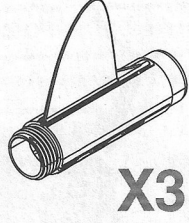
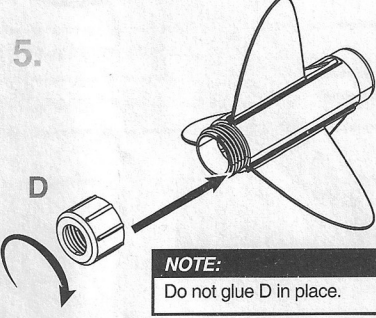
4.

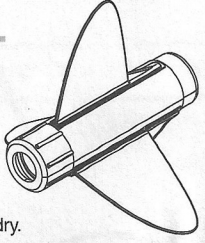


NOTE:
A launch rod may be inserted to check alignment.



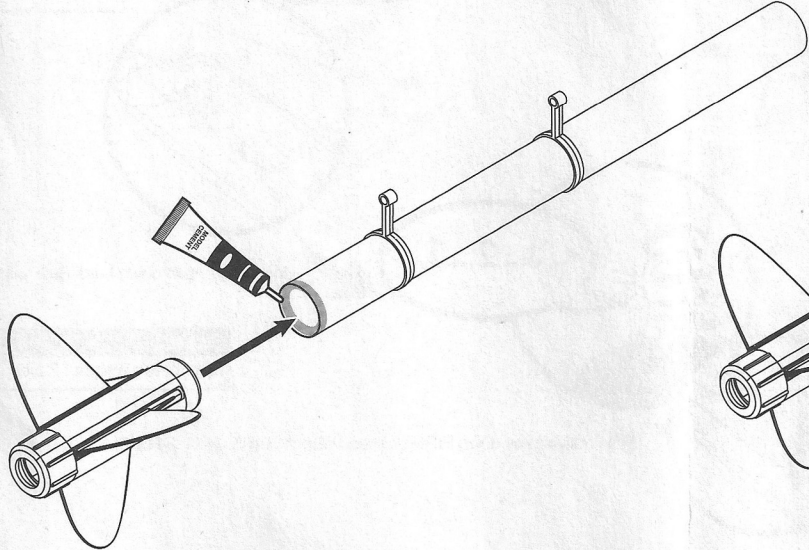
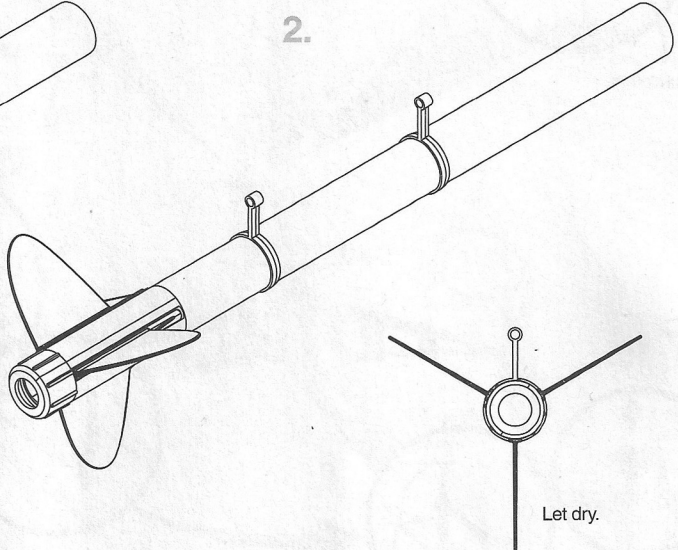
ASSEMBLE FIN CAN

- 
- 
- 
- 
- 

NOTE:
Do not glue D in place.
- 

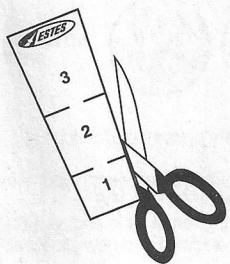
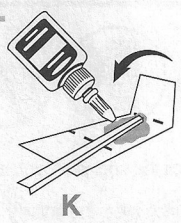
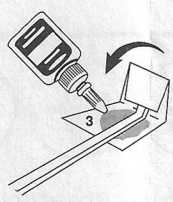
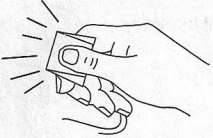
Let dry.

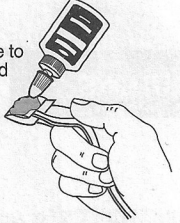
ATTACH BODY TUBE

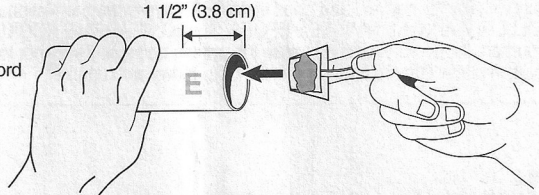
- 
- 

Let dry.

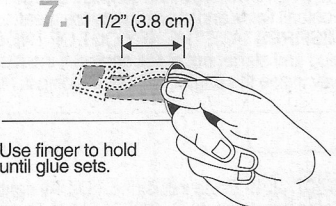
INSTALL SHOCK CORD

- 
- 
- 
- 

4. Hold until set. Let dry.
- 

5. Apply glue to shock cord mount.
- 

6. Glue shock cord mount to the inside of E.

1 1/2" (3.8 cm)
- 

7. 1 1/2" (3.8 cm)

Use finger to hold until glue sets.

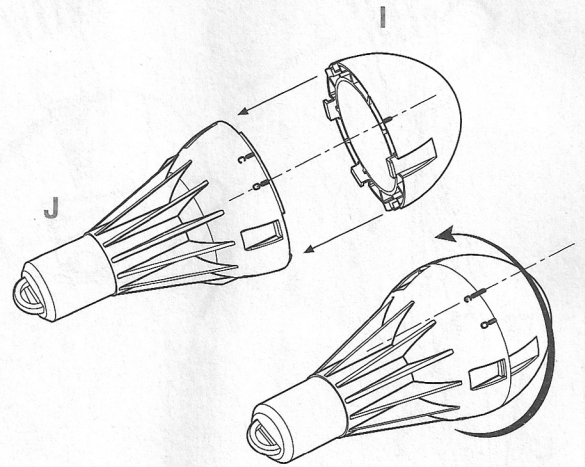
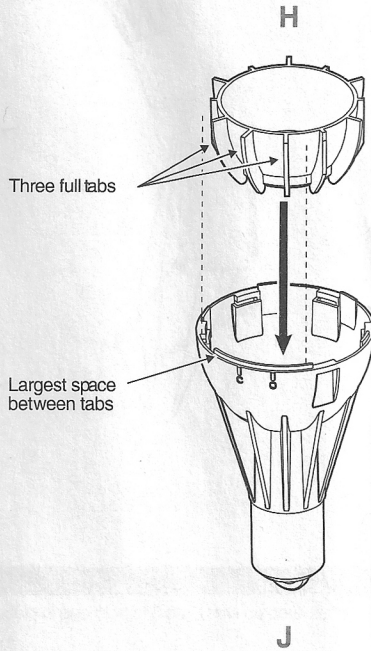
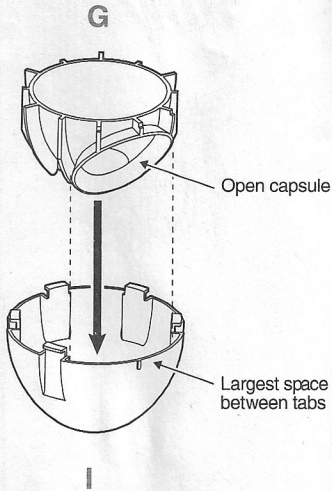
NOTE:
Cut from page 1.

ASSEMBLE NOSE CONE / ENSAMBLAJE DEL CONO DE LA NARIZ / ASSEMBLER LE NEZ CONIQUE

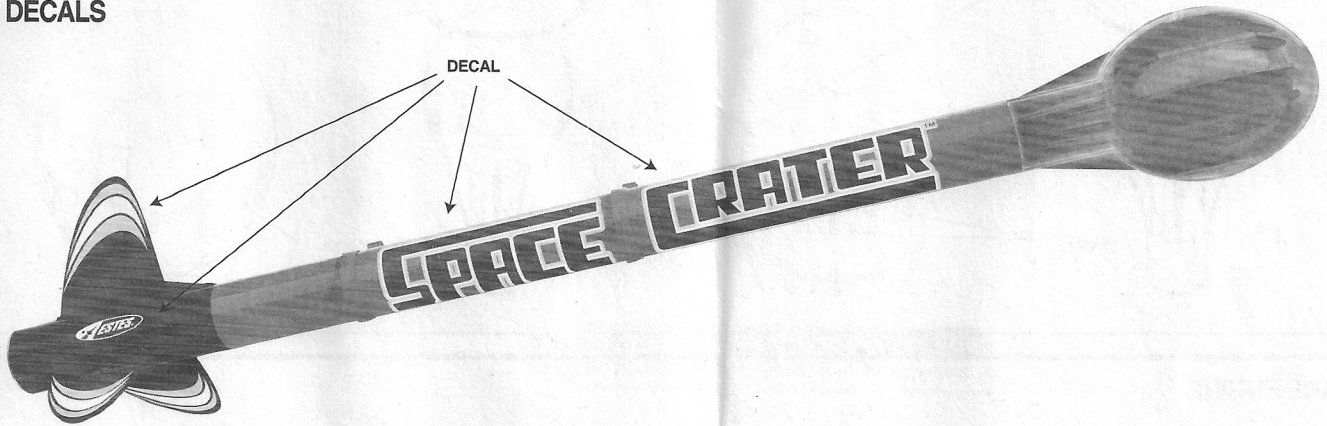
1. Insert G into I so that the open capsule area is centered in the largest space between tabs.

2. Insert H into J so that the three full consecutive tabs are centered in the largest space between tabs as shown.

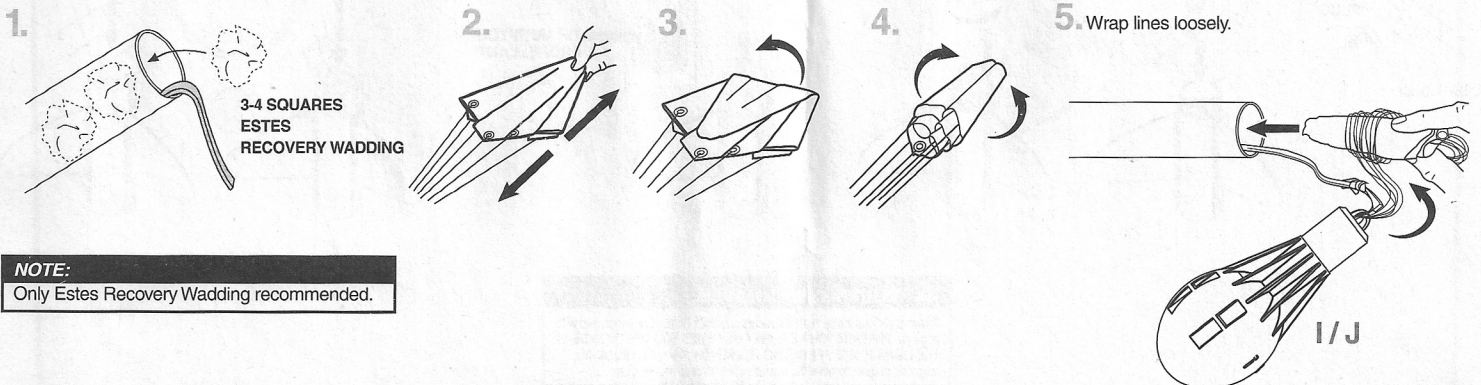
3. With cushions properly in place, line up lock marks on I and J as shown. Twist the I onto J until the lock marks are aligned as shown.



APPLY DECALS

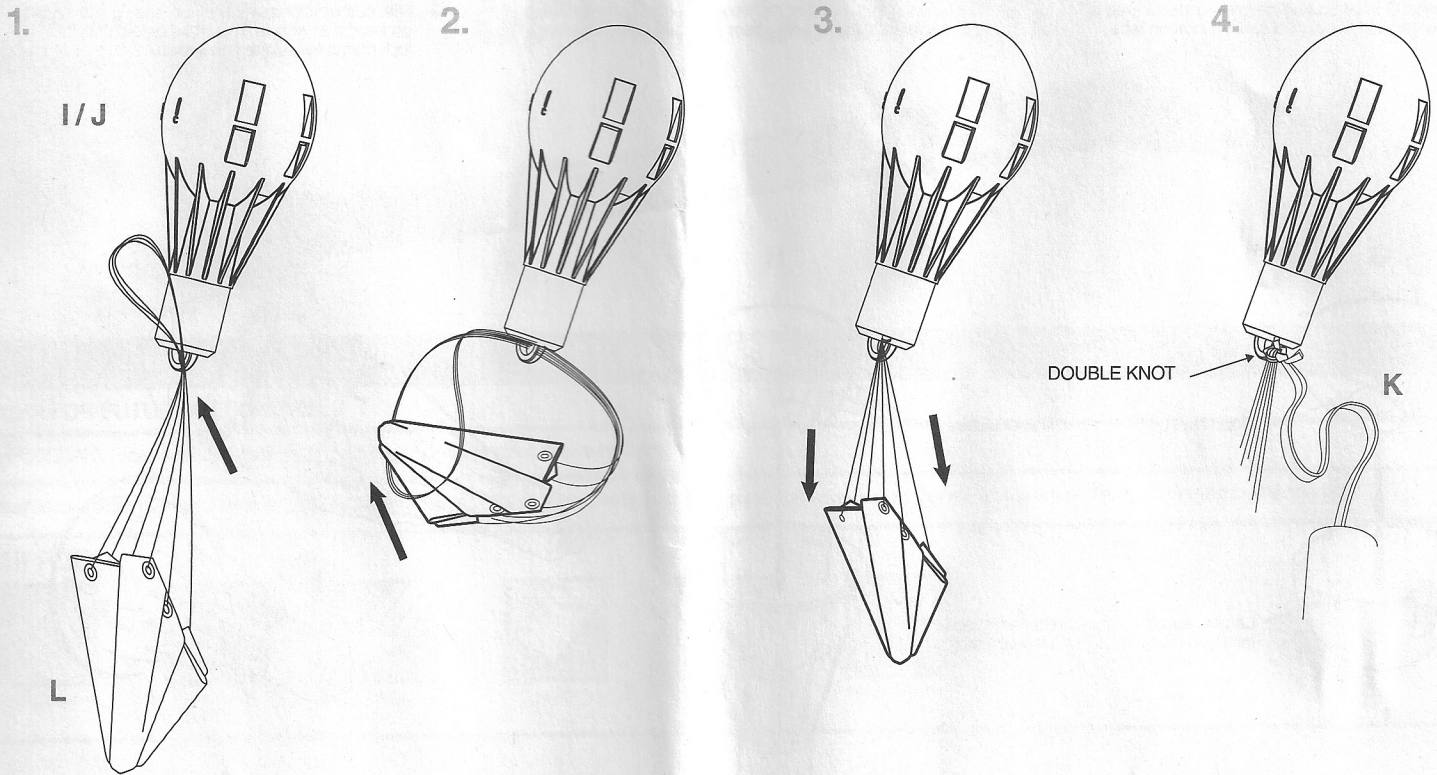


PREPARE FLIGHT RECOVERY



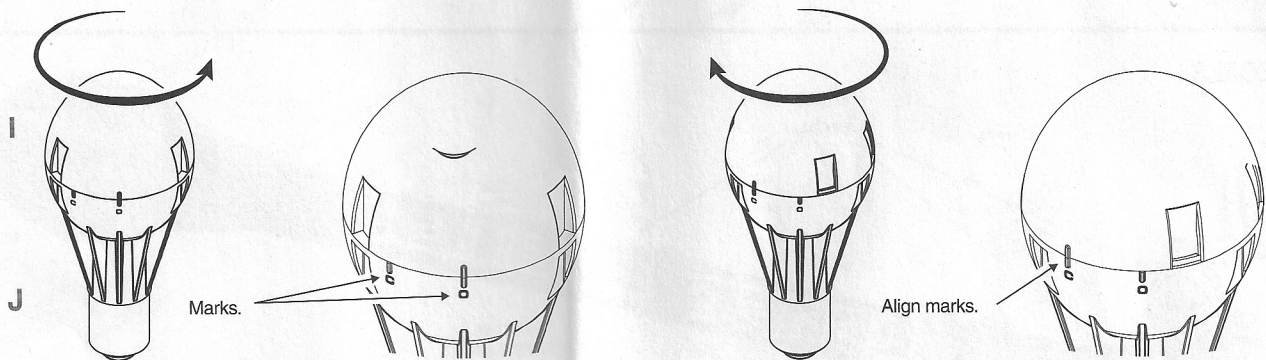
NOTE:
Only Estes Recovery Wadding recommended.

PREPARE RECOVERY SYSTEM

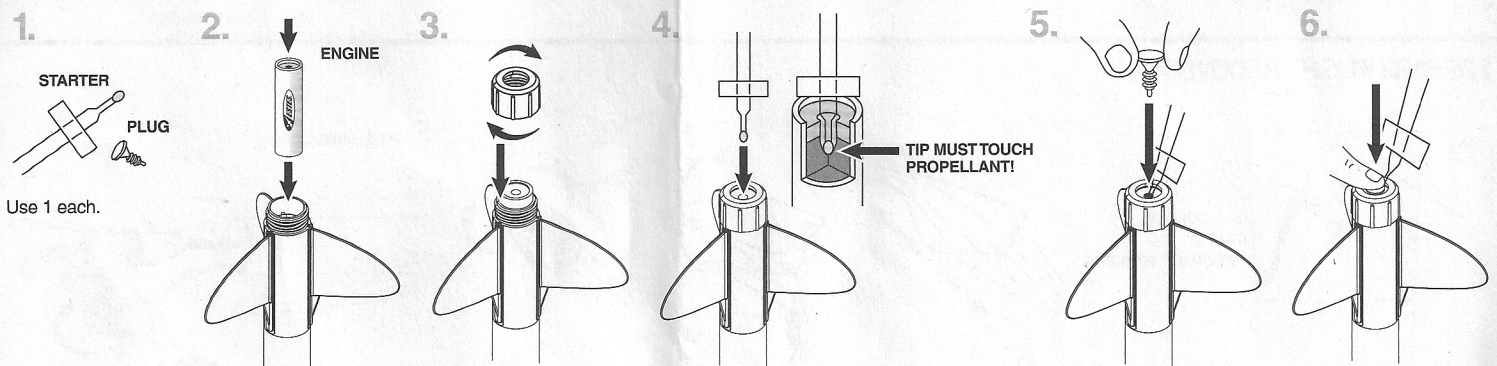


NOTE:

To launch an egg, twist I so lock mark is lined up with O on J. Insert egg. Twist I so lock mark is lined up with C on J to hold egg in place while launching. Use only C6-3 engine when launching with an egg.



PREPARE ENGINE



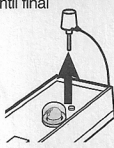
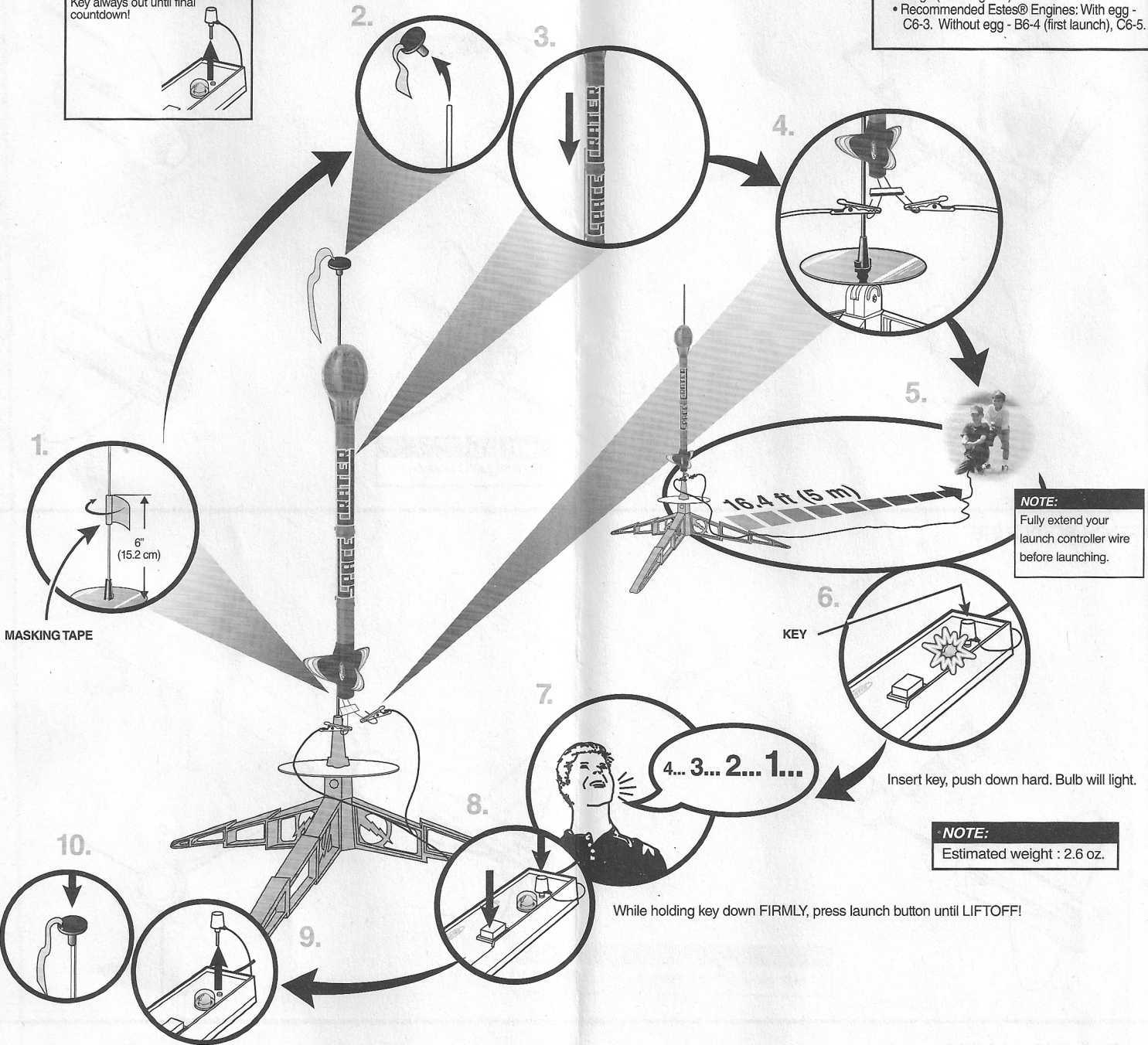
⚠ WARNING: FLAMMABLE

To avoid serious injury, read instructions & NAR Safety Code included with engines. **PREPARE YOUR ENGINE ONLY WHEN YOU ARE OUTSIDE AT THE LAUNCH SITE PREPARING TO LAUNCH.** If you do not use your prepared engine, remove the starter before storing your engine.

LAUNCH PROCEDURES

- ESTES LAUNCH SUPPLIES NEEDED**
 (Sold Separately)
- Launch Pad
 - Launch Controller
 - Recovery Wadding
 - Starters (with engines)
 - Plugs (with engines)
 - Recommended Estes® Engines: With egg - C6-3. Without egg - B6-4 (first launch), C6-5.

NOTE:
 Key always out until final countdown!

PRECAUTIONS



NAR SAFETY CODE



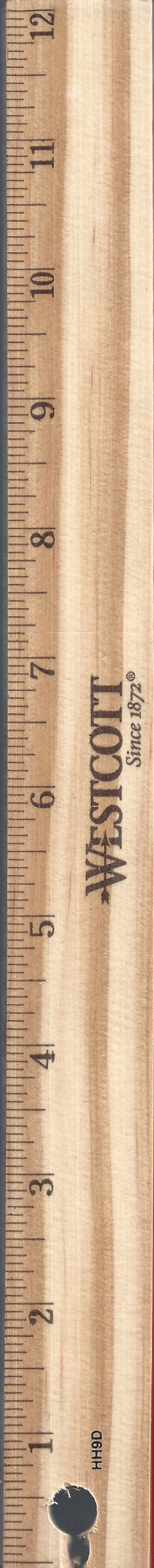
NO DRY GRASS OR WEEDS

PRE-LAUNCH CHECK For safety, never launch a damaged rocket. Check the rocket's body, nose cone and fins. Also, check the engine mount, recovery system and launch lug(s). Repair any damage before launching the rocket.

FLYING YOUR ROCKET Choose a large field (500 ft [152 m] square) free of dry weeds and brown grass. The larger the launch area, the better your chance of recovering your rocket. Football fields and playgrounds are great. Launch only with little or no wind and good visibility. Always follow the National Association of Rocketry (NAR) SAFETY CODE.

MISFIRES TAKE THE KEY OUT OF THE CONTROLLER. WAIT ONE MINUTE BEFORE GOING NEAR THE ROCKET! Disconnect the starter clips and remove the engine. Take the plug and starter out of the engine. If the starter has burned, it worked but did not ignite the engine because it was not touching the propellant inside the engine. Put a new starter all the way inside the engine without bending it. Push the plug in place. Repeat the steps under Countdown and Launch.





1

HH9D

WESTCOTT
Since 1872®

2

3

4

5

6

7

8

9

10

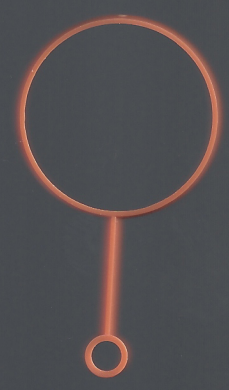
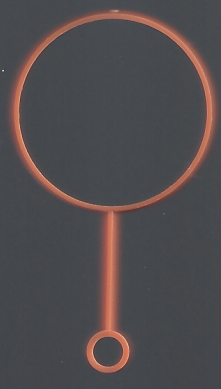
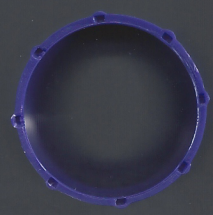
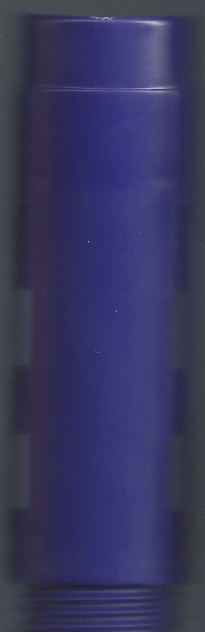
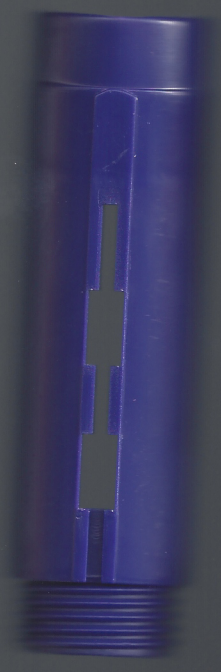
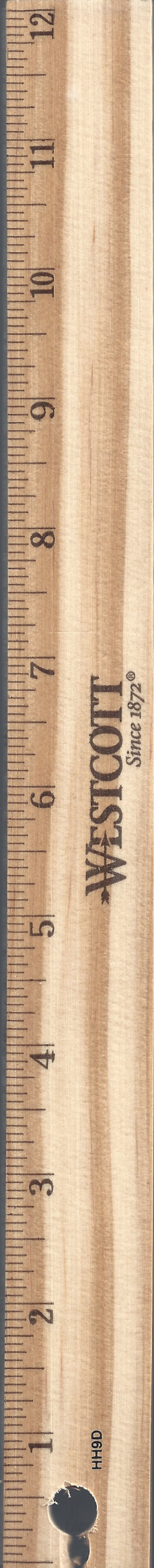
11

12



HH9D

WESTCOTT
Since 1872®



1 2 3 4 5 6 7 8 9 10 11 12

WESTCOTT
Since 1872®

HH9D





WESTCOTT
Since 1872®

HH9D

CRATER™

ESTES

ESTES

05/10/19

©2017 - 2019 Estes Industries, LLC. All rights reserved. Made in Guangdong, China. PN 090001-7285 (4-19)

SPACE CRATER™

FLYING MODEL ROCKET KIT



**"Crate"
your egg
into
space!**

Soars up to

650 ft
198 m

Without egg: **C6-5**

Other recommended engines:

Without egg: **B6-4**

With egg: **C6-3**



Length: 18.5 in.
47 cm

Wingspan: 0.98 in.
25 mm

Diameter: 15 in.
38.1 cm

Recovery: Parachute
15 in. (38.1 cm)

08 12 18
EST7265



PN 090002-7265 (4-19)
©2017-2019 Estes Industries, LLC.
All rights reserved.
Color of product may vary.

QTY: 1

BEGINNER

INTERMEDIATE

ADVANCED

EXPERT

MASTER