

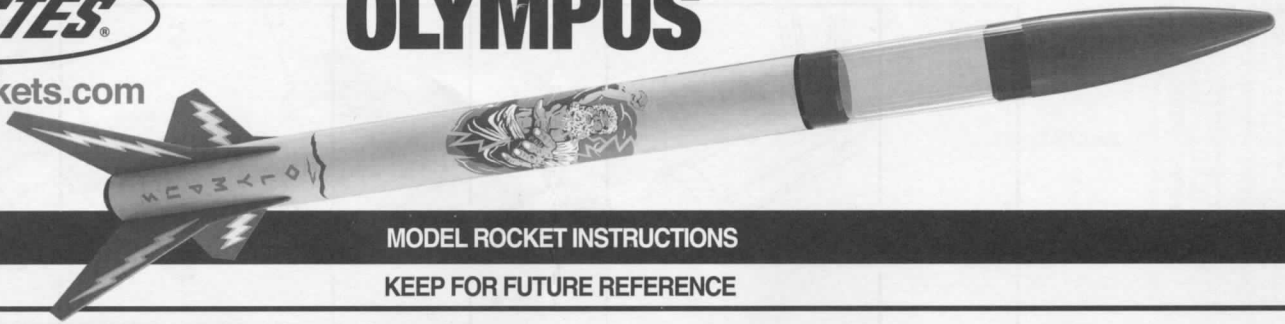




EstesRockets.com

OLYMPUS™

7293



MODEL ROCKET INSTRUCTIONS

KEEP FOR FUTURE REFERENCE

IMPORTANT: Please record date found on decal and keep for future reference. _____

READ ALL INSTRUCTIONS. Make sure you have all parts and supplies. Test fit all parts before applying glue.

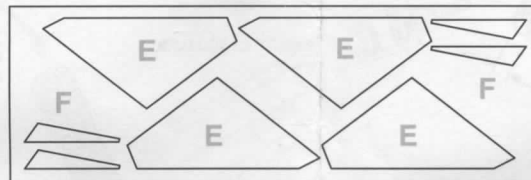
SUPPLIES



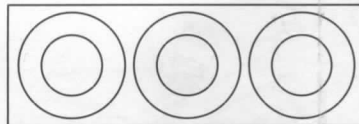
SCISSORS PENCIL RULER FINE SANDPAPER EPOXY CARPENTER'S GLUE PLASTIC CEMENT HOBBY KNIFE MASKING TAPE CLEAR TAPE PRIMER (WHITE) CLEAR COAT (OPTIONAL) PAINT (METALLIC COPPER OR GOLD) SAND BLOCK



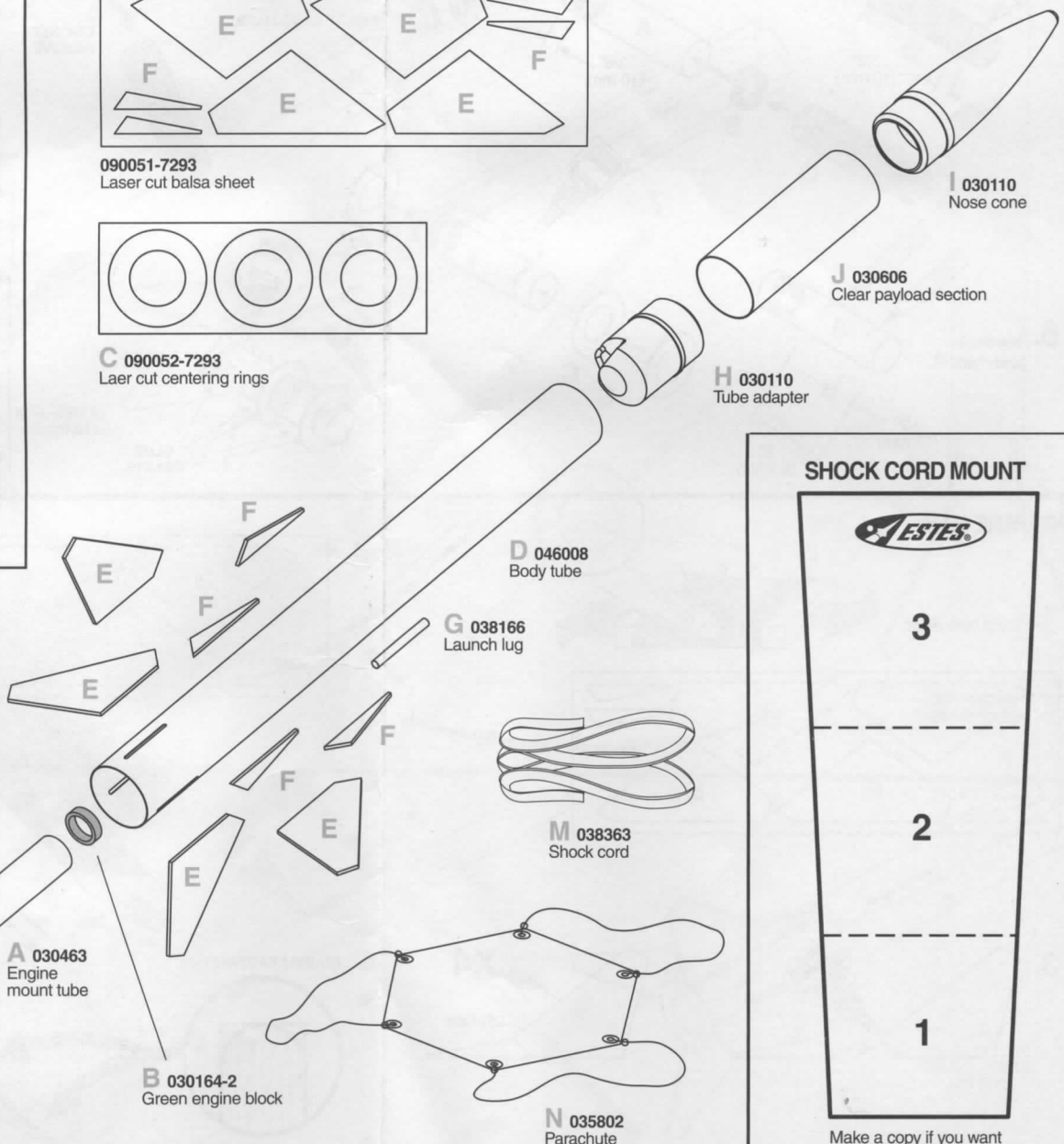
090001-7293
Waterslide decal



090051-7293
Laser cut balsa sheet



C 090052-7293
Laser cut centering rings



I 030110
Nose cone

J 030606
Clear payload section

H 030110
Tube adapter

D 046008
Body tube

G 038166
Launch lug

M 038363
Shock cord

N 035802
Parachute

B 030164-2
Green engine block

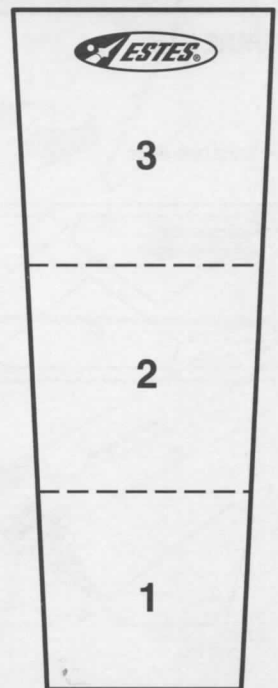
A 030463
Engine mount tube

P 035005
Orange E to D engine spacer

O 034997
Yellow spacer tool

L 072417
Engine retainer set

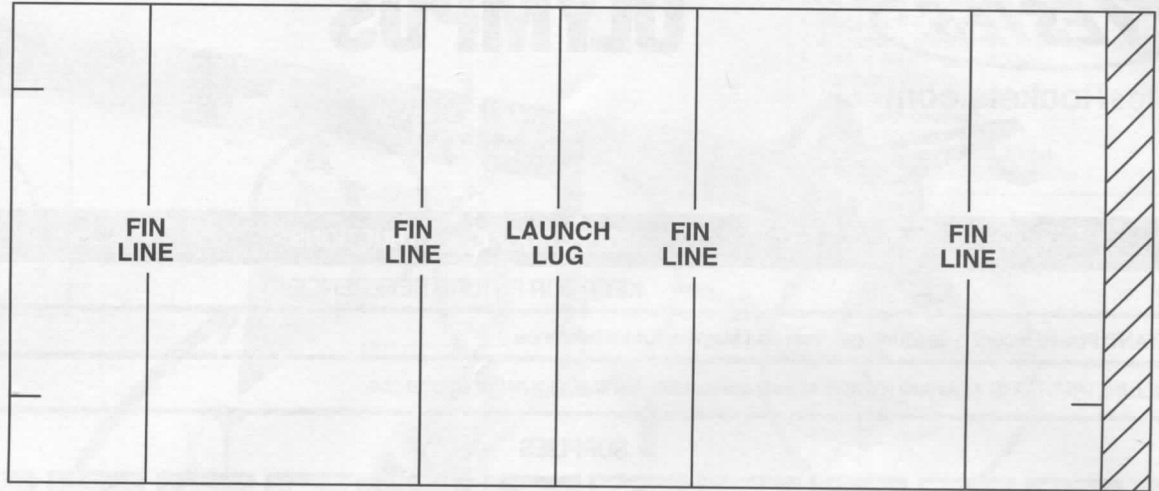
SHOCK CORD MOUNT



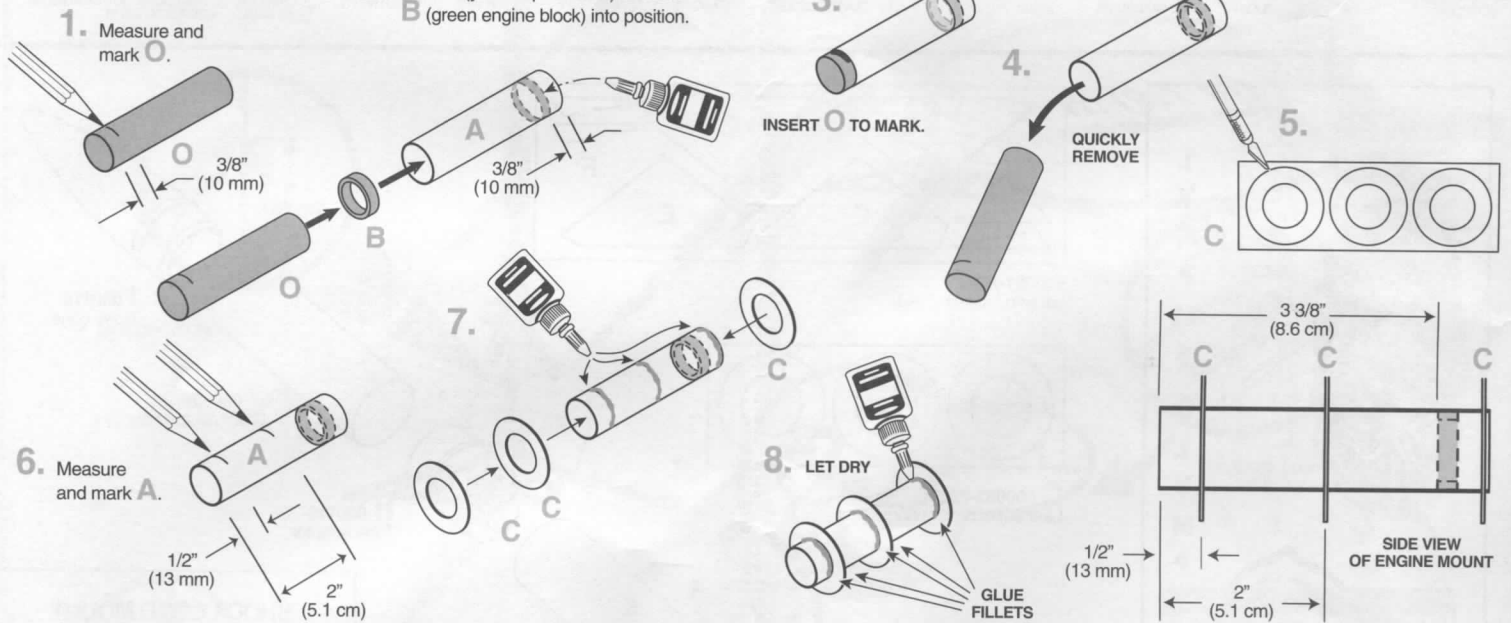
Make a copy if you want to keep instructions.

TUBE MARKING GUIDE

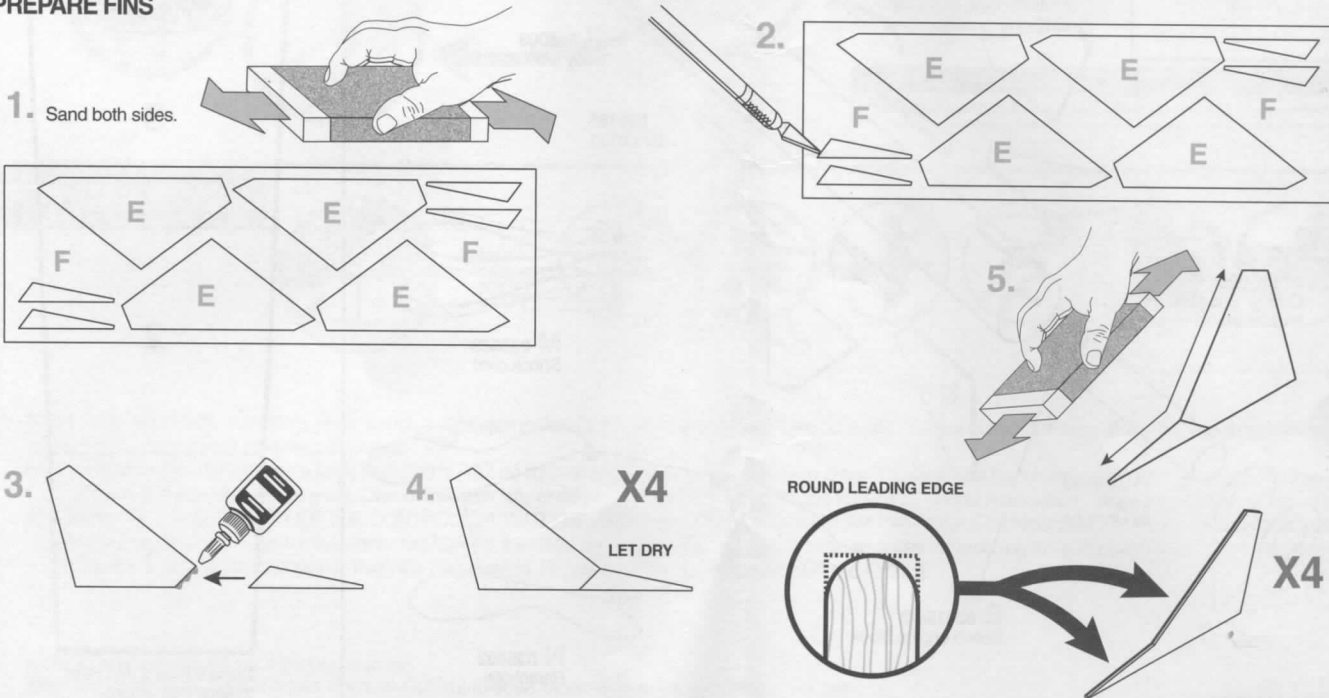
Make a copy if you want to keep instructions.



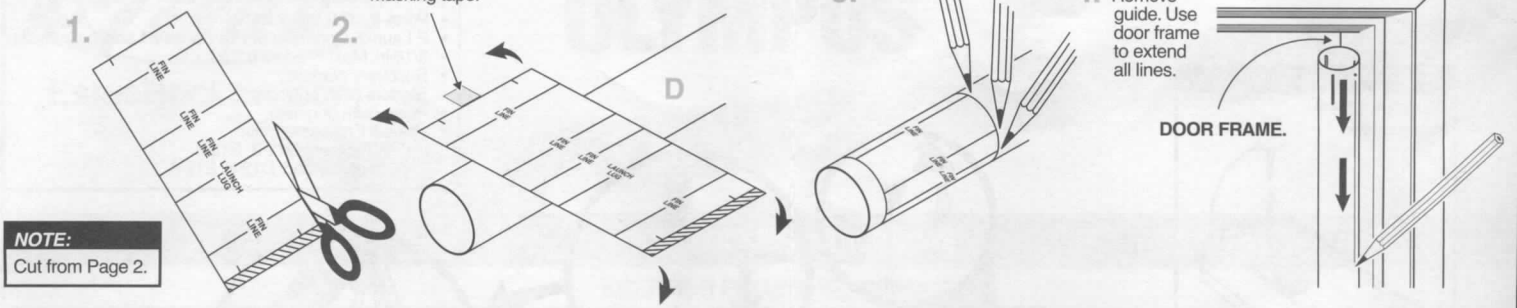
ASSEMBLE ENGINE MOUNT



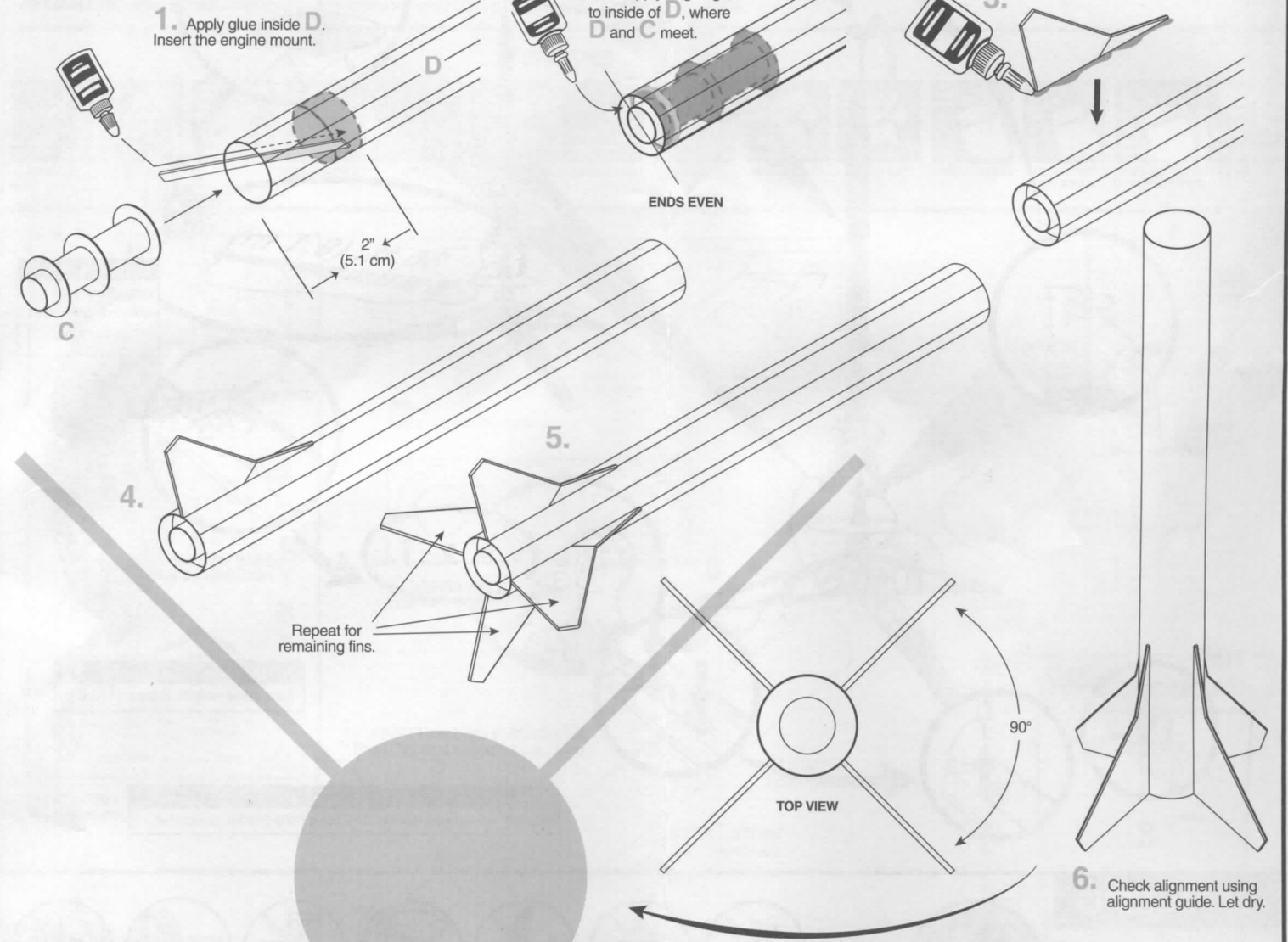
PREPARE FINS



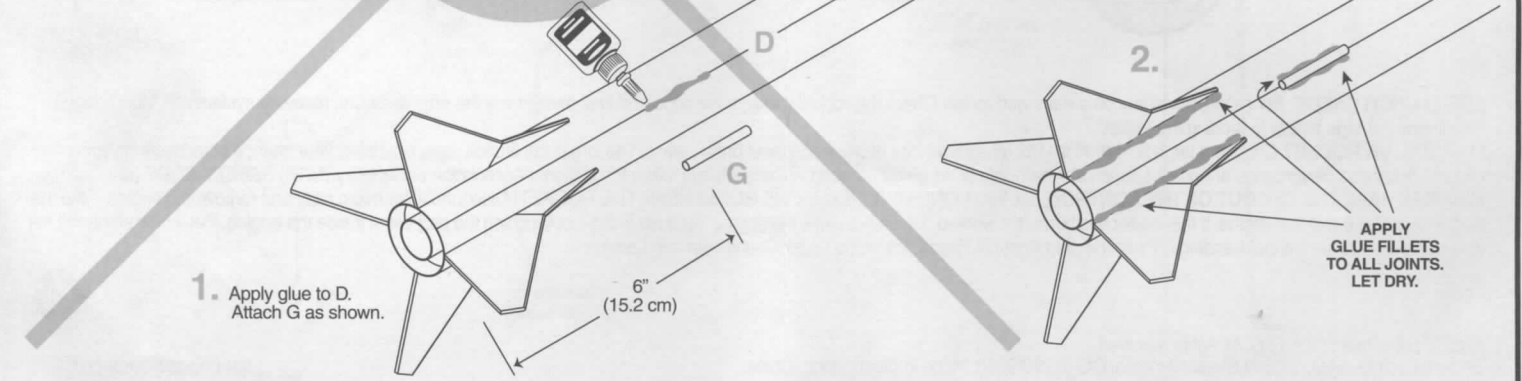
MARK TUBE



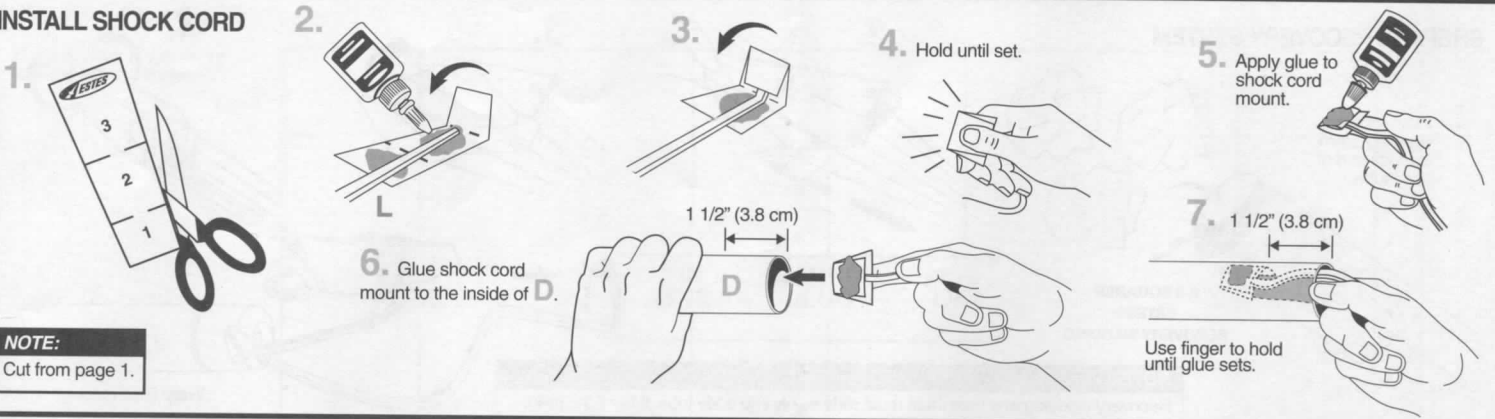
INSERT ENGINE MOUNT AND ATTACH FINS



ATTACH LAUNCH LUG



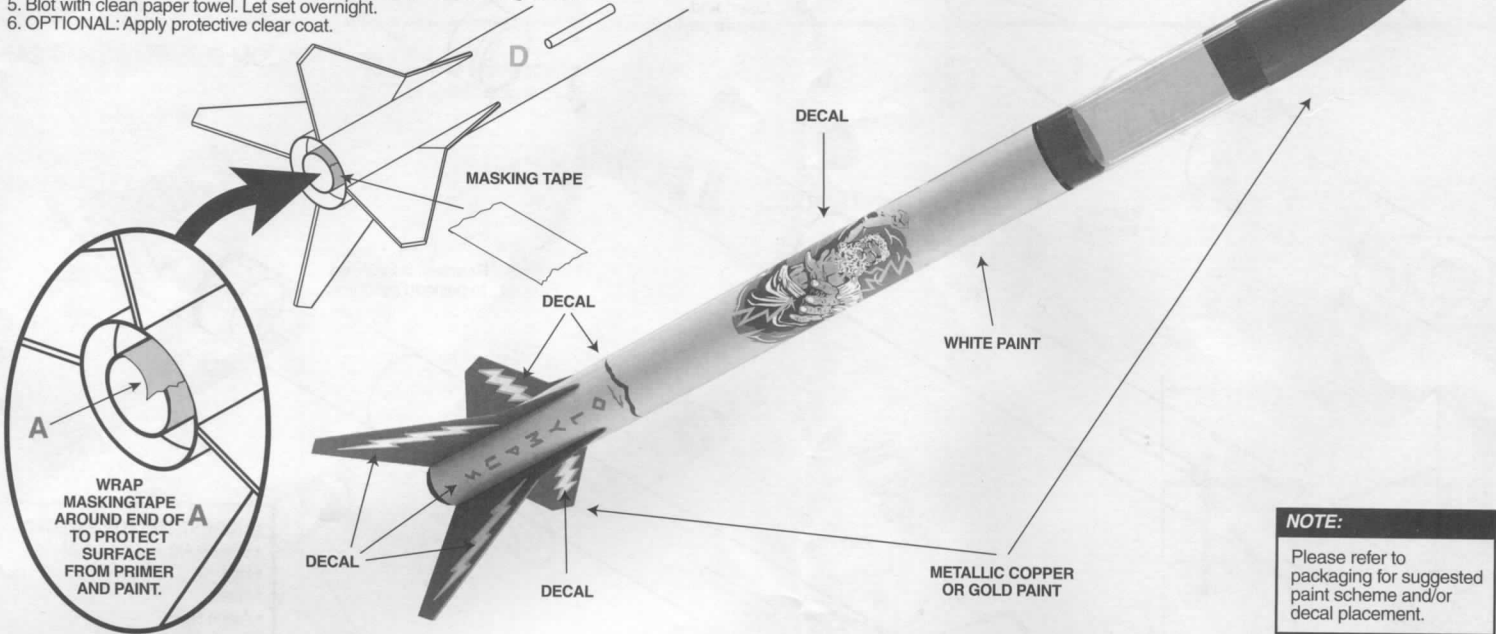
INSTALL SHOCK CORD



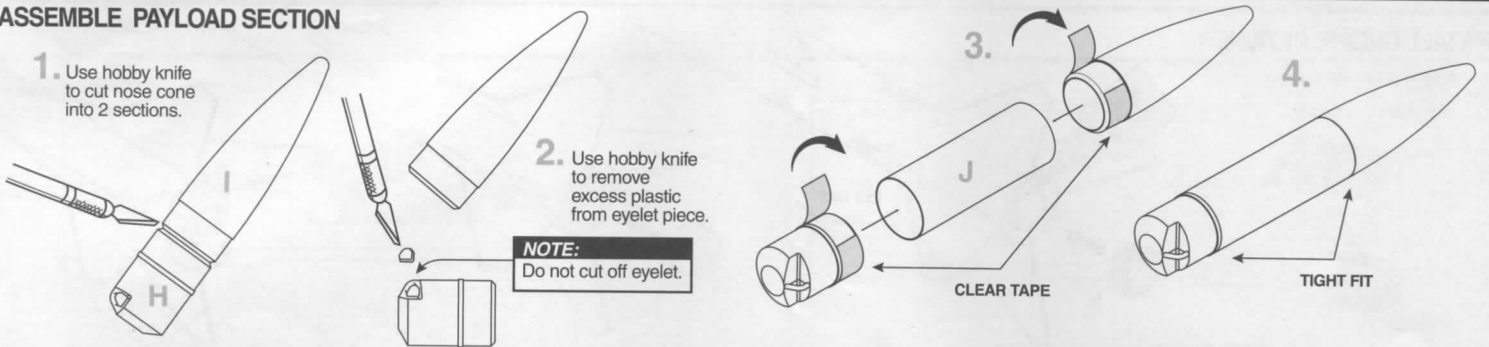
NOTE:
Cut from page 1.

ROCKET FINISHING

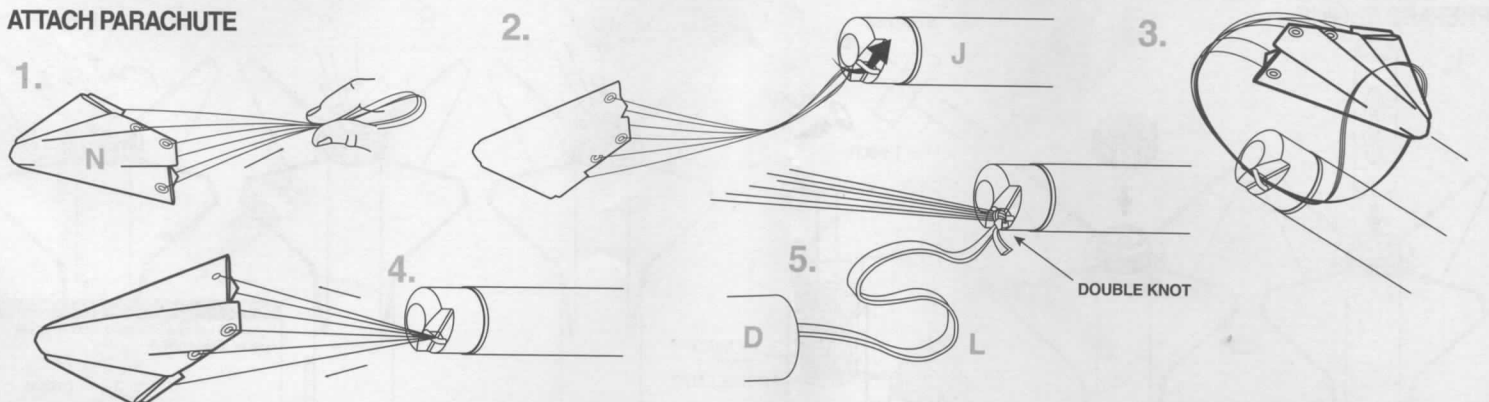
1. Spray rocket with white primer, let dry, and sand. Repeat until rocket is smooth, then paint. Apply decals only after paint is dry.
2. Cut decals from sheet, trimming close to edge.
3. One at a time, place in warm water until decal curls and begins to relax.
4. Remove and position on rocket, sliding decal away from backing material.
5. Blot with clean paper towel. Let set overnight.
6. OPTIONAL: Apply protective clear coat.



ASSEMBLE PAYLOAD SECTION



ATTACH PARACHUTE



PREPARE RECOVERY SYSTEM

1. Push recovery wadding down towards end of body tube.

8-9 SQUARES
ESTES®
RECOVERY WADDING

NOTE:

Recovery wadding and parachute must slide easily into body tube. If too tight, redo.

2.

3.

4.

5.

Wrap lines loosely.

PREPARE PAYLOAD SECTION FOR LAUNCH

1. Remove I from J.

2. Insert and secure payload.

3. Reattach nose cone to payload section.

SUGGESTIONS FOR PAYLOAD

- Estes® Altimeter
- Egg
- Insect
- Action figure
- Small video camera

INSTALL ENGINE RETAINER

1. Rough up inside surface of K with sandpaper.

2.

3.

4.

LET DRY

PREPARE ENGINE

1.

2.

3. STARTER

PLUG

Use 1 each.

4.

5.

6.

7.

TIP MUST TOUCH PROPELLANT!

NOTE:

If you are using a D engine, insert orange spacer, then engine.



P
035005

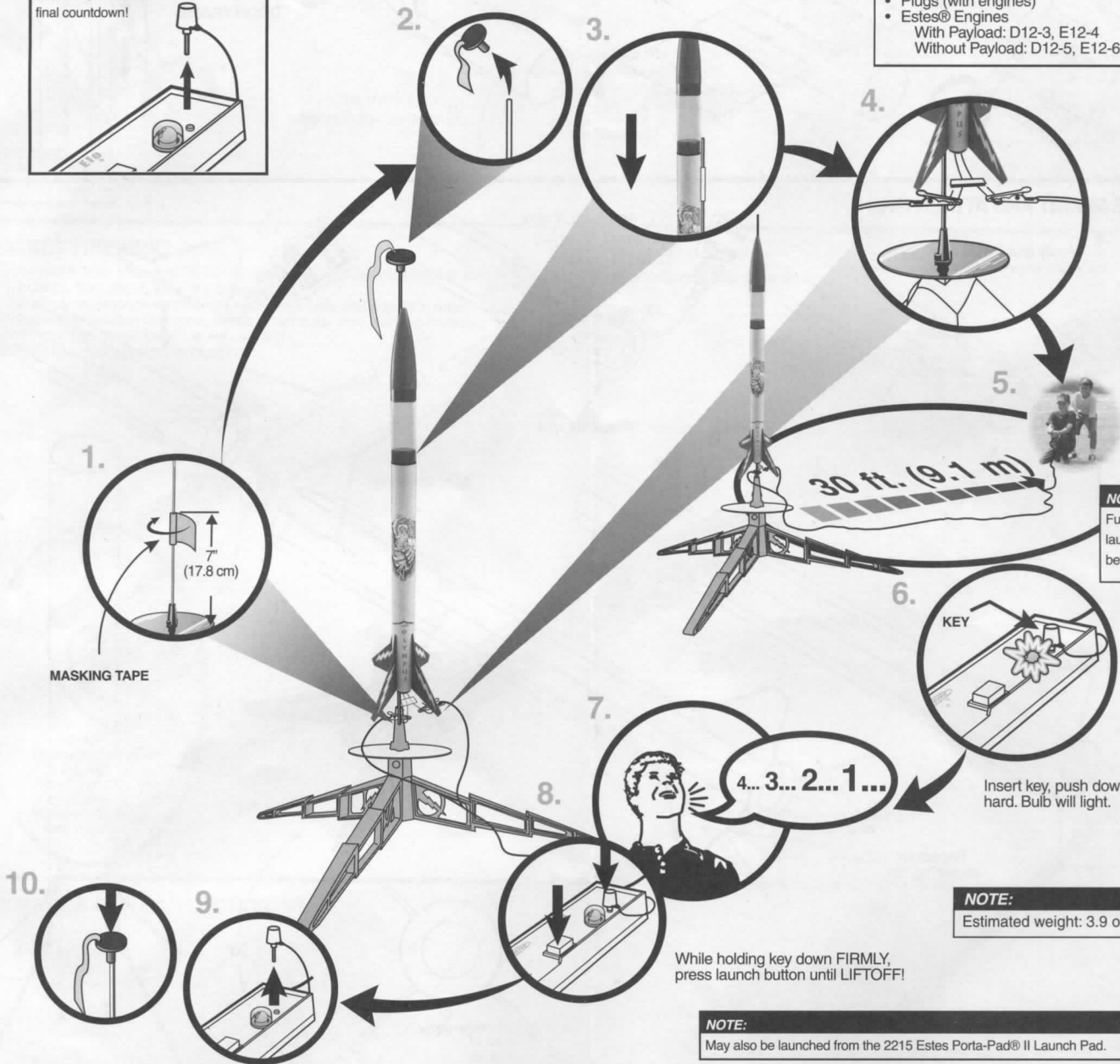
COUNTDOWN AND LAUNCH

NOTE:

Key always out until final countdown!

ESTES® LAUNCH SUPPLIES NEEDED
(Sold Separately)

- Porta-Pad® E Launch Pad
 - E Launch Controller or Pro Series II Launch Controller
 - 3/16 in. Maxi™ Launch Rod
 - Recovery Wadding
 - Starters (with engines)
 - Plugs (with engines)
 - Estes® Engines
- With Payload: D12-3, E12-4
Without Payload: D12-5, E12-6



NOTE:
Fully extend your launch controller wire before launching.

NOTE:
Estimated weight: 3.9 oz. (110.6 g)

NOTE:
May also be launched from the 2215 Estes Porta-Pad® II Launch Pad.

PRECAUTIONS



NAR Safety Code



NO DRY GRASS OR WEEDS

PRE-LAUNCH CHECK For safety, never launch a damaged rocket. Check the rocket's body, nose cone and fins. Also, check the engine mount, recovery system and launch lug(s). Repair any damage before launching the rocket.

FLYING YOUR ROCKET Choose a large field (500 ft. [152 m] square) free of dry weeds and brown grass. The larger the launch area, the better your chance of recovering your rocket. Football fields and playgrounds are great. Launch only with little or no wind and good visibility. Always follow the National Association of Rocketry (NAR) SAFETY CODE (enclosed).

MISFIRES TAKE THE KEY OUT OF THE CONTROLLER. WAIT ONE MINUTE BEFORE GOING NEAR THE ROCKET! Disconnect the micro clips and remove the engine. Take the plug and starter out of the engine. If the starter has burned, it worked but did not ignite the engine because it was not touching the propellant inside the engine. Put a new starter all the way inside the engine without bending it. Push the plug in place. Repeat the steps under Countdown and Launch.



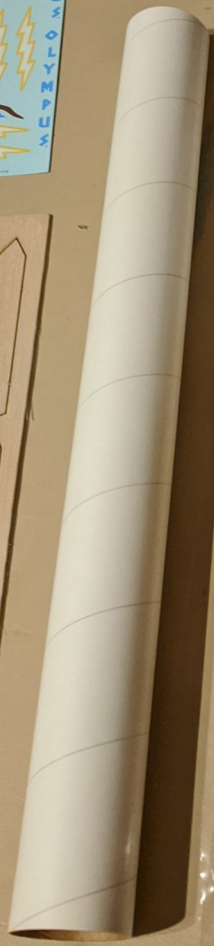
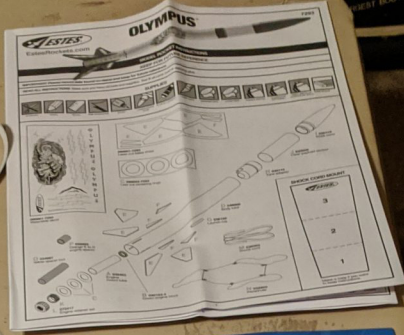


0 Inch 1 2 3 4 5 6 7 8 9 10 11 WELLS



©2019 Estes Industries, LLC
All rights reserved. Made in Guangdong, China. PN 090001-7293 (7-19)

OLYMPIAN™



OLYMPUS™

FLYING MODEL ROCKET KIT

Weight: 1400g
427g

Launch your "payload" to outer space!



Requires 2x16 in (5 mm) 1/8" Launch Post, Parachute and Launch Pad and E. Launch Controller

Length: 292 in / 742 cm
Diameter: 1.8 in / 46 mm
Payload: Parachute 18 in (45.7 cm)



QTY: 1



