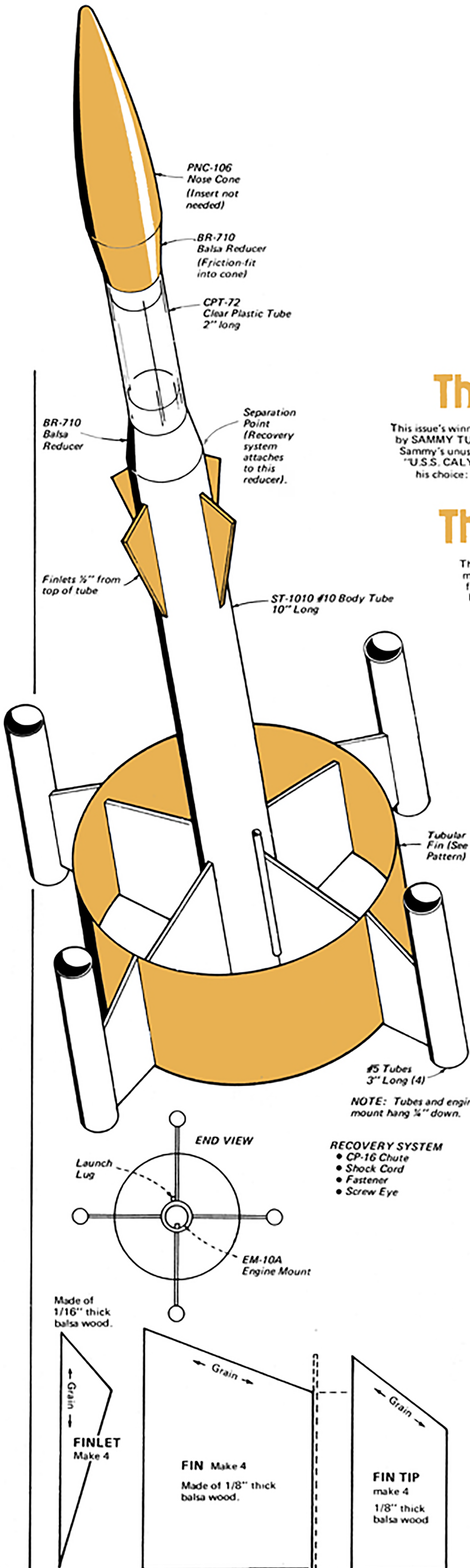


DESIGN CONTEST

Centuri Flying Model Rockets



The winner:

This issue's winning entry was designed and built by SAMMY TURNER of Bentonville, Arkansas. Sammy's unusual design is called the "U.S.S. CALYPSO", and won the prize of his choice: A "Saturn V" kit.

This design:

The "U.S.S. CALYPSO" is a little more challenging to build than it first appears. The large fins must be glued on neatly and accurately for the tubular fin to fit well. The tubular fin is made from thin, high-quality paperboard which can be found in most art supply stores. The fin tips and their tubes are then glued onto the tubular fin. All fin joints must be glue-filled for proper strength. There are 20 fin-joints, which makes 40 fillets. Whew!

A WINNER EVERY ISSUE!

You could be the winner of the "Rocket Times Design Contest" if you like to design your own rockets! Build your own imaginative "Bird" from Centuri Rocket Parts. Send us a photo of it along with a simple plan and parts list.

This is an on-going contest. Each winning entry is published in the next "Rocket Times"; the magazine packed into every regular mail-order shipment or the one which accompanies the mail-order catalog.

Prize

The winner will receive a prize of his or her choice... any ONE product from the current Centuri catalog! It can be any model rocket product we make...right up to the fantastic Saturn V kit!

Contest rules

1. Entries must consist of a photograph of the model, and a drawing which includes a parts list. Include your name and address.
2. Entries must be flight worthy and not to be copies of kit designs produced by model rocket manufacturing companies.
3. Entries become the property of Centuri and can not be returned or acknowledged.
4. Employees of model rocket companies and their families are not eligible to enter.
5. Entries will be judged on originality, neatness, practicality and completeness.
6. Do not send the actual model.
7. Send in as many DIFFERENT entries as you like, but don't send duplicates.
8. There is no deadline. A winner will be selected just before each issue of Rocket Times goes to press, and will be notified by mail.
9. Specify which prize you want if you win.

Send to: "Rocket Times" Design Contest
Centuri
P.O. Box 1988
Phoenix, Arizona 85001

DON'T FORGET THE PHOTO!

Design tips

Here's a bunch of helpful tips to give your entry a better chance of winning.

First, put your best effort into your entry. Take your time to do a good job, so our fussy judges will take a second look at your entry!

Second, use your imagination. Our judges say they don't want to see a bunch of plain, simple rocket-rockets... straight shafts with a few ordinary fins. There are many styles of rockets you could try: Sounding rockets, military missiles, science fiction types, humorous ones, etc. There are also many many physical types to consider: Multi-staged, boost gliders, clustered engines, unusually long, short or fat rockets. Try some really experimental ideas such as multiple body tubes & nose cones, non-symmetrical fin arrangements, different recovery systems, etc.

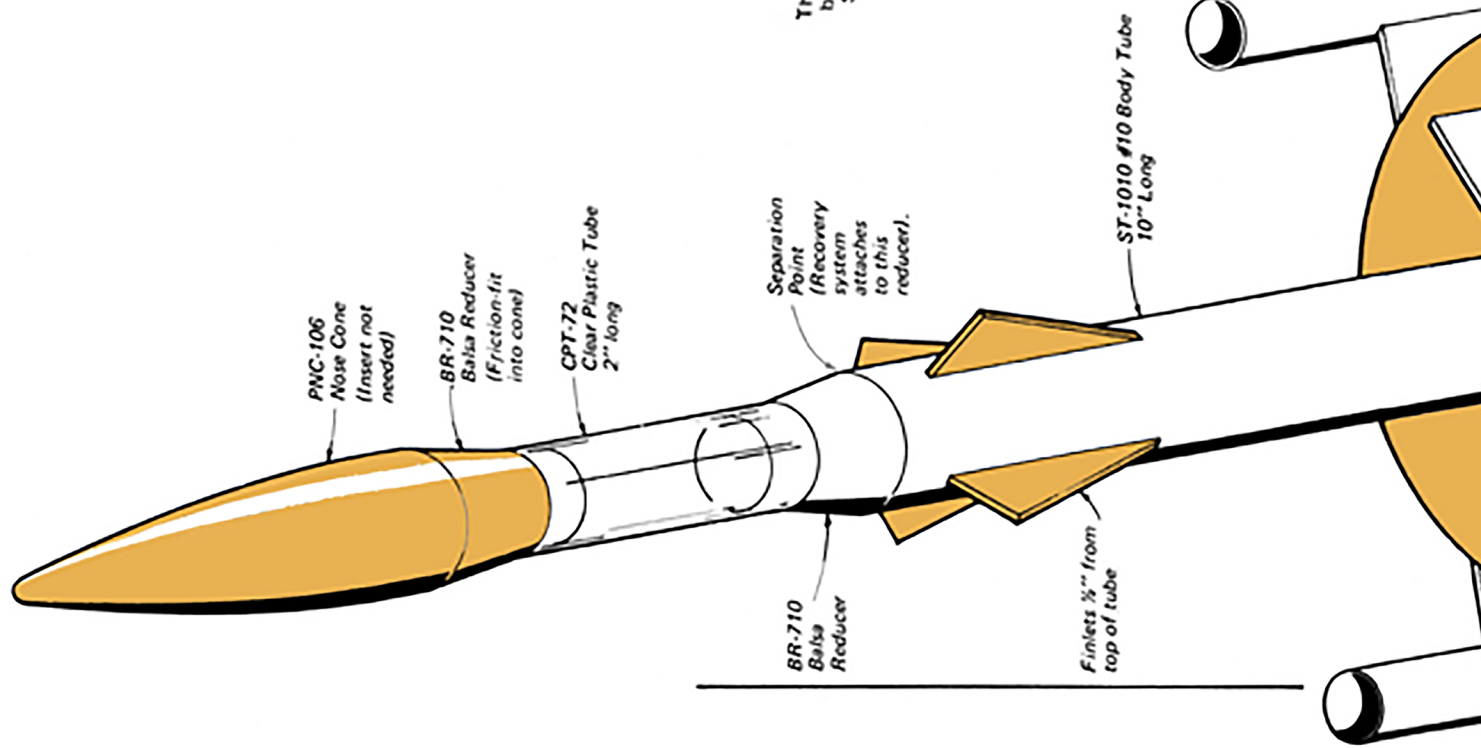
Third, use good engineering judgement. Avoid designs with large fins placed too far forward for flight stability. Choose from available parts whenever possible.

Finally, make sure your entry is clear and readable. The drawing, photo, and parts list do not have to be "works of art", but they should be understandable.

Designing and presenting a model rocket is good experience in learning how professional engineers, scientists, and artists work. Above all, have fun!

DESIGN CONTEST

Centuri Flying Model Rockets



The winner:

This issue's winning entry was designed and built by **SAMMY TURNER** of Bentonville, Arkansas. Sammy's unusual design is called the "U.S.S. CALYPSO", and won the prize of his choice: A "Saturn V" kit.

This design:

The "U.S.S. CALYPSO" is a little more challenging to build than it first appears. The large fins must be glued on neatly and accurately for the tubular fin to fit well. The tubular fin is made from thin, high-quality paperboard which can be found in most art supply stores. The fin tips and their tubes are then glued onto the tubular fin. All fin joints must be glued/ filleted for proper strength. There are 20 fin-joints, which makes 40 fillets. Whew!

A WINNER EVERY ISSUE!

You could be the winner of the "Rocket Times Design Contest" if you like to design your own rockets! Build your own imaginative "Bird" from Centuri Rocket Parts. Send us a photo of it along with a simple plan and parts list.

This is an on-going contest. Each winning entry is published in the next "Rocket Times"; the magazine packed into every regular mail-order shipment or the one which accompanies the mail-order catalog.

PRIZE

The winner will receive a prize of his or her choice... any ONE product from the current Centuri catalog! It can be any model rocket product we make...right up to the fantastic Saturn V kit!

Contest rules

1. Entries must consist of a photograph of the model, and a drawing which includes a parts list. Include your name and address.

2. Entries must be flight worthy and not to be copies of kit

2 1/8"

designs produced by model rocket manufacturing companies.

3. Entries become the property of Centuri and can not be returned or acknowledged.
4. Employees of model rocket companies and their families are not eligible to enter.
5. Entries will be judged on originality, neatness, practicality and completeness.
6. Do not send the actual model.
7. Send in as many DIFFERENT entries as you like, but don't send duplicates.
8. There is no deadline. A winner will be selected just before each issue of Rocket Times goes to press, and will be notified by mail.
9. Specify which prize you want if you win.

Send to: "Rocket Times" Design Contest

Centuri
P.O. Box 1988
Phoenix, Arizona 85001

DON'T FORGET THE PHOTO!

DESIGN tips

Here's a bunch of helpful tips to give your entry a better chance of winning.

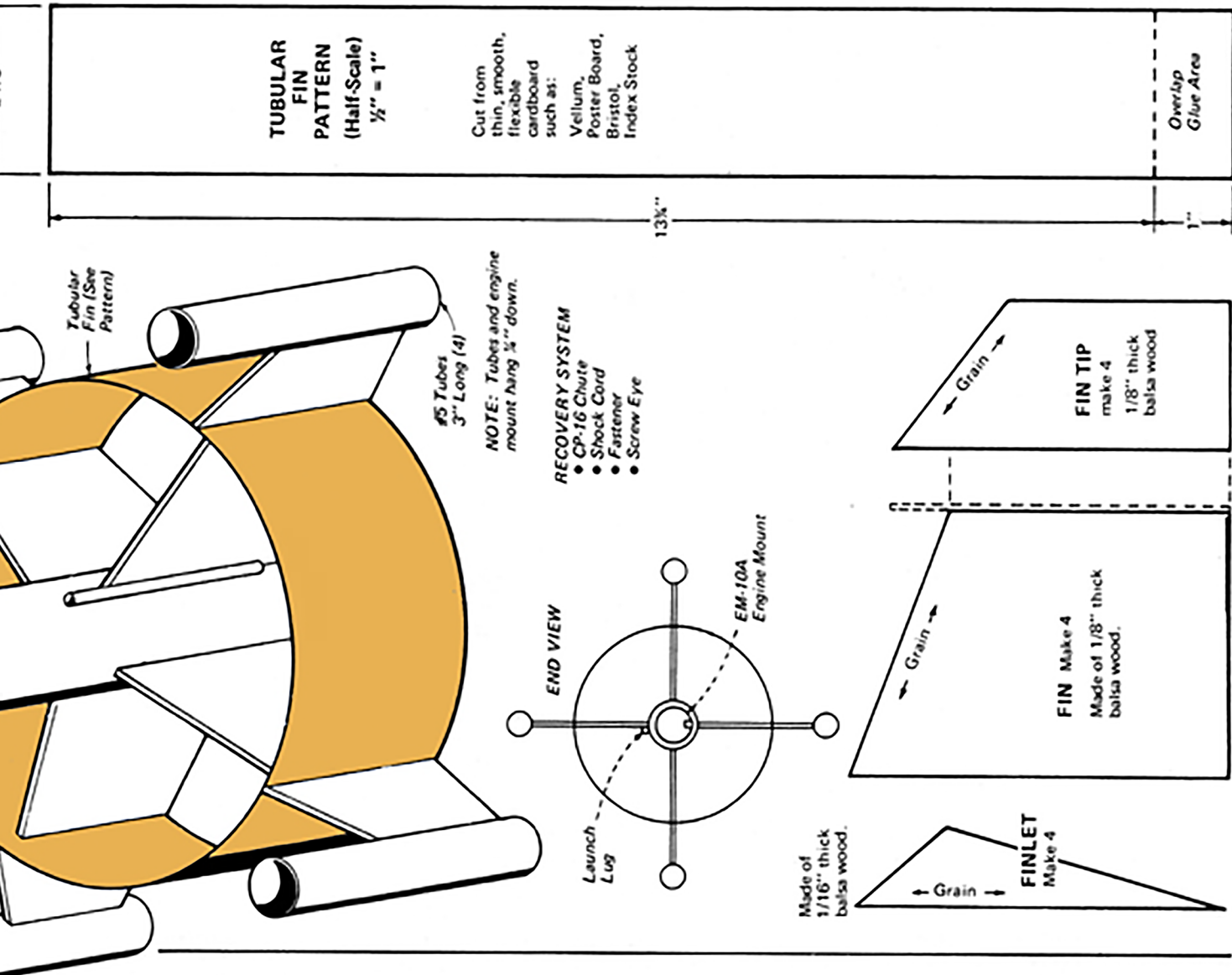
First, put your best effort into your entry. Take your time to do a good job, so our fussy judges will take a second look at your entry!

Second, use your imagination. Our judges say they don't want to see a bunch of plain, simple rocket-rockets... straight shafts with a few ordinary fins. There are many styles of rockets you could try: Sounding rockets, military missiles, science fiction types, humorous ones, etc. There are also many many physical types to consider: Multi-staged, boost gliders, clustered engines, unusually long, short or fat rockets. Try some really experimental ideas such as multiple body tubes & nose cones, non-symmetrical fin arrangements, different recovery systems, etc.

Third, use good engineering judgement. Avoid designs with large fins placed too far forward for flight stability. Choose from available parts whenever possible.

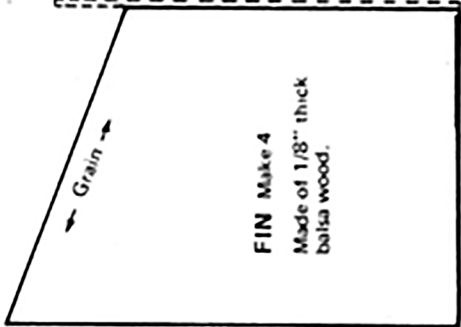
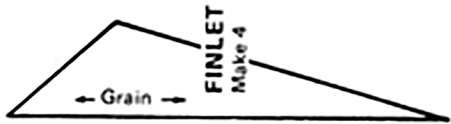
Finally, make sure your entry is clear and readable. The drawing, photo, and parts list do not have to be "works of art", but they should be understandable.

Designing and presenting a model rocket is good experience in learning how professional engineers, scientists, and artists work. Above all, have fun!



Full Size

Made of
1/16" thick
balsa wood.



Ring is 2-1/8" x 13-3/4"

