



PARTS OF A MODEL ROCKET

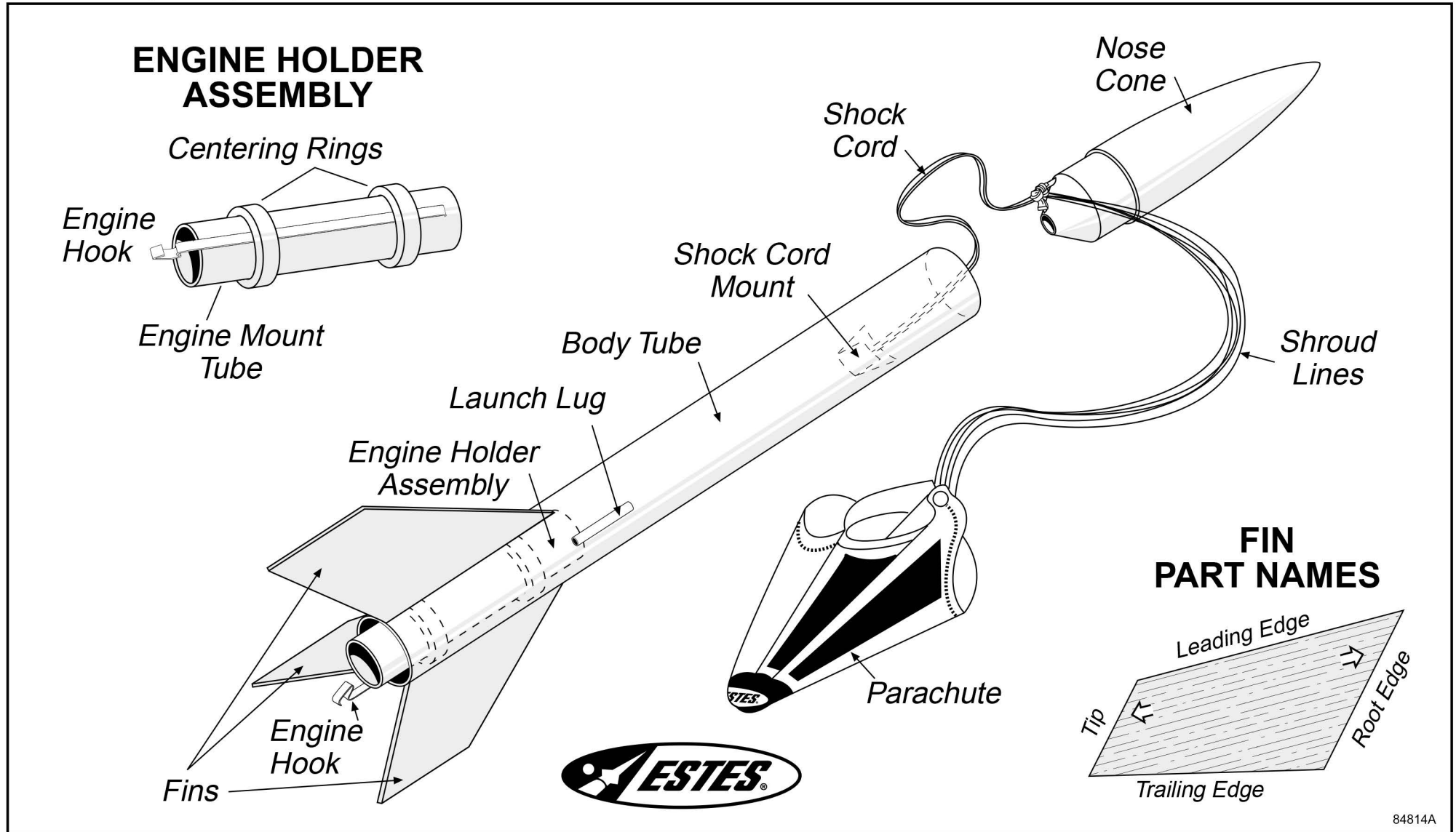


MODEL ROCKET FLIGHT PROFILE



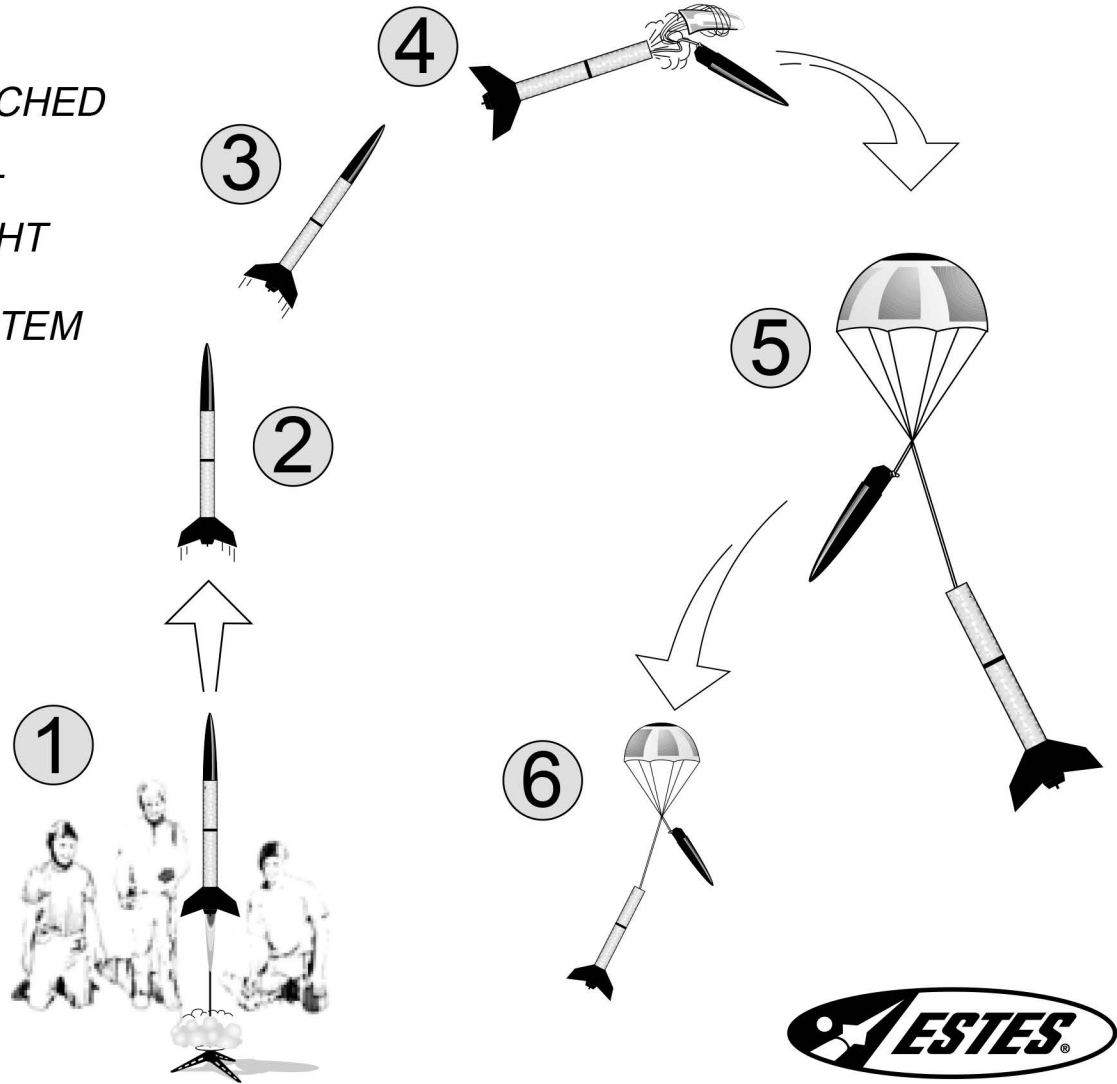
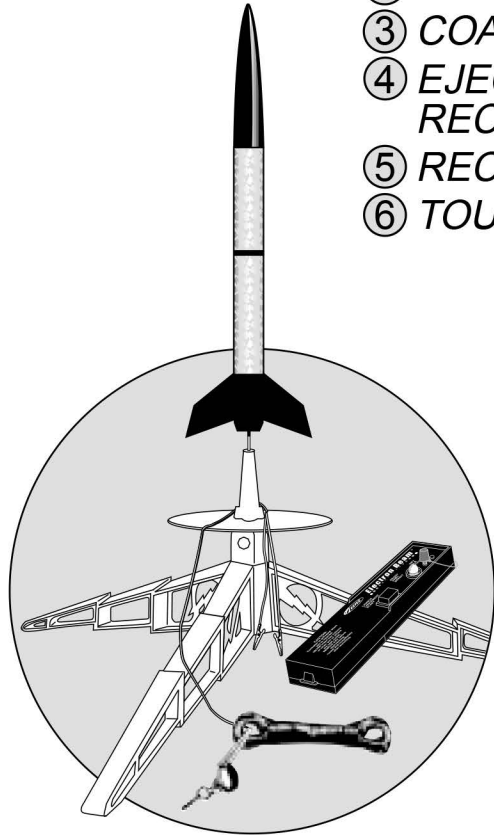
MODEL ROCKET ENGINES

IN SEARCH OF SPACE
POSTER SET #9024



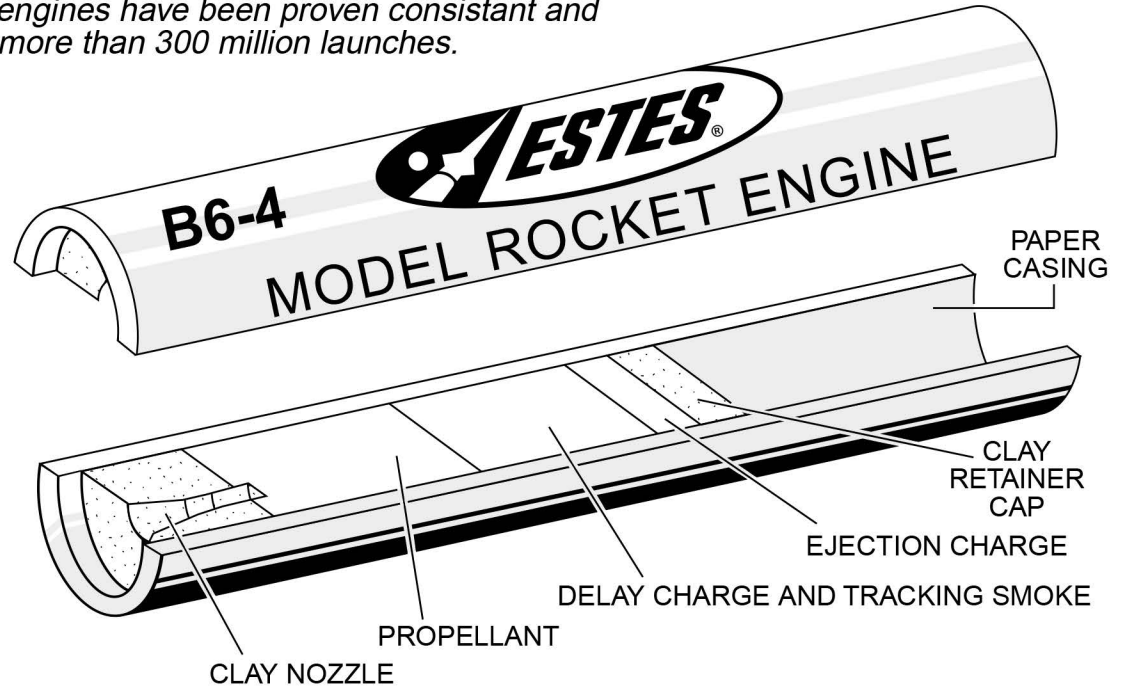
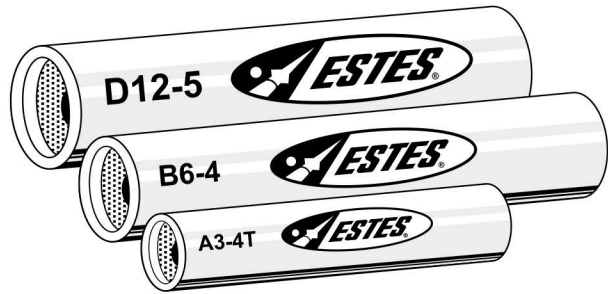
PARTS OF A MODEL ROCKET

- ① MODEL IS LAUNCHED ELECTRICALLY
- ② THRUST FLIGHT
- ③ COASTING FLIGHT
- ④ EJECTION OF RECOVERY SYSTEM
- ⑤ RECOVERY
- ⑥ TOUCHDOWN

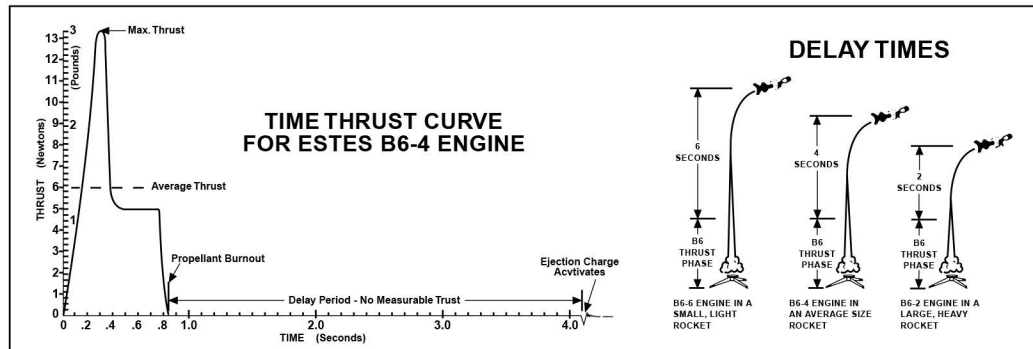


MODEL ROCKET FLIGHT PROFILE

Estes model rocket engines have been proven consistent and reliable in more than 300 million launches.



- B** Letter indicates total impulse or total power produced by the engine. Each succeeding "letter" has twice the power of the previous letter.
- 6** Number shows the engine's average thrust in Newton's or the average push exerted by the engine. (4.45 Newton's = 1 lb.)
Average thrust = Newton-seconds divided by thrust duration
- 4** Number of seconds between the end of thrusting and the ejection charge.



MODEL ROCKET ENGINES