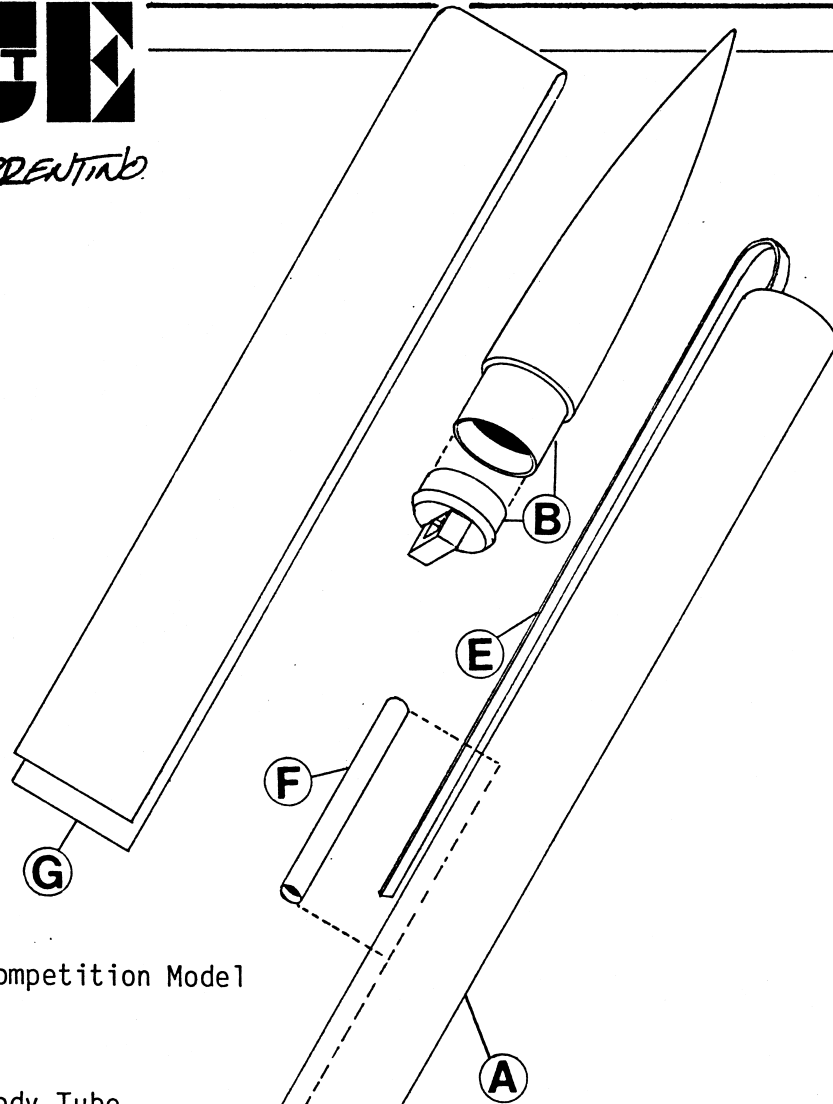


# ROGUE BANDIT

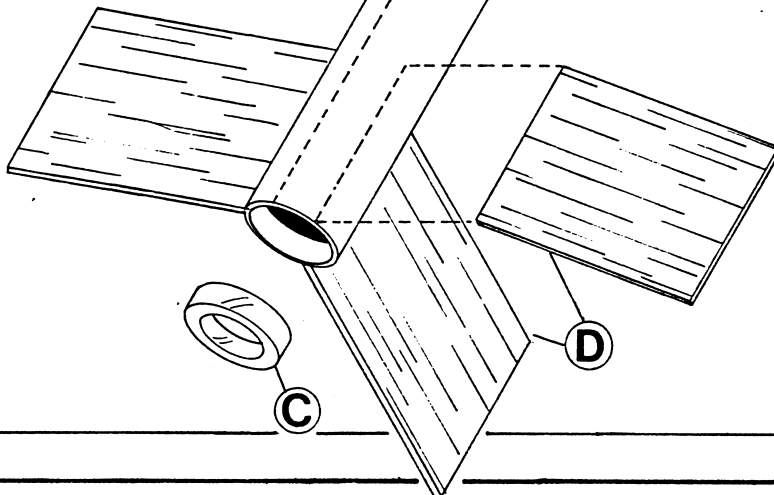
By NEVIN SORRENTINO



## ROGUE BANDIT - Competition Model

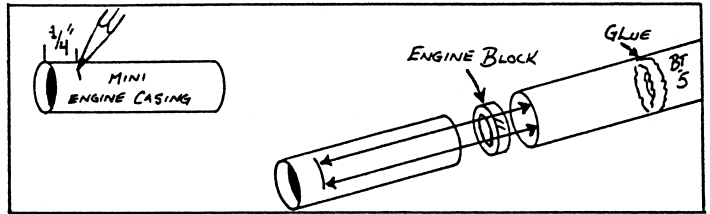
### PARTS LIST

- A. BT-5 (8") Body Tube
- B. PNC-54CE Nose Cone
- C. EB-5B Engine Block
- D. 1/16" Balsa Fin Stock
- E. SC-1 Shock Cord
- F. LL-2A Launch Lug
- G. SM-1 Streamer

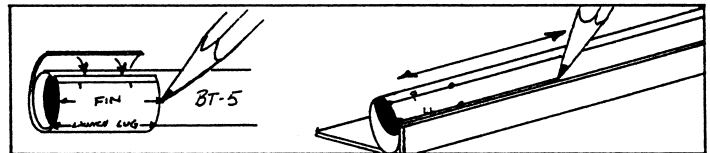


ROGUE BANDIT  
By Kevin Sorrentino

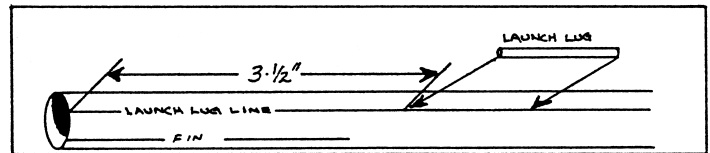
1. [ ] Take a dummy mini engine casing or a spent mini engine and measure and mark 1/4" from the end of the tube. Apply a bead of glue inside the body tube 1" from one end. Insert the engine block, and push it in with the dummy mini engine. DO NOT PUSH THE DUMMY ENGINE PASS THE 1/4" MARK. Once installed, remove the dummy mini engine.



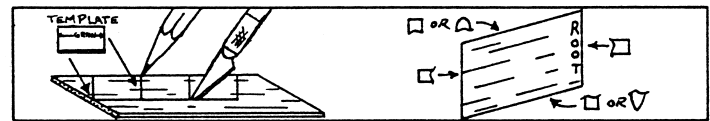
2. [ ] Lightly sand the body tube with an extra fine sandpaper. Cut out the fin marking guide. Wrap it around the body tube. Mark the body tube at the arrows. Remove the wrap and extend the lines the length of the body tube.



3. [ ] Measure and mark 3-1/2" up the launch lug line from the thrust end of the body tube. Run a bead of glue along the back of the launch lug and apply it to the body tube, bottom end of the launch lug even with the top of the mark along its line.



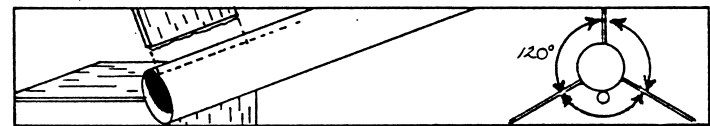
4. [ ] Cut out the fin template. Using the template as a guide, trace and cut from the balsa sheet three fins. Sand all edges smooth. If you wish, round the forward edge of the fin.



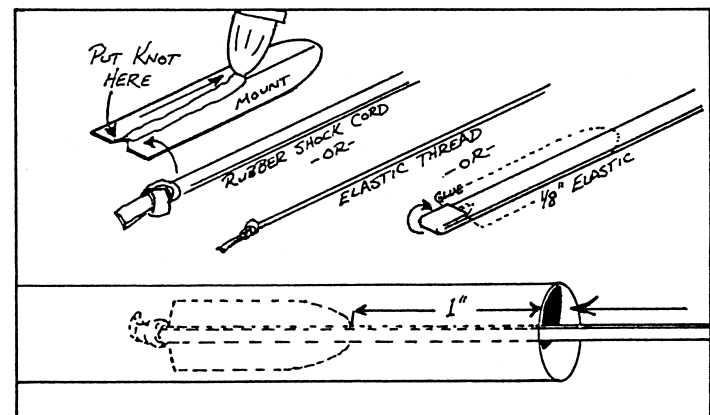
5. [ ] Rub glue into the root edge of the fins. Let dry. Lightly sand roughness left by glue smooth.



6. [ ] Run a bead of glue down the root edge of the fins. Align the root edges with the guide line at the thrust end of the body tube. Make sure that the fins are straight and true with their lines.

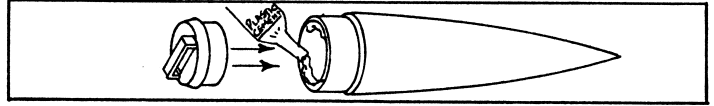


7. [ ] Cut out the shock cord mount. Take the shock cord and tie a knot in one end. Run a bead of glue across the line in the middle of the mount. Lay the cord across the line placing the knot passed the rounded end of the mount. Run another bead of glue over the shock cord/mount section. Carefully sliding the mount into the top of the body tube, glue the mount @ 1" below the top of the tube. (NOTE: If you are using 1/8" elastic rather than a rubber shock cord, instead of tying a knot into the end of the cord, dab a small spot of glue on one end of the elastic. Fold the end over and hold until the glue sets. Follow the rest of the instructions as shown.)

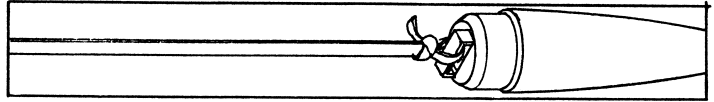


ROGUE BANDIT

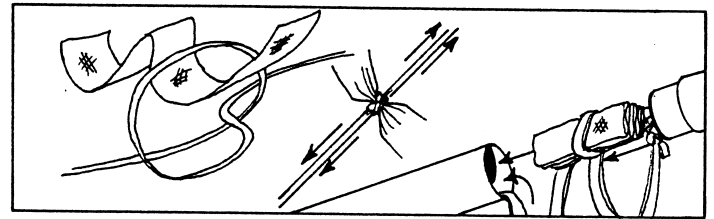
8. [ ] Run a bead of plastic glue into the inside base of the nose cone. Install the end cap into the nose cone.



9. [ ] Tie the end of the shock cord to the end cap on the nose cone.



10. [ ] Making a loop of the shock cord @ 1-1/2" from the nose cone, slide the end of the streamer into the loop. Tighten the loop until the streamer is held tightly by the shock cord. Trim the short end of the streamer so that it will not interfere with the shock cord. Fold the streamer and shock cord and insert into the body tube.



This model is a competition design. Finishing and painting is up to the builder.

PHOTO COPY THIS PAGE.  
USE PHOTOCOPIES FOR TEMPLATES & MOUNTS.

