

FOURTH WORLD SPACE MODELING CHAMPIONSHIPS

From September 7th through 12th, 1980 the National Association of Rocketry hosted the Fourth World Space Modeling Championships at the US Naval Air Engineering Center at Lakehurst, NJ. This was the first time that the United States hosted the "Internats" and the meet attracted contestants from 8 countries, including the US, Canada, Spain, West Germany, Great Britain, Australia, Bulgaria and Poland.

Centuri and other model rocket companies helped raise money for the contest and the US Team's expenses by selling the official meet patch and by conducting a special Nostalgia Sale. Major funding for the meet was provided by the Hobby Industry Association of America (HIAA).

The US Team was selected in a special fly-off competition after the 1979 US National Model Rocket Championships (NARAM-21). Since that time (August, 1979) the members of the US Team put in many long hours of design and test flying getting ready for the meet. The work paid off.

Centuri participated in the opening ceremonies on September 8, 1980 with a spectacular flight demo. After that it was down to the business of world competition. The contest had an "Olympic" feeling to it as each nation tried to win the gold medal in each of the six events.



Team members from Great Britain prepare their boost glide entry.

The US Team did exceptionally well, bringing home a total of six gold medals, seven silver and three bronze medals. In addition, the US Team won the overall Team Championship for the meet, the world championship of model rocketry!

The US did very well in streamer duration, payload and scale altitude, taking gold medals in all three events. They took silver and bronze medals as well as team gold medals in payload and scale altitude.

The scale competition went to the Bulgarians who flew

three beautifully scaled replicas of the Soviet Soyuz launch vehicle. The Bulgarians also took the gold in boost glider, beating out 1978 World Champ "Guppy" Youngren in a closely fought fly-off after each country turned in three "max" flights in regular competition.

All in all the meet was a great deal of fun and offered the opportunity for many American rocketeers to make friendships with their counterparts in other parts of the world. Everyone looks forward to the Fifth World Championships, now scheduled for 1982.



A Bulgarian team member slides his 1st place winning scale model of the Russian Soyuz on to the launcher.



A Bulgarian team member lights a "DT" fuse on his boost glide entry.



US Team members search for thermals so they can achieve a "max" time with their RC glider entries.

CARTOON CONTEST



This issue's Cartoon Contest winner is Sam Lowe of Louisville, KY. Sam's mystery prize is an Eagle Transporter kit, Centuri's version of the ones seen in the science fiction show *SPACE: 1999*.

Want to see your cartoon published? Just draw a funny cartoon about model rocketry and send it to the Editor: *Rocket Times*. Each issue we pick the one most suitable for publication and award a "Mystery Prize".

DON'T MISS AN ISSUE...

Rocket Times is now published four times per year. In order to receive each issue, and to get in on mailings with exciting special sales and offers you must be an active Centuri mail-order customer. This requires you to have placed an order for Centuri merchandise within the past four months.

Remember, in addition to the great bargains described in this catalog, every Centuri order receives a free T-shirt

iron-on. There are four different types of these 2-color iron-ons, and we'll pick one at random and include it in every mail order. Be sure to collect all four.

If you would like to see additional features in *Rocket Times*, drop a line to Editor: *Rocket Times*, PO Box 1988, Phoenix, AZ 85001. We'll read each suggestion and who knows, maybe yours will be used.



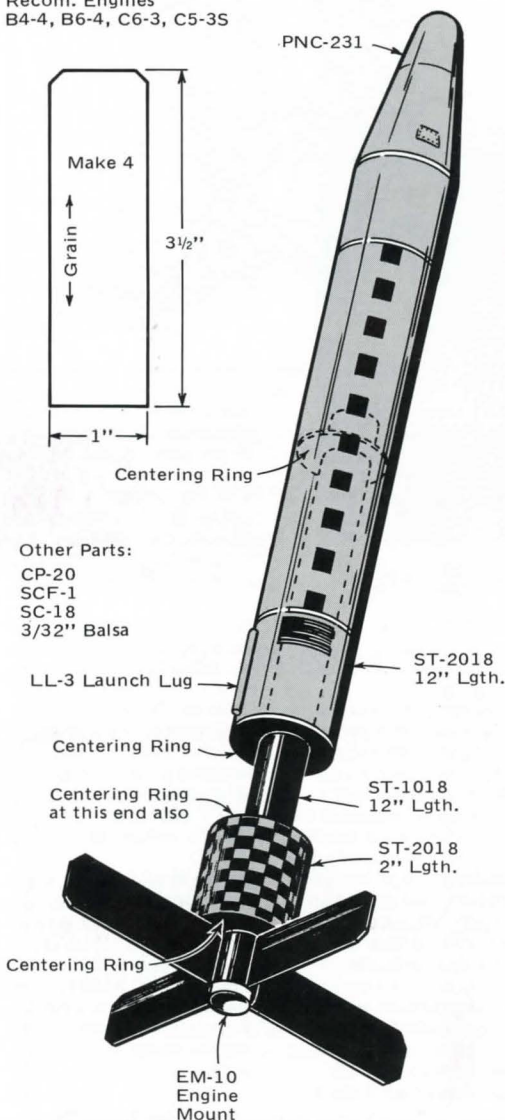
Design Contest Winner

See current catalog's *Rocket Times* for rules on this permanent contest.

SHAYLA Intragalactic Missile

Designed and built by
Jon Williams, Tempe, AZ

Recom. Engines
B4-4, B6-4, C6-3, C5-3S



Other Parts:

CP-20
SCF-1
SC-18
3/32" Balsa

NEW

DISPLAY STAND CONTEST

\$25.00

MERCHANDISE CERTIFICATE

Do you have a unique way to display model rockets? Enter your design for a display stand and you may win a \$25.00 Centuri merchandise certificate if your entry is one of the top 5.

CONTEST RULES

1. Enter any display stand design you wish.
2. Each entry must include a drawing or diagram of the stand and a parts list. Instructions and photo are not required but may be helpful.
3. Please do not send the actual display stand.
4. Display stands must be designed from readily available hobby materials such as balsa, wood scraps, leftover model rocket parts, parts from plastic model kits, etc.
5. All entries become the property of Centuri Engineering Co. and cannot be returned.
6. Employees of Centuri Engineering Co. and members of their immediate families are not eligible.
7. Enter as often as you like.
8. Entries will be judged for originality of design, use of materials, neatness and completeness.
9. A \$25.00 merchandise certificate will be awarded to each of the 5 best entries.
10. Winners will be announced in a future issue of *Rocket Times*.
11. Be sure to include your name, address, city, state, zip code and age with each entry.
12. Mail entries to:
CENTURI
Display Stand Contest
PO Box 1988
Phoenix, AZ 85001
13. Deadline for entries is April 30, 1981.