

ROCKET TIMES

Spring, 1982 #23

Centuri

NARAM-23

The National Association of Rocketry held the 23rd U.S. Model Rocket Championships (NARAM-23) from August 3 through 7, 1981 at Allentown College in Center Valley, PA. This was the second time NARAM had visited Allentown College; in 1976 NARAM-18 was held on the same site.

Rocketeers from all over the United States gathered for the week-long activities of competition and good times. Centuri was represented and put on a spectacular demonstration on Sunday, August 2nd. Along with a selection of their most popular models, Centuri flew many of their new products. (See photo of Jayhawk lift-off.)

NARAM is really the final opportunity for the best competitors in the United States to win points toward the national championships. It is the most important meet of the year and competition was fierce. Twelve events were held at NARAM this year, including 1/2A International Streamer Duration, A Helicopter Duration, B Altitude, B Payload, 1/2A Boost/Glider Duration, E Free-Flight Boost/Glider Duration, E RC Boost/Glider Duration, 1/2A International Parachute Duration, A Rocket/Glider Duration, D Scale Altitude and Research and Development.



Chris Mund of New Jersey reads his Boost/Glider.

—Photo © Alan Williams

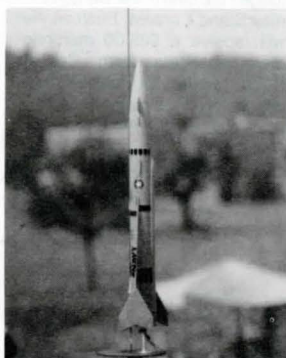


Sally Loman with her Parachute Duration model.

—Photo © Alan Williams

The national champions were chosen in three age divisions. They are: Pat Peterson, Schaumburg, IL (A Division), George Riebesehl, Jr., Schaumburg, IL (B Division), and Art Rose, New City, NY (C Division).

Anyone can attend a NARAM to watch the contest and competition is open to all NAR members. Maybe someday, you'll compete in a NARAM too. The first step is to join the NAR (See page F for mem-



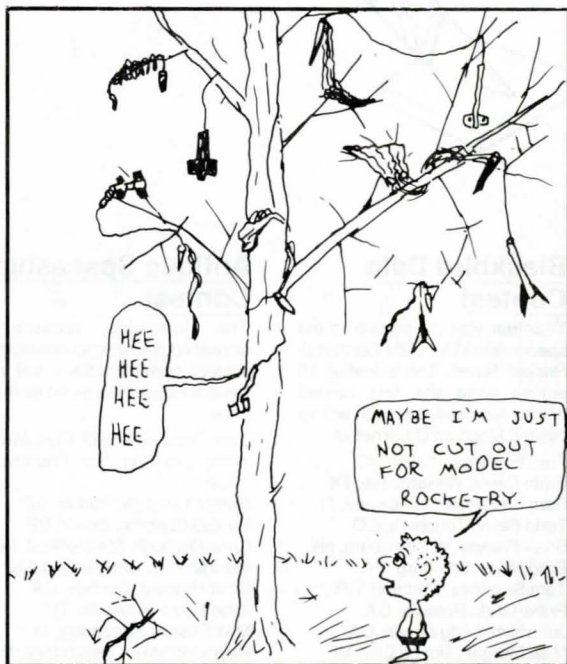
Centuri Magnum D Jayhawk lifts off during Sunday's demonstration flights.

—Photo © Alan Williams

bership application). After that, join an NAR section and start competing. You may end up a national champion!

Cartoon Contest

This issue's Cartoon Contest winner is Steve Rowles of Center Valley, PA. Steve wins a Centuri SSV Scorpion Super Kit as his mystery prize.

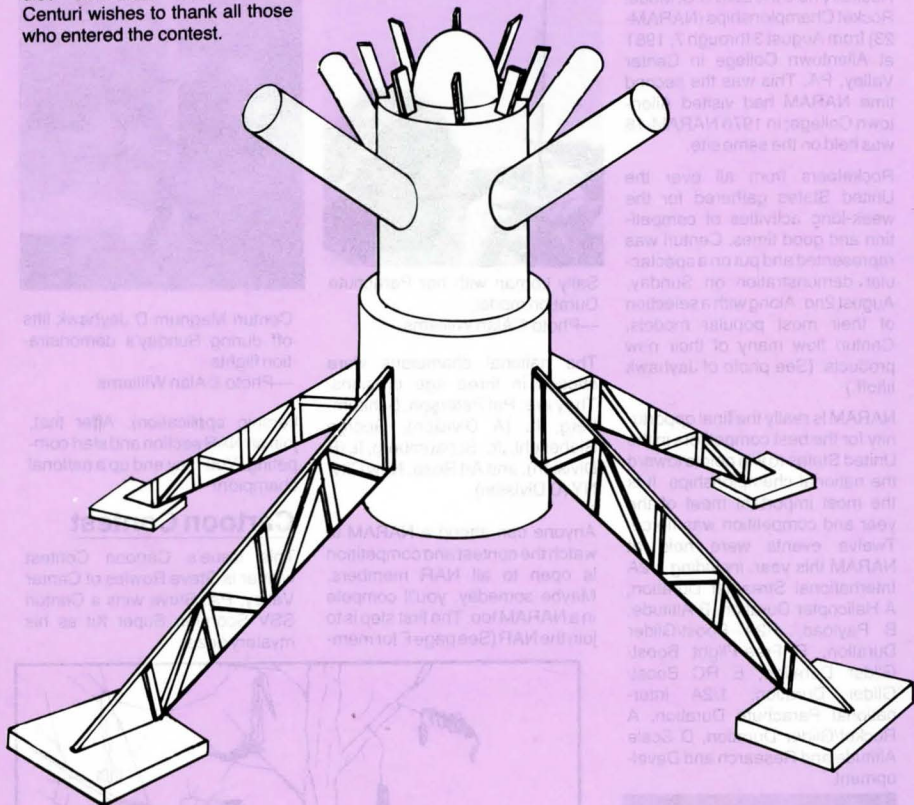


PAGE B

Display Stand Contest

The following five entries were judged the best in the Centuri Display Stand Contest. Each winner will receive a \$25.00 merchandise certificate from Centuri. Centuri wishes to thank all those who entered the contest.

Stuart Tapper, Akron, OH
Paul Mobley, Lake Preston, SD
Arnold Garcia, Tampa, FL
Collin McNally, Fort Quappelle, Sask., Canada
Sam Lowe, Louisville, KY



Blackbird Data Contest

Titanium was the answer to the special Blackbird Data Contest in Rocket Times. The following 10 entries were the first correct entries received and each will receive a Magnum D Hornet kit.

Fred Edwards, Staley, NC
Brian Davis, Waxahachie, TX
Sam Shearman, Longwood, FL
Todd Berry, Trinchera, CO
Brian Francis, Williamsburg, NY
Brad Miller, Edinburg, PA
Tom Swennes, Portland, OR
Robert Kirk, Roswell, GA
John Kim, Long Beach, CA
Mike Morgan, Boyne City, MI

Antique Spaceship Contest

The following rocketeers answered our Antique Spaceship contest correctly. Each will receive a Space Shuttle kit as their prize.

John Titus, Yarmouth Port, MA
Wong Chi Ling, San Francisco, CA
Randy Turnbow, Parker, AZ
Ronald Boehme, Dover, DE
Chris Danforth, Marblehead, MA
Marc Mettes, Chesterfield, MO
Scott Howard, Cordele, CA
John Hood, Knoxville, TN
Matt Cesnik, Speedway, IN
Raymond Miller, Fairchance, PA

Barton Blubaugh, Macedonia, PA
John Urwin, Seneca Falls, NY
John Patrick, Decatur, IL
Jay Urania, Norfolk, VA
Mike Bleyle, Hudson, OH
Kevin Hobbes, Hunover, CN
Alex Artega, McAllen, TX
Fred Gentry, Winston Salem, NC
John Vegher, San Pedro, CA
Doug Sandorf, Richfield, OH

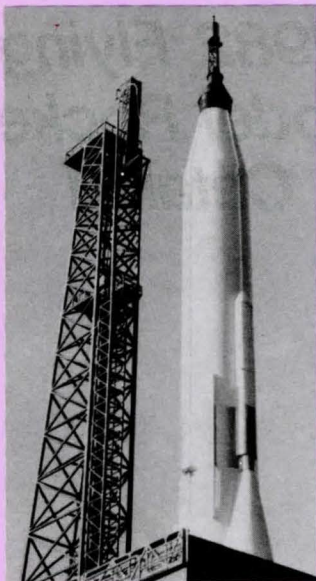


Photo Contest

The Winner of the photo contest in this issue is Mark Baumann of Galena, KS. Mark's photo is of a 1/36th scale Mercury Atlas he constructed along with a scale gantry made of balsa sticks and blocks. His prize is a \$25 Centuri Merchandise Certificate.

Design Contest

You could be a winner in Centuri's Design Contest. Build your own imaginative rocket from Centuri parts.

CONTEST RULES

1. Entries must consist of a photograph of the model and a drawing which includes a parts list and your name and address.
2. Entries must be flight worthy and not copies of kit designs produced by model rocket manufacturing companies or other published designs.
3. Entries become the property of Centuri and cannot be returned.

4. Employees of model rocket companies and their families are not eligible.
5. Entries judged on originality, neatness and completeness.
6. Do not send the actual model.
7. Send as many DIFFERENT entries as you like, but no duplicates.
8. There is no deadline. A winner is selected twice yearly and notified by mail.
9. Specify which prize you want.

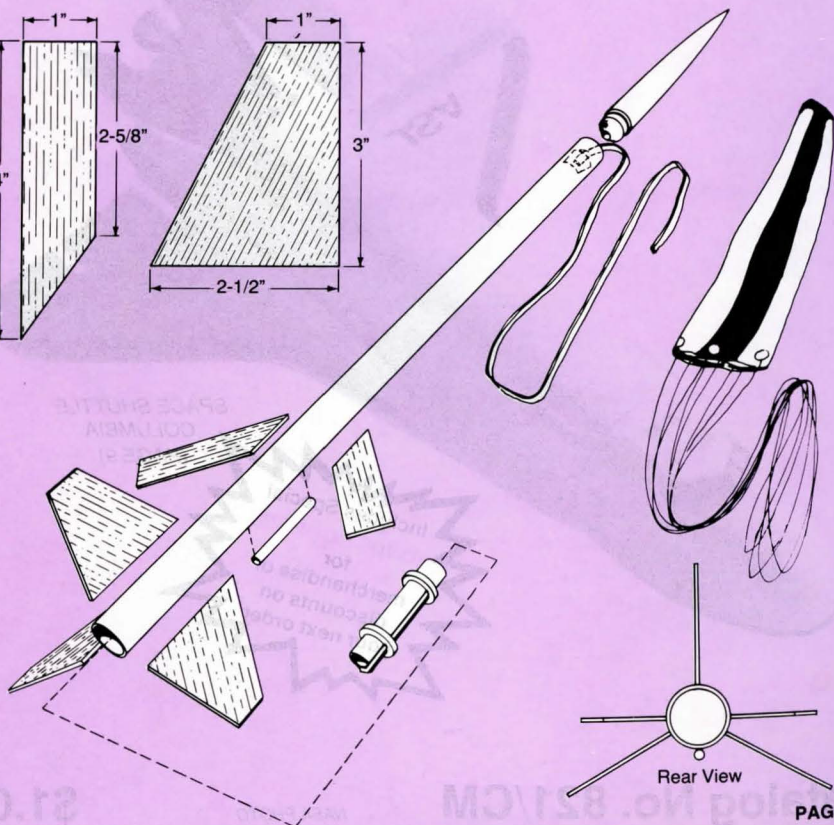
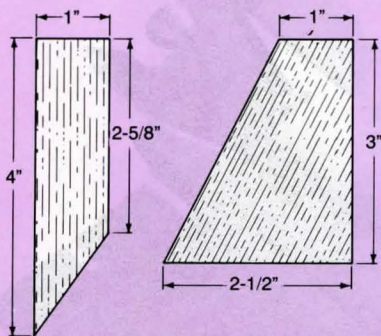
10. Send your entry to:
 Design Contest
 Centuri
 P.O. Box 1988
 Phoenix, AZ 85001

PRIZE

The winner will receive a prize of his or her choice . . . any ONE product from the current Centuri catalog! It can be any model rocket product we have . . . right up to the fantastic Saturn V.

The winner of the Design Contest is Robert Johnson of Chillicothe, IL. Robert chose the Apollo Saturn V as his prize.

ALPHA-C



Rear View