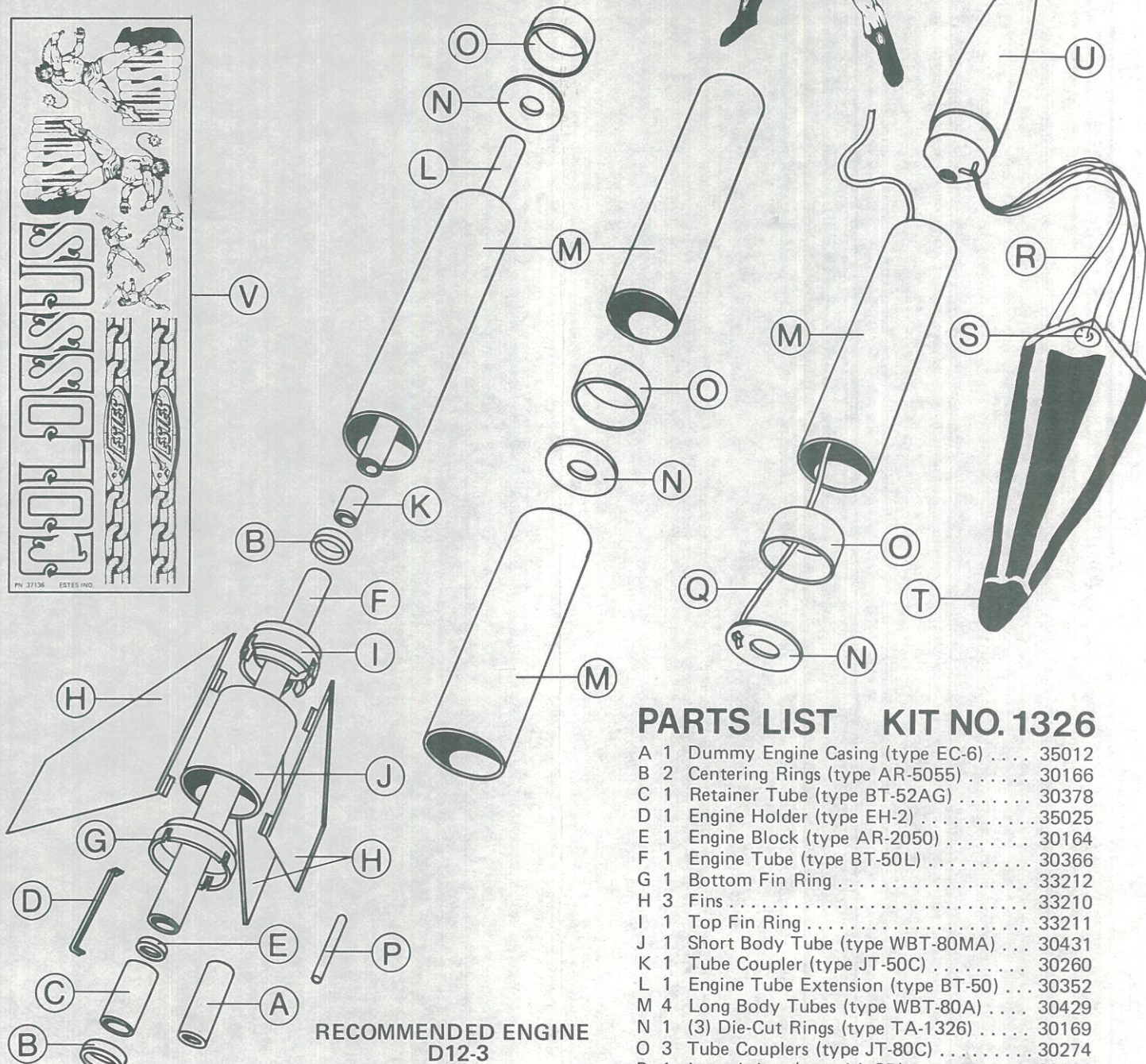
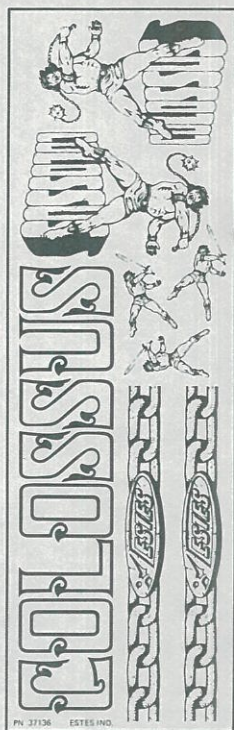


COLOSSUS



SKILL LEVEL 2
Recommended for
Intermediate
Rocketeers



PARTS LIST KIT NO. 1326

A	1	Dummy Engine Casing (type EC-6)	35012
B	2	Centering Rings (type AR-5055)	30166
C	1	Retainer Tube (type BT-52AG)	30378
D	1	Engine Holder (type EH-2)	35025
E	1	Engine Block (type AR-2050)	30164
F	1	Engine Tube (type BT-50L)	30366
G	1	Bottom Fin Ring	33212
H	3	Fins	33210
I	1	Top Fin Ring	33211
J	1	Short Body Tube (type WBT-80MA)	30431
K	1	Tube Coupler (type JT-50C)	30260
L	1	Engine Tube Extension (type BT-50)	30352
M	4	Long Body Tubes (type WBT-80A)	30429
N	1	(3) Die-Cut Rings (type TA-1326)	30169
O	3	Tube Couplers (type JT-80C)	30274
P	1	Launch Lug (type LL-3B)	38166
Q	1	Shock Cord (type SC-2MJ)	85738
R	1	Shroud Line (type SLT-144)	38241
S	6	Tape Discs (type TD-3F)	38406
T	1	Parachute (type PK-24A)	85568
U	1	Nose Cone (type PNC-80KR)	71034
V	1	Decal (type KD-1326)	37136

**RECOMMENDED ENGINE
D12-3**

IMPORTANT: Read each assembly step thoroughly before doing the work for that step. Test fit parts before applying any glue. If necessary, lightly sand the inside edge of the tube ends to insure a good slip fit. Do not attempt to build this model with any cement other than the type indicated.



A DAMON COMPANY

ESTES INDUSTRIES
PENROSE, CO 81240 USA

TOOLS AND MATERIALS

In addition to the parts included in this kit you will need "white" glue (such as Elmer's, Wilhold, etc.), a modeling knife, masking tape, fine sandpaper, pencil & ruler.